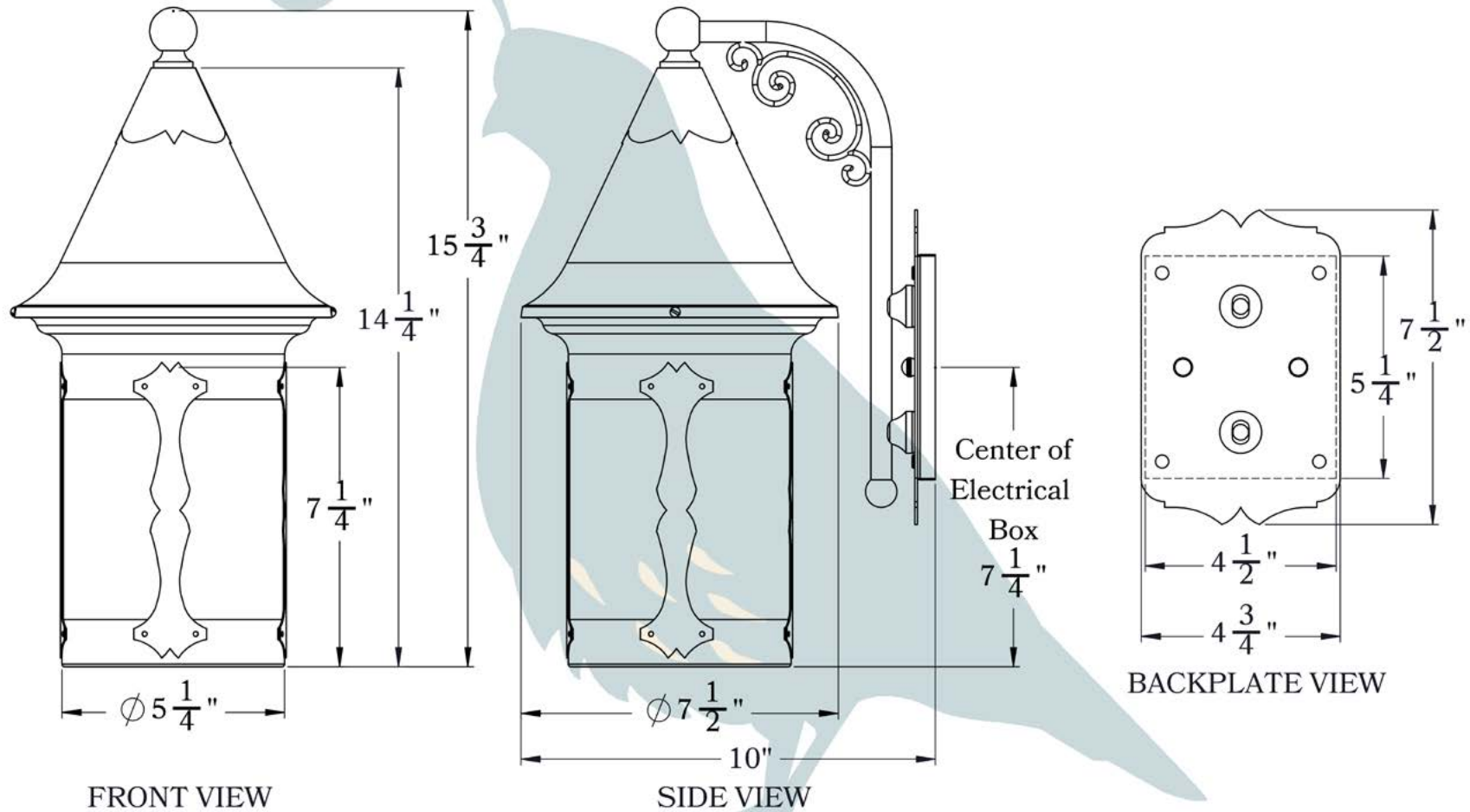




THE CASTLE HILL SERIES
Curved Arm Sconce
MEDIUM

OLD CALIFORNIA
FINE LIGHTING &
HOME GOODS

Medium



975 N ENTERPRISE ST • ORANGE, CA 92867

PRODUCT No.	1013-1	LAMP BASE	Medium Base (E26)
TITLE	Castle Hill	MAX WATTAGE	100W
UL RATING	Wet	VOLTAGE	120V

PROPRIETARY AND CONFIDENTIAL
 The information contained in this drawing is the sole property of Old California. Any reproduction in part or as a whole without written permission from Old California is prohibited.

DIMENSIONS

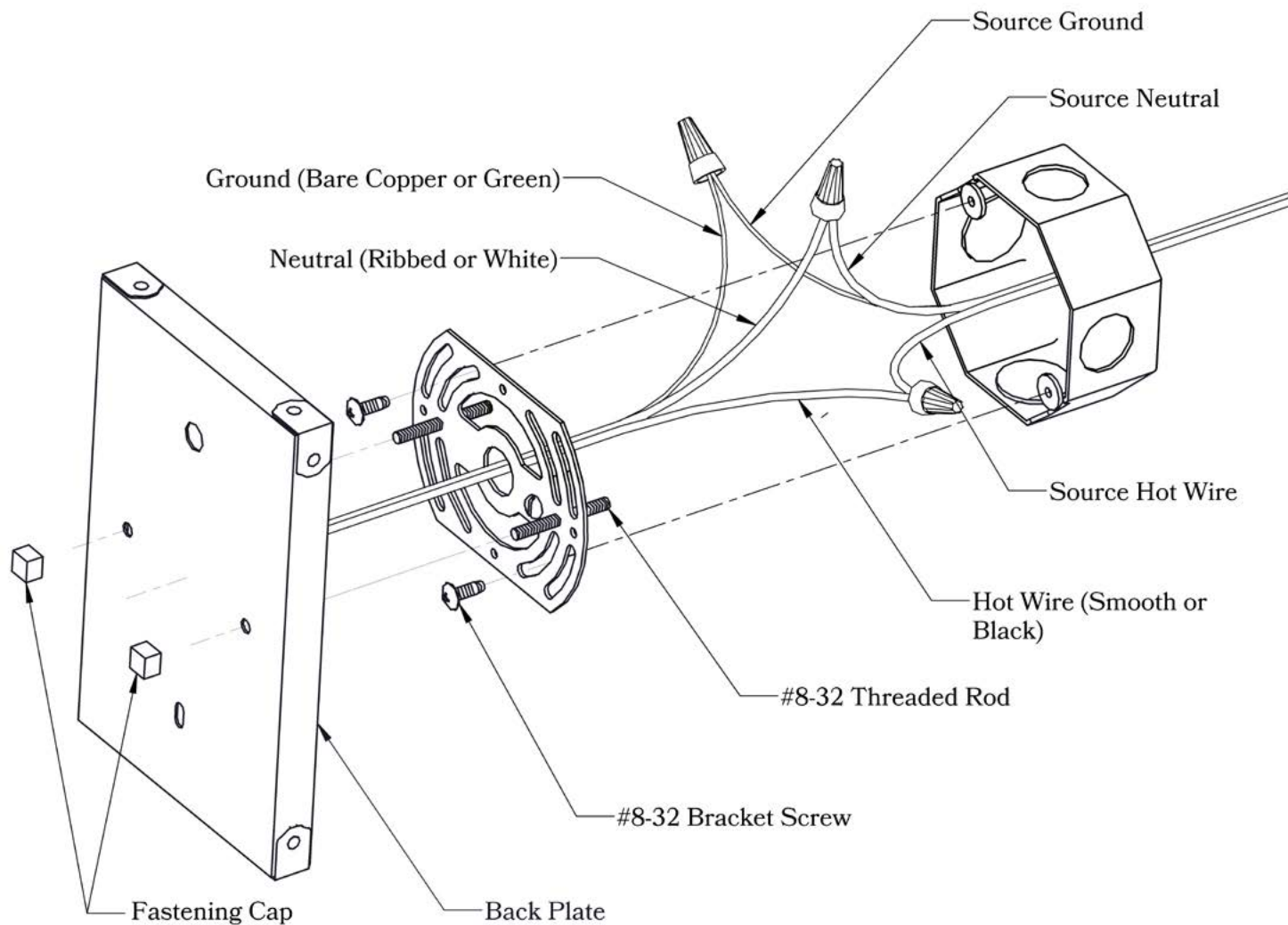
Roof Width	7 1/2"
Body Width	5 1/4"
Lantern Height	14 1/4"
Height	15 3/4"
Projection	10"
Mounting Plate	4 3/4" x 7 1/2"

ELECTRICAL SPECS

UL Rating	Wet
Voltage	120V
Socket Type	Medium Base - E26
Number of Light Bulbs	1
Max Wattage per Bulb	100W
LED Bulb	Supplied
Dimmable	Yes

ADDITIONAL INFORMATION

Manufacturer	Old California
Mounting Location	Interior and Exterior
Material	Brass
Multiple Overlay Options	No
Bottom Glass Panels	No

MOUNTING INSTRUCTIONS • Wall Mount With Caps**CAUTION—DISCONNECT POWER**

Always shut off power when installing or repairing this (or any other) electrical appliance. Failure to do so may result in severe injury or death. This product must be installed in accordance with applicable installation codes by a person familiar with the construction and operation of the product, and the hazards involved.