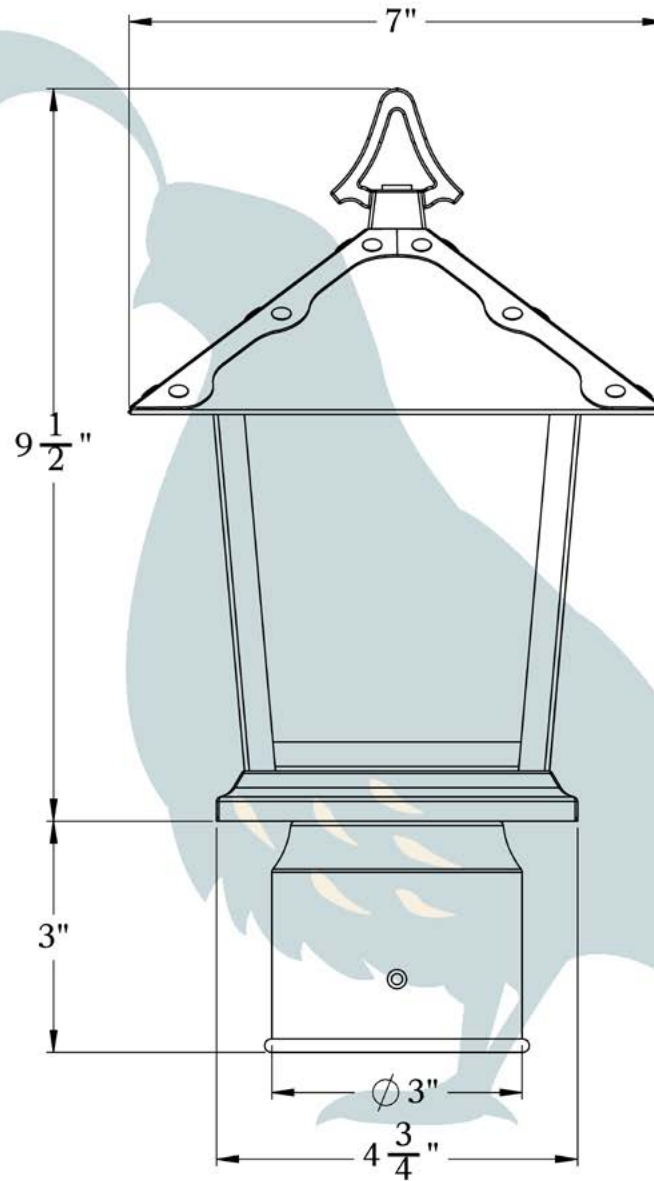




THE SPRING STREET SERIES
Post Mount Lantern
SMALL

OLD CALIFORNIA
FINE LIGHTING &
HOME GOODS

Small



OLD CALIFORNIA
 975 N ENTERPRISE ST • ORANGE, CA 92867

PRODUCT No.	1022-3	LAMP BASE	Medium Base (E26)
TITLE	Spring Street	MAX WATTAGE	60W
UL RATING	Wet	VOLTAGE	12V or 120V

PROPRIETARY AND CONFIDENTIAL
 The information contained in this drawing is the sole property of Old California. Any reproduction in part or as a whole without written permission from Old California is prohibited.

DIMENSIONS

Roof Width	7"
Body Width	4 3/4"
Lantern Height	9 1/2"
Height	12 1/2"
Mounts To	3" Diameter Post

OVERLAYS AVAILABLE IN THIS SERIES



Trellis



Lattice



Cross



Trellis with Ivy



Lattice with Ivy



Glass Only

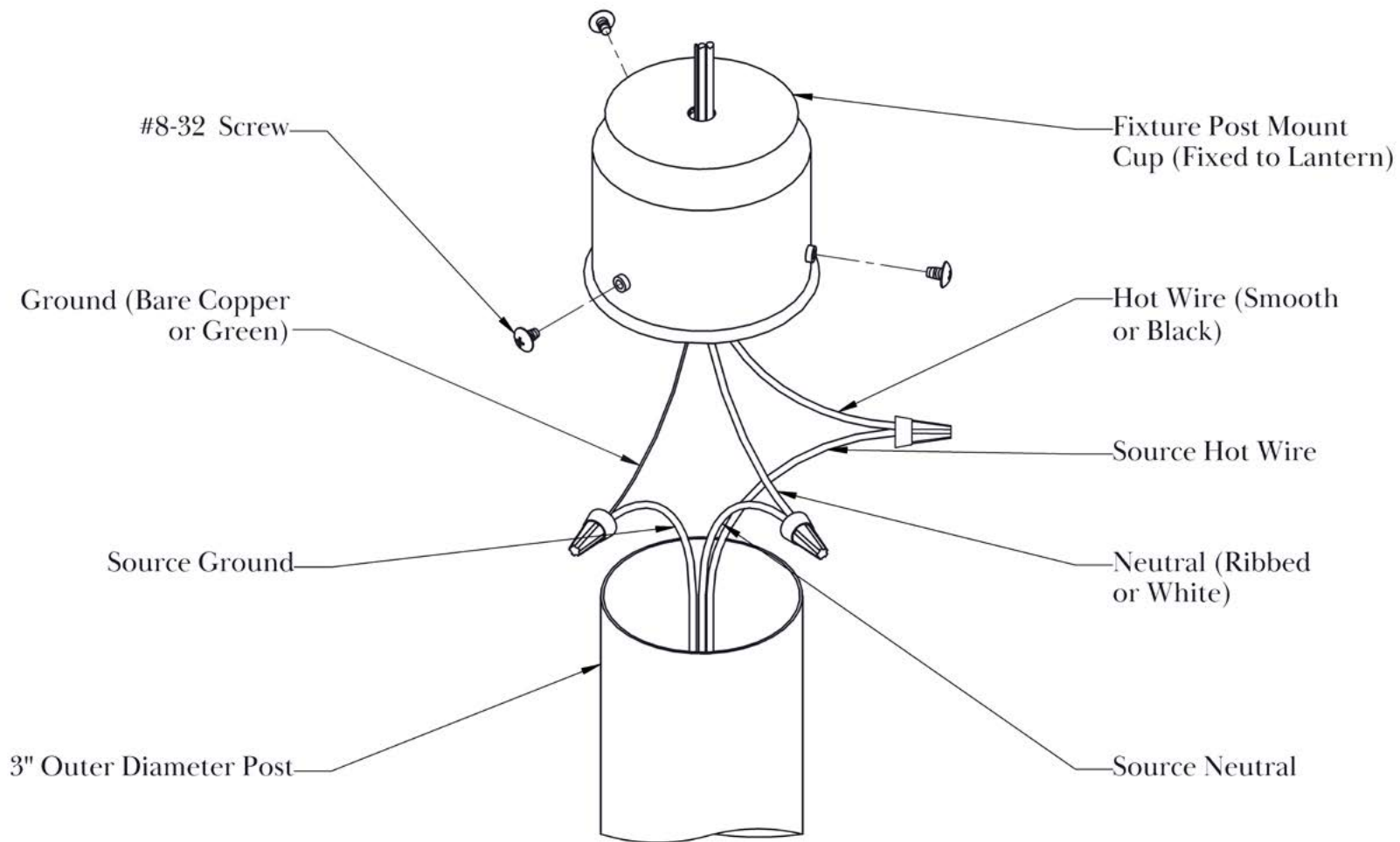
ELECTRICAL SPECS

UL Rating	Wet
Voltage	12V or 120V
Socket Type	Medium Base - E26
Number of Light Bulbs	1
Max Wattage per Bulb	60W
LED Bulb	Supplied

ADDITIONAL INFORMATION

Manufacturer	Old California
Mounting Location	Exterior Only
Material	Brass
Multiple Overlay Options	Yes
Optional Post Available	Yes

MOUNTING INSTRUCTIONS • 3-inch Metal Post



CAUTION—DISCONNECT POWER

Always shut off power when installing or repairing this (or any other) electrical appliance. Failure to do so may result in severe injury or death. This product must be installed in accordance with applicable installation codes by a person familiar with the construction and operation of the product, and the hazards involved.