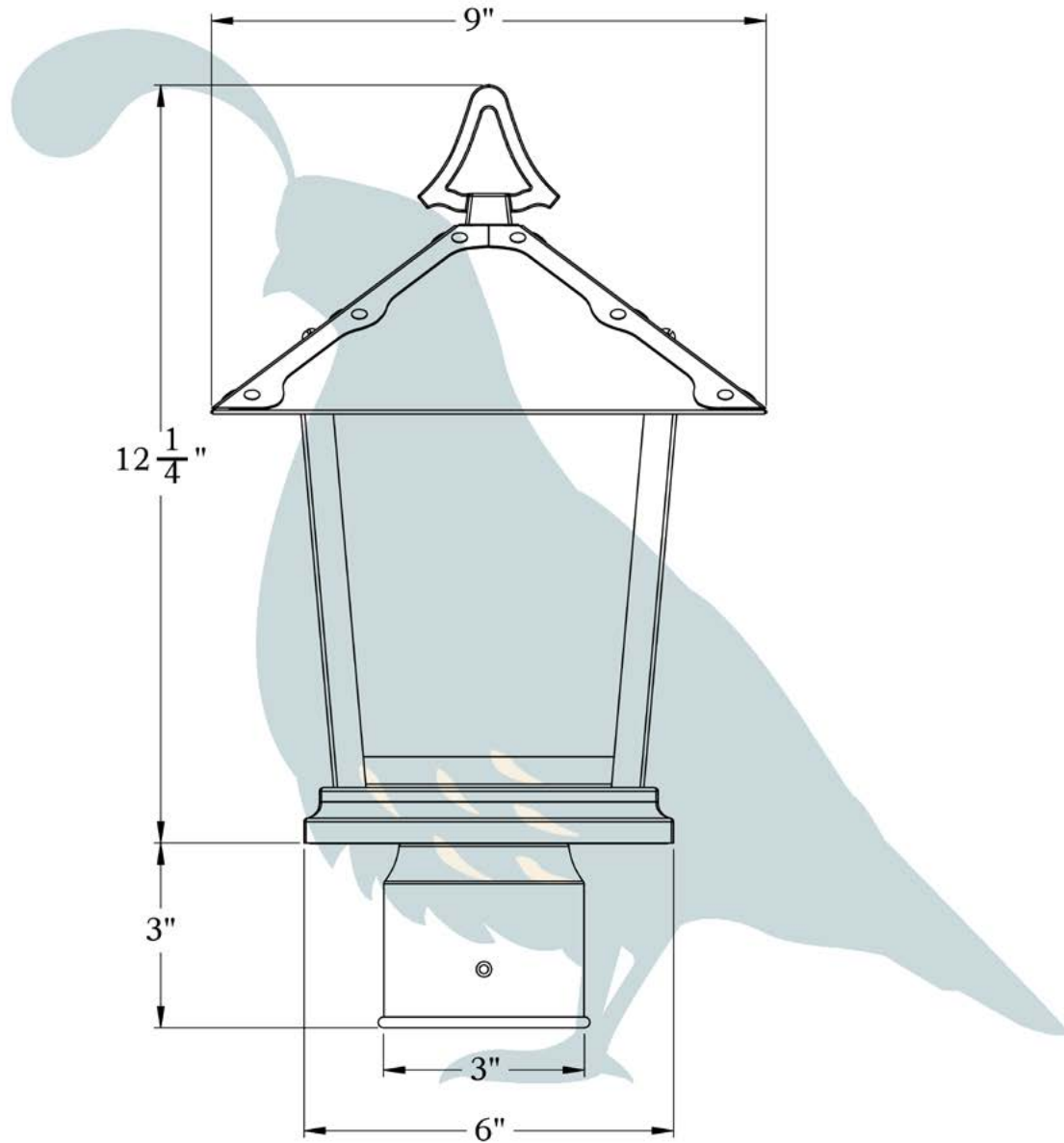




THE SPRING STREET SERIES  
**Post Mount Lantern**  
MEDIUM

**OLD CALIFORNIA**  
FINE LIGHTING &  
HOME GOODS

# Medium



**OLD CALIFORNIA**  
 975 N ENTERPRISE ST • ORANGE, CA 92867

PRODUCT No.	1023-3	LAMP BASE	Medium Base (E26)
TITLE	Spring Street	MAX WATTAGE	100W
UL RATING	Wet	VOLTAGE	12V or 120V

**PROPRIETARY AND CONFIDENTIAL**  
 The information contained in this drawing is the sole property of Old California. Any reproduction in part or as a whole without written permission from Old California is prohibited.

### DIMENSIONS

Roof Width 9"  
 Body Width 6"  
 Lantern Height 12 1/4"  
 Height 15 1/4"  
 Mounts To 3" Diameter Post

### OVERLAYS AVAILABLE IN THIS SERIES



Trellis



Lattice



Cross



Trellis with Ivy



Lattice with Ivy



Glass Only

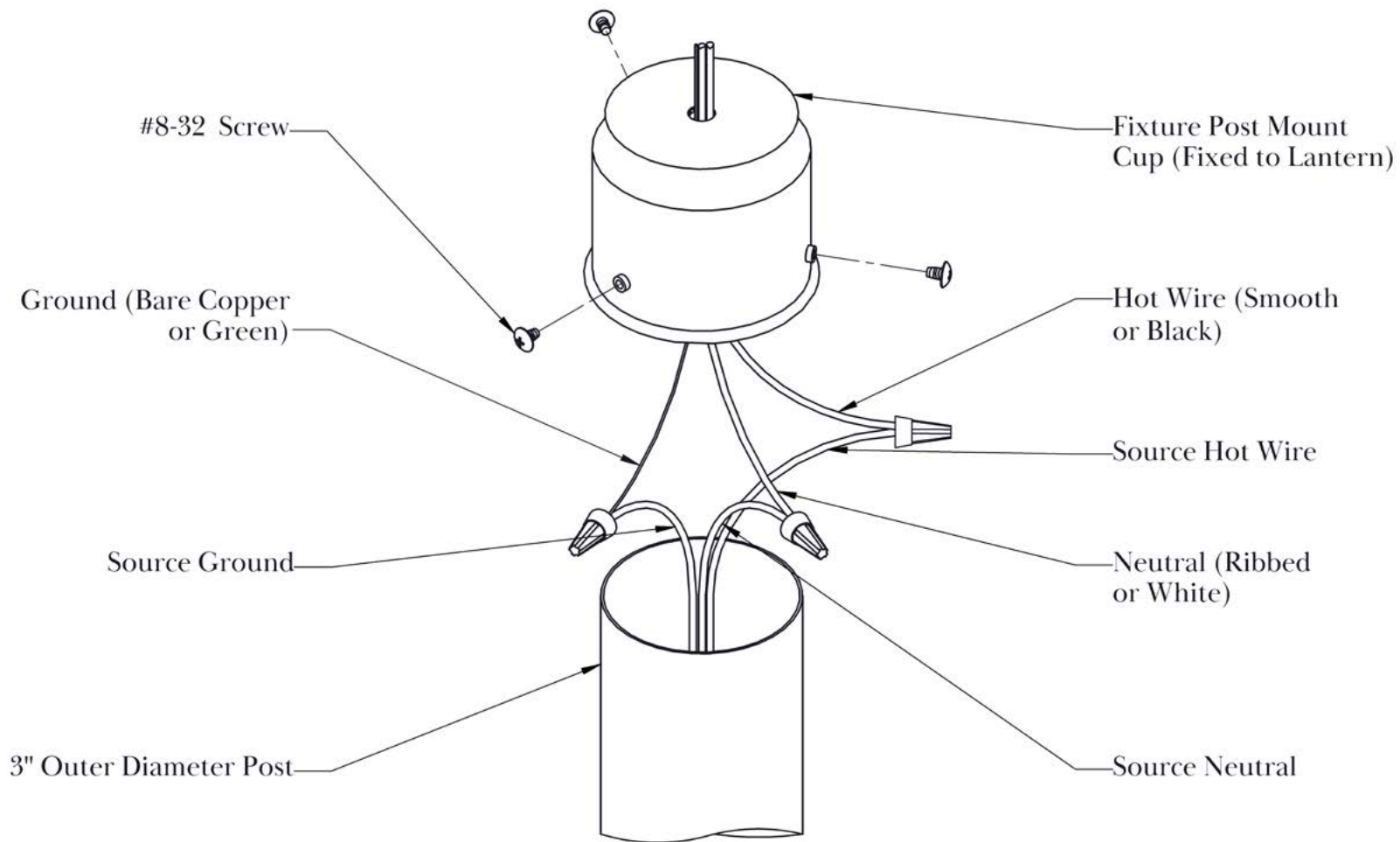
### ELECTRICAL SPECS

UL Rating Wet  
 Voltage 12V or 120V  
 Socket Type Medium Base - E26  
 Number of Light Bulbs 1  
 Max Wattage per Bulb 100W  
 LED Bulb Supplied

### ADDITIONAL INFORMATION

Manufacturer Old California  
 Mounting Location Exterior Only  
 Material Brass  
 Multiple Overlay Options Yes  
 Optional Post Available Yes

**MOUNTING INSTRUCTIONS • 3-inch Metal Post**



**CAUTION—DISCONNECT POWER**

Always shut off power when installing or repairing this (or any other) electrical appliance. Failure to do so may result in severe injury or death. This product must be installed in accordance with applicable installation codes by a person familiar with the construction and operation of the product, and the hazards involved.