

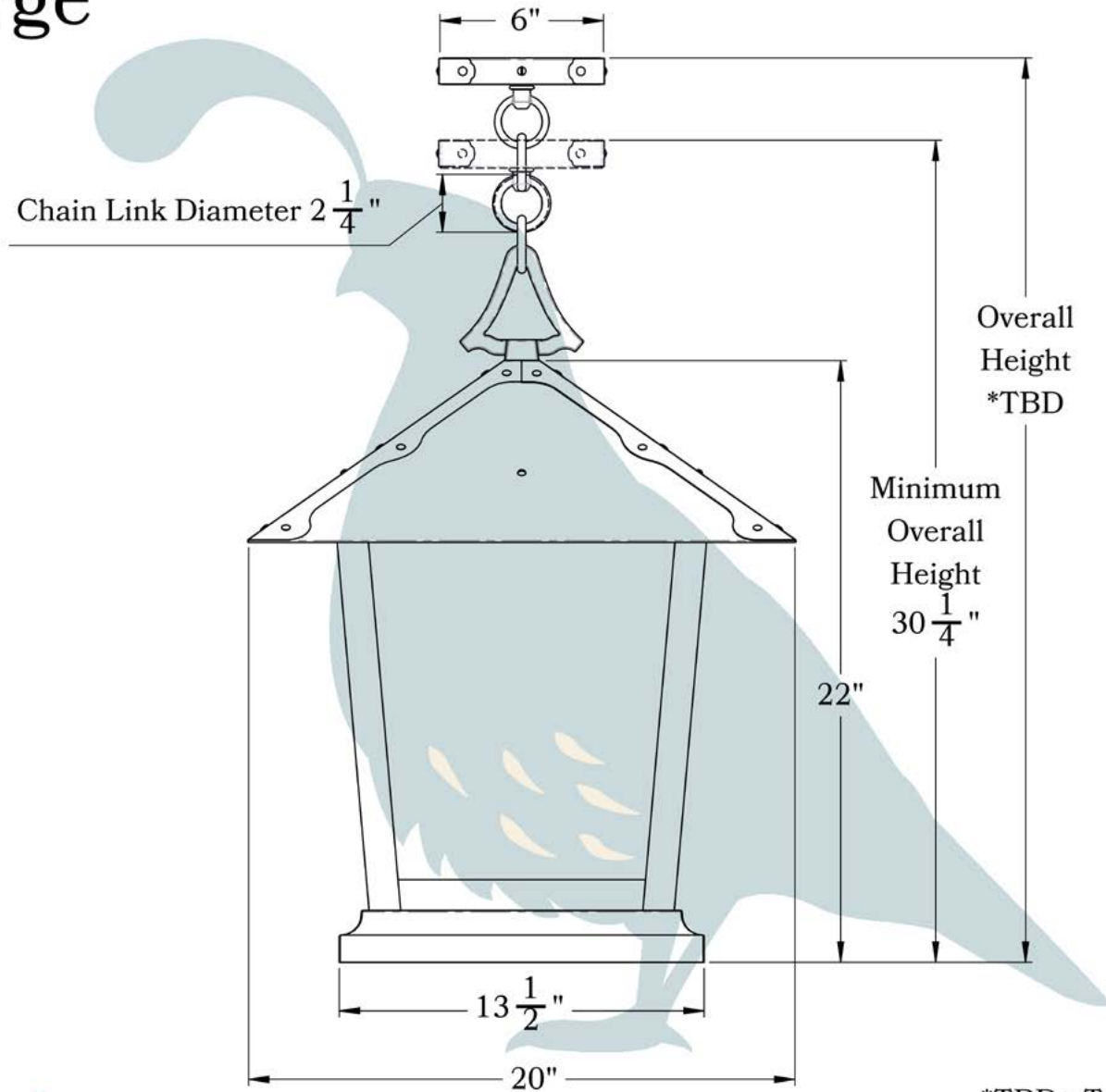


THE SPRING STREET SERIES  
**Chain Pendant Lantern  
with Candle Cluster**

2XL

**OLD  
CALIFORNIA**  
FINE LIGHTING &  
HOME GOODS

# 2X Large



\*TBD= To be determined

PROPRIETARY AND CONFIDENTIAL

The information contained in this drawing is the sole property of Old California. Any reproduction in part or as a whole without written permission from Old California is prohibited.

**OLD CALIFORNIA**  
 975 N ENTERPRISE ST • ORANGE, CA 92867

PRODUCT No.	1026-4-CC	LAMP BASE	Candelabra Base (E12)
TITLE	Spring Street	MAX WATTAGE	4-40W
UL RATING	Damp	VOLTAGE	120V

### DIMENSIONS

Roof Width	20"
Body Width	13 1/2"
Lantern Height	22"
Minimum Height	30 1/4"
Canopy	6"

### OVERLAYS AVAILABLE IN THIS SERIES



Trellis



Lattice



Cross



Trellis with Ivy



Lattice with Ivy



Glass Only

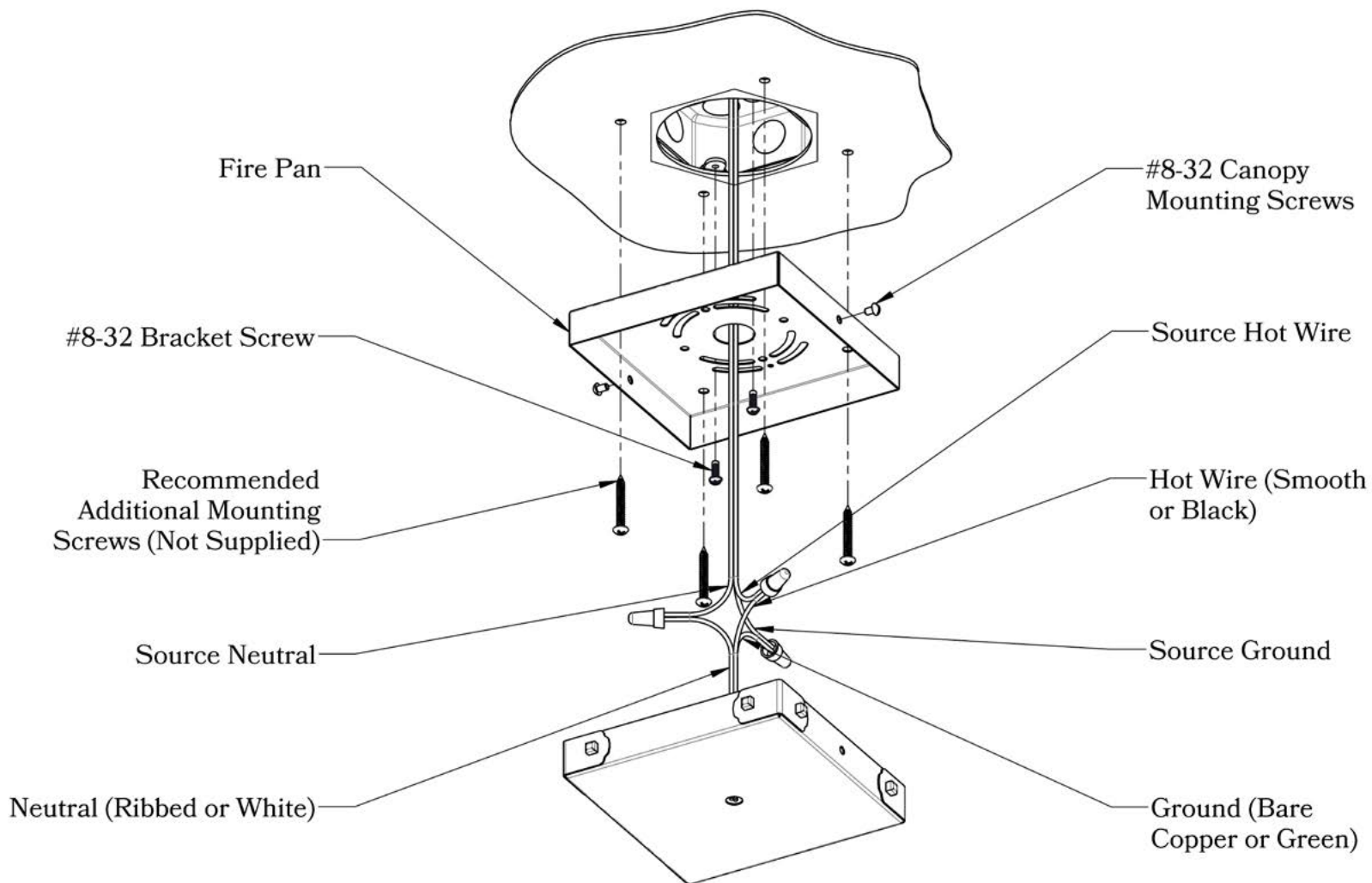
### ELECTRICAL SPECS

UL Rating	Damp
Voltage	120V
Socket Type	Candelabra Base - E12
Number of Light Bulbs	4
Max Wattage per Bulb	40W
LED Bulb	Supplied
Dimmable	Yes

### ADDITIONAL INFORMATION

Manufacturer	Old California
Mounting Location	Interior and Exterior
Material	Brass
Multiple Overlay Options	Yes
Bottom Glass Panels	Included

## MOUNTING INSTRUCTIONS • Chain Mount With Fire Pan

**CAUTION—DISCONNECT POWER**

Always shut off power when installing or repairing this (or any other) electrical appliance. Failure to do so may result in severe injury or death. This product must be installed in accordance with applicable installation codes by a person familiar with the construction and operation of the product, and the hazards involved.