



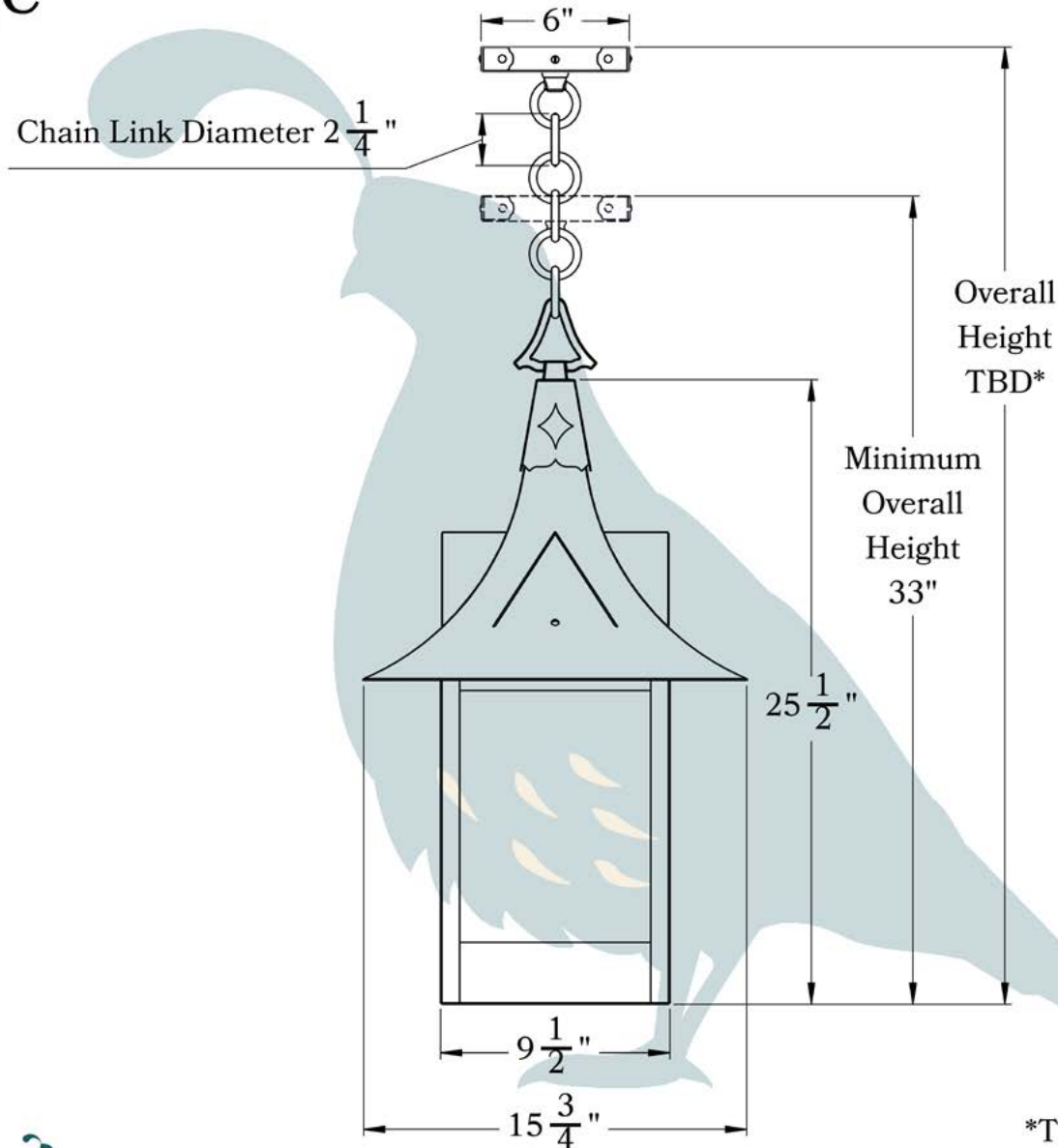
THE BRIDGEVIEW SERIES  
**Chain Pendant Lantern**

EXTRA LARGE

**OLD CALIFORNIA**  
FINE LIGHTING &  
HOME GOODS



# X Large



\*TBD: To Be Determined



PRODUCT No.	1045-4	LAMP BASE	Medium Base (E26)
TITLE	Bridgeview	MAX WATTAGE	100W
UL RATING	Damp	VOLTAGE	120V

**PROPRIETARY AND CONFIDENTIAL**  
 The information contained in this drawing is the sole property of Old California. Any reproduction in part or as a whole without written permission from Old California is prohibited.

## DIMENSIONS

Roof Width	15 3/4"
Body Width	9 1/2"
Lantern Height	25 1/2"
Minimum Height	33"
Canopy	6"

## OVERLAYS AVAILABLE IN THIS SERIES



Cathedral



Gothic



Cross



Vaulted



Glass Only

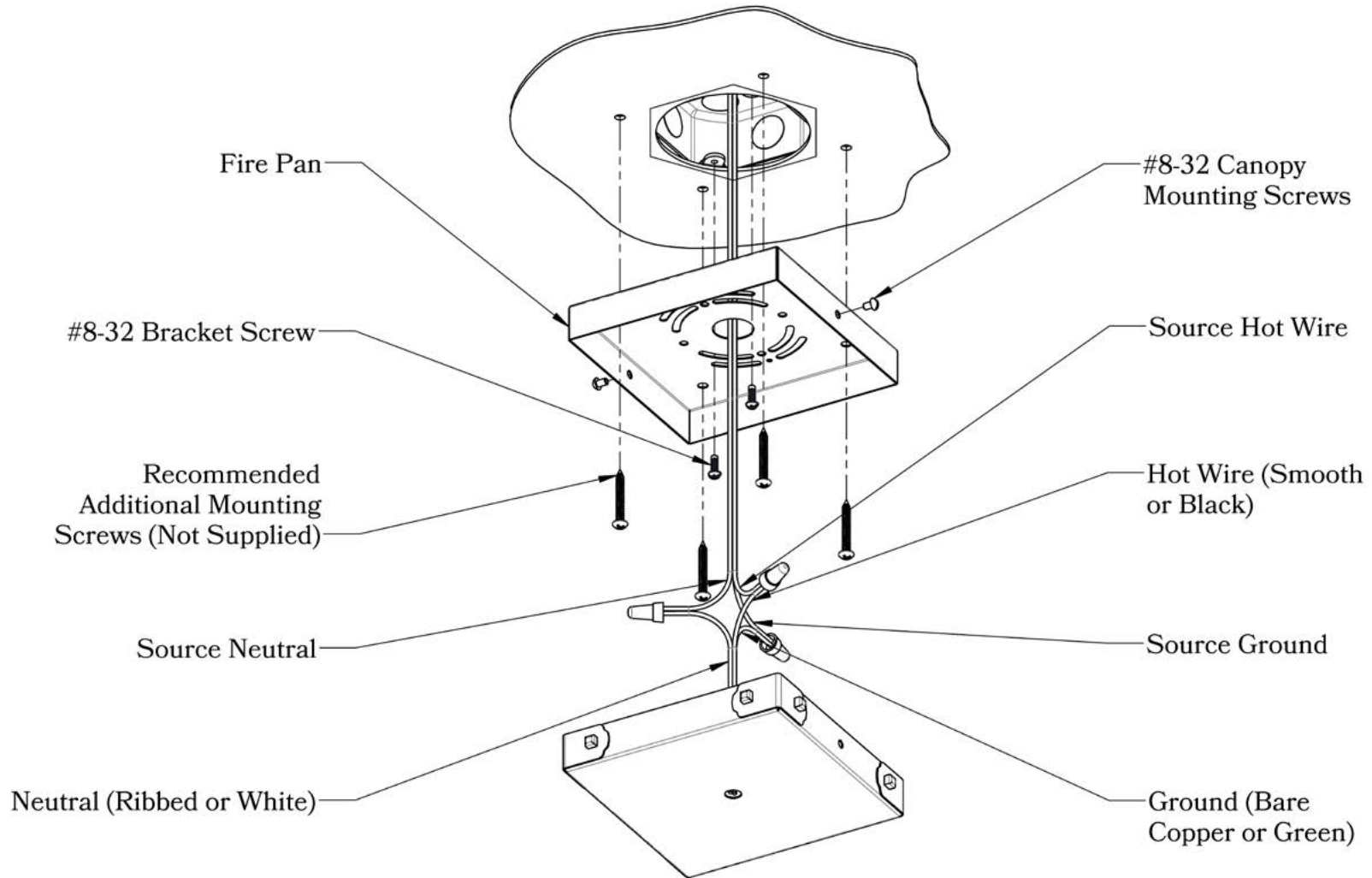
## ELECTRICAL SPECS

UL Rating	Damp
Voltage	120V
Socket Type	Medium Base - E26
Number of Light Bulbs	1
Max Wattage per Bulb	100W
LED Bulb	Supplied
Dimmable	Yes

## ADDITIONAL INFORMATION

Manufacturer	Old California
Mounting Location	Interior and Exterior
Material	Brass
Multiple Overlay Options	Yes
Bottom Glass Panels	Included

## MOUNTING INSTRUCTIONS • Chain Mount With Fire Pan

**CAUTION—DISCONNECT POWER**

Always shut off power when installing or repairing this (or any other) electrical appliance. Failure to do so may result in severe injury or death. This product must be installed in accordance with applicable installation codes by a person familiar with the construction and operation of the product, and the hazards involved.