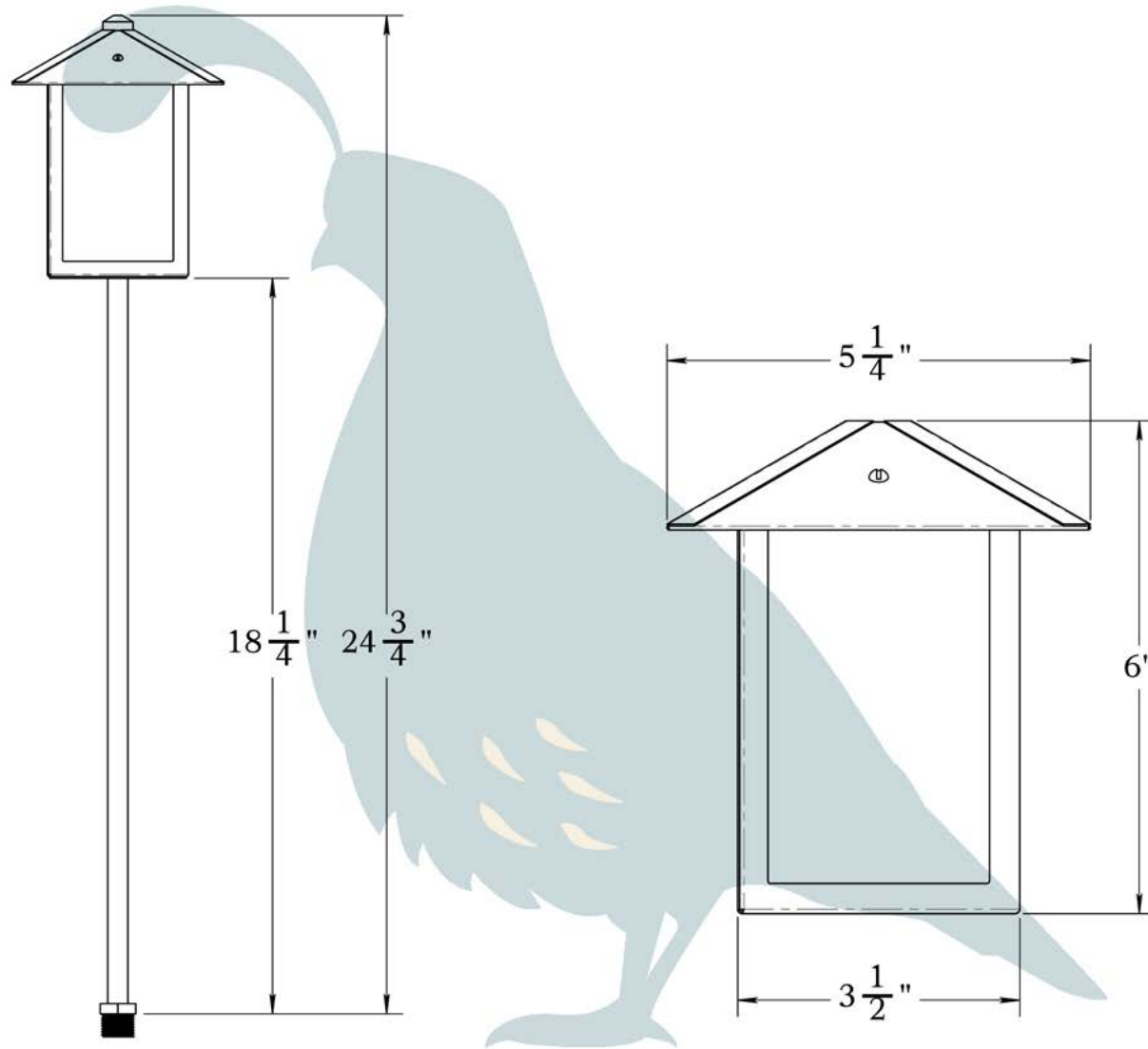




THE GARDEN AND PATHWAY SERIES  
**Post Mount Landscape Lantern**

**OLD CALIFORNIA**  
FINE LIGHTING &  
HOME GOODS



## DIMENSIONS

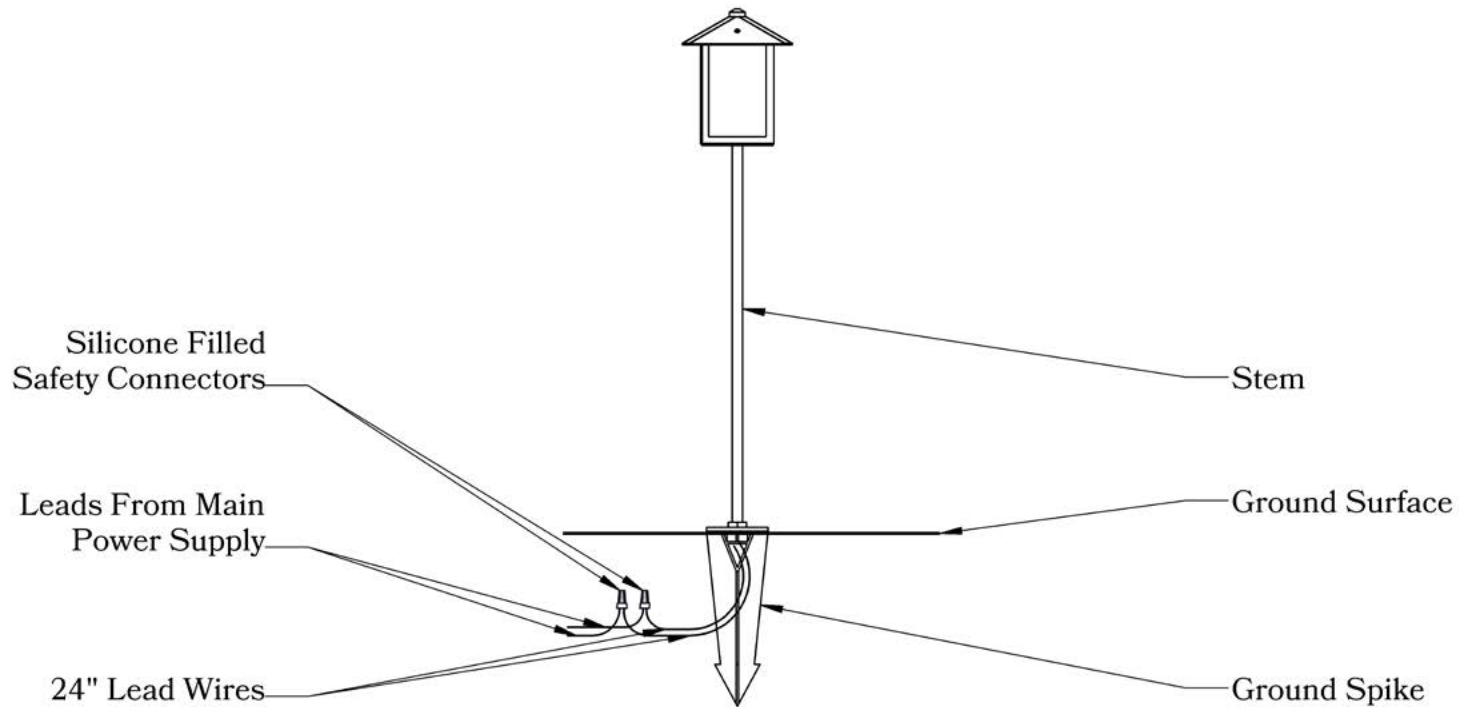
Lantern Roof Width	5 1/4"
Lantern Body Width	3 1/2"
Lantern Height	6"
Height from Ground	24 3/4"
Spike	Supplied

## ELECTRICAL SPECS

UL Rating	Not Rated
Voltage	12 Volt
Socket Type	G4 Bi-Pin
Number of Light Bulbs	1
Max Wattage per Bulb	20W
LED Bulb	Supplied
Wire Lead Length from base	24"

## ADDITIONAL INFORMATION

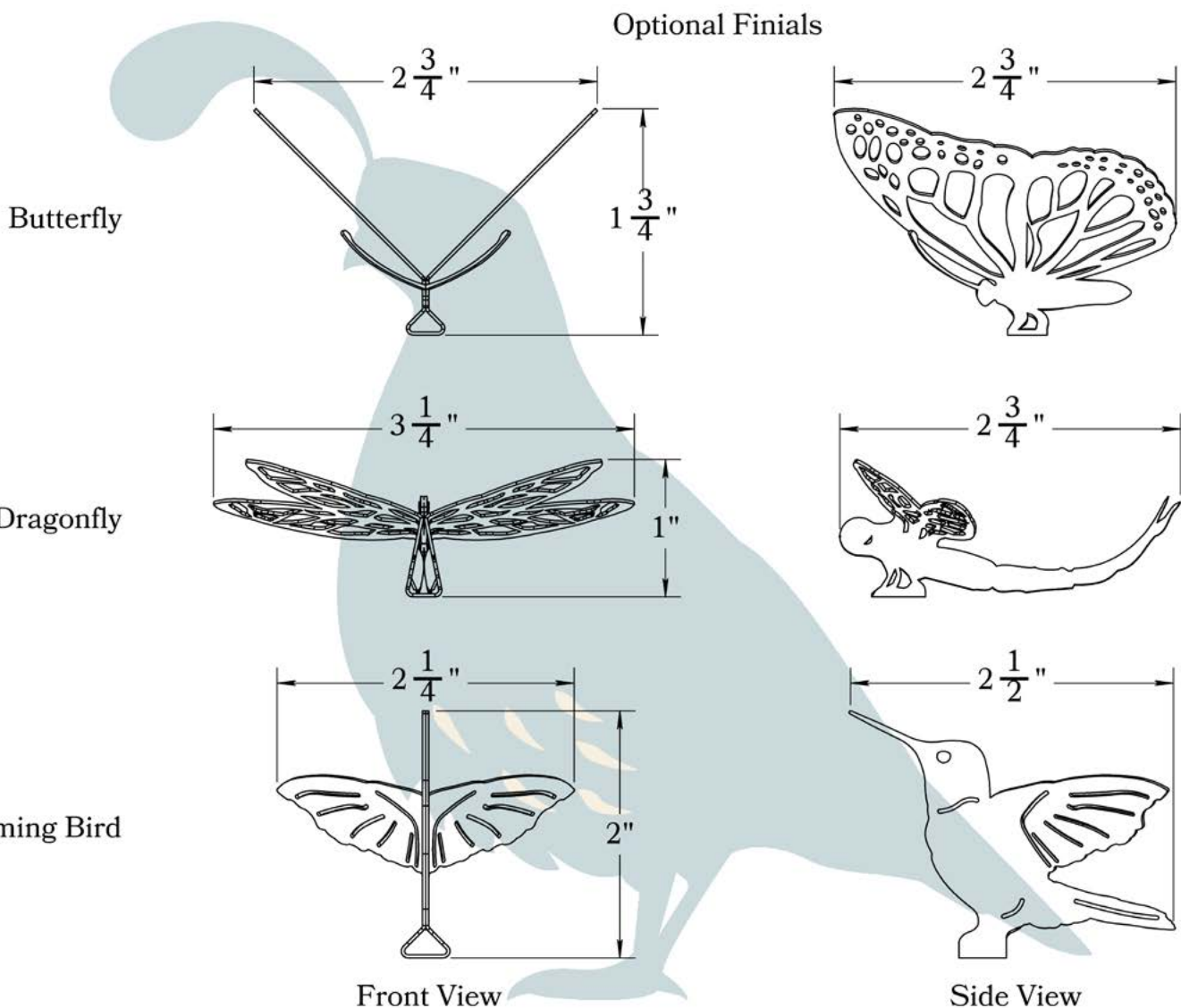
Manufacturer	Old California
Mounting Location	Exterior
Material	Brass
Multiple Overlay Options	Yes

**MOUNTING INSTRUCTIONS • Garden Lantern & Angled Pathway Lighting**

1. Disconnect the transformer from main power supply before installing or serving this product.
2. Insert the pigtail wires from the bottom of the fixture through the hole and side slot located on the head of the ground spike.
3. Screw the fixture into the ground spike.
4. Insert the stake into the ground in the desired location until the bottom of the stake head rests on the ground surface. Leave fixture wires exposed above ground.  
Note: Break up and soften soil when it is hard, then insert the ground spike into the ground.
5. Strip the two fixture pigtail wires. Attach the two fixture leads to the two main supply cable leads using the provided silicone waterproof connectors. Note that the fixture wiring should not be buried deeper than six inches to ensure connectivity to the main supply cable. We recommended wrapping electrical tape around the wires and cap to help hold wires during install.
6. Reconnect the transformer to the main power supply. Turn on the power to the fixture and verify proper position and operation.

**CAUTION—DISCONNECT POWER**

Always shut off power when installing or repairing this (or any other) electrical appliance. Failure to do so may result in severe injury or death. This product must be installed in accordance with applicable installation codes by a person familiar with the construction and operation of the product, and the hazards involved.



975 N ENTERPRISE ST • ORANGE, CA 92867

**PROPRIETARY AND CONFIDENTIAL**  
 The information contained in this drawing is the sole property of Old California. Any reproduction in part or as a whole without written permission from Old California is prohibited.