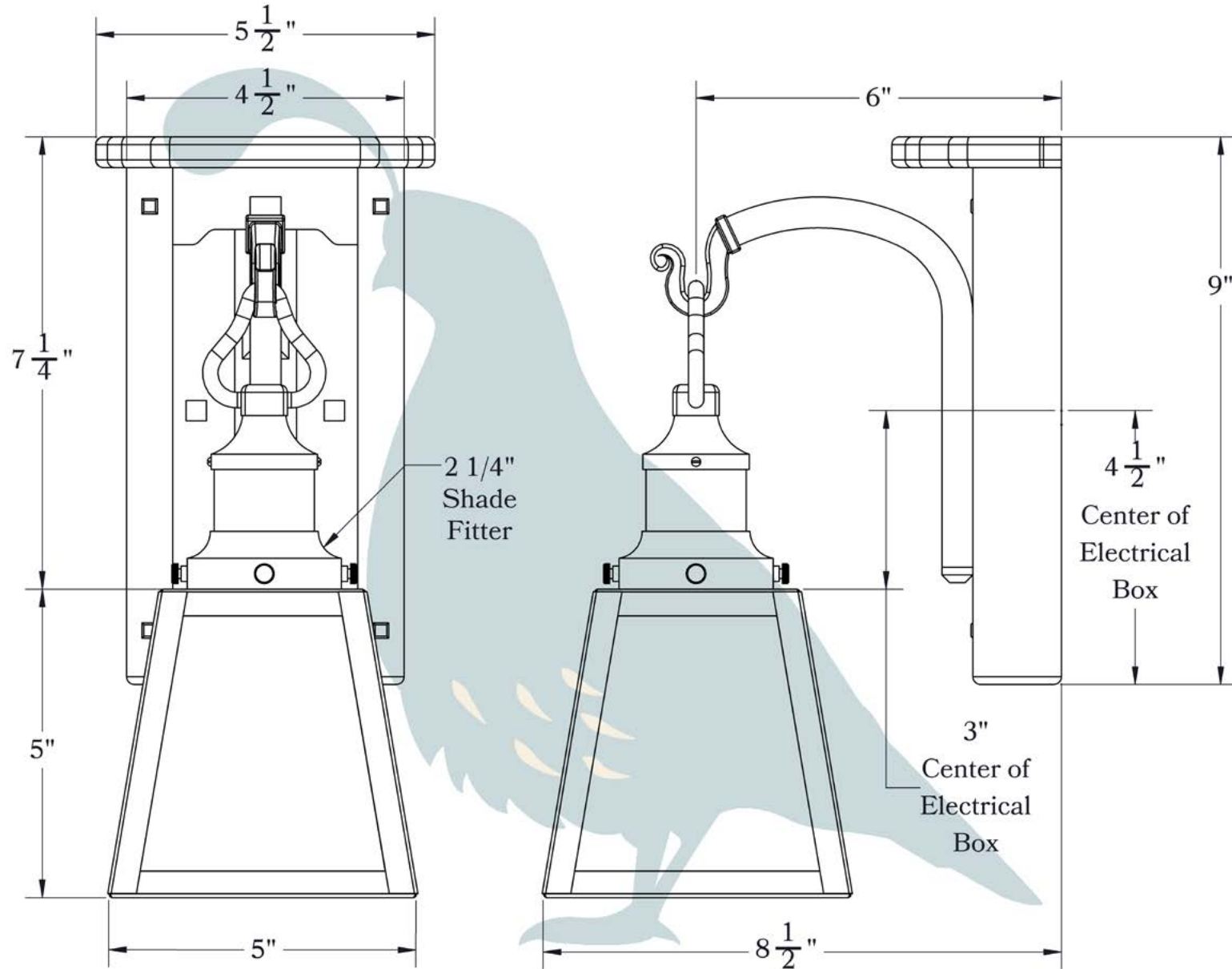




THE HILLSIDE SERIES
Sconce with Short Wood Plate

FRAME SHADE OR GLASS SHADE

OLD CALIFORNIA
FINE LIGHTING &
HOME GOODS

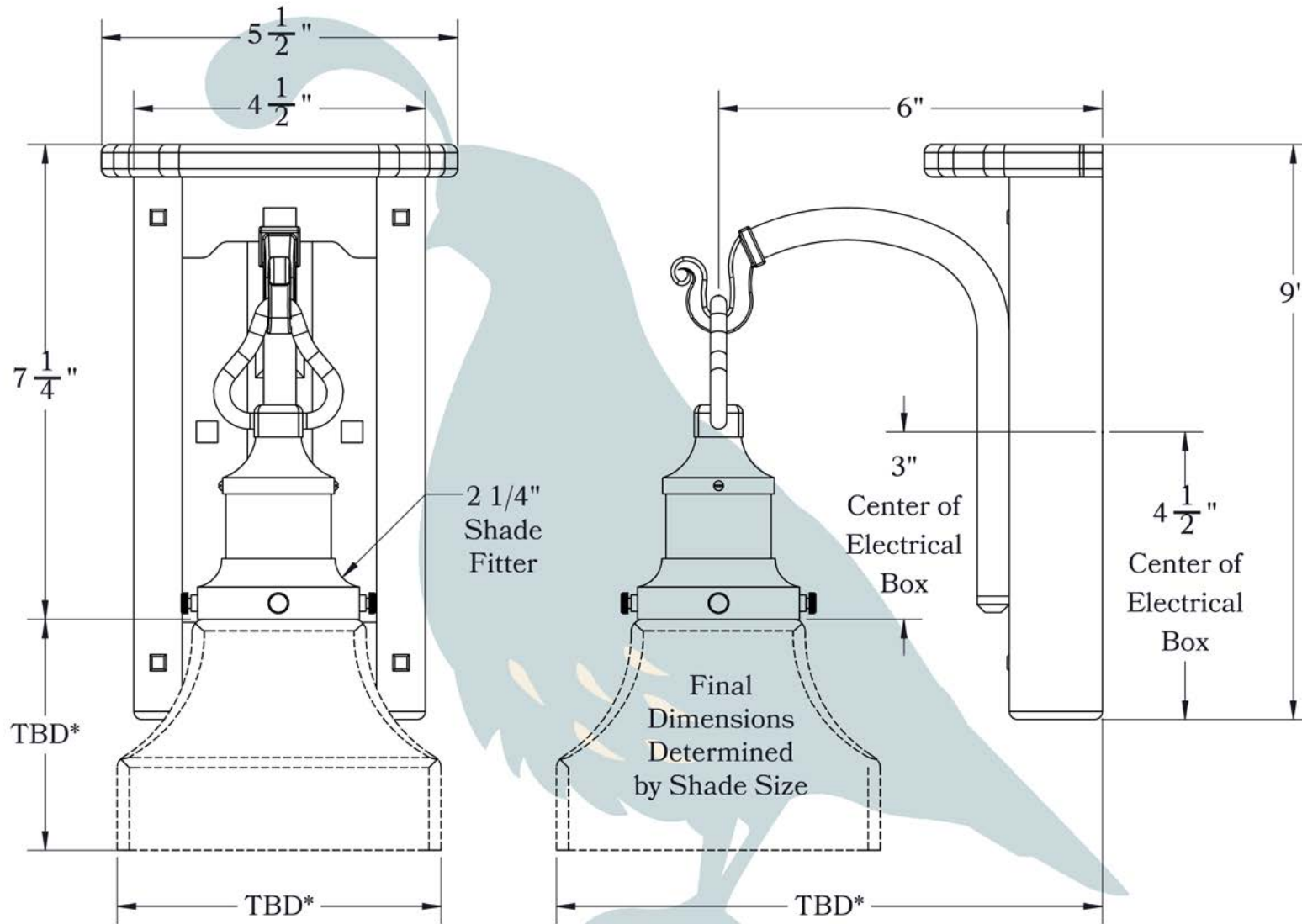


975 N ENTERPRISE ST • ORANGE, CA 92867

PRODUCT No. | 240-1-SN
 TITLE | Hillside
 UL RATING | Dry

LAMP BASE | Medium Base (E26)
 WATTAGE | 60W
 VOLTAGE | 120V

PROPRIETARY AND CONFIDENTIAL
 The information contained in this drawing is the sole property of Old California. Any reproduction in part or as a whole without written permission from Old California is prohibited.



*TBD: To Be Determined

DIMENSIONS

| | |
|--------------------------------|-------------------|
| Width | 5 1/2" |
| Height (Without Shade) | 7 1/4" |
| Projection to Center of Socket | 6" |
| Mounting Plate | 5 1/2" x 9" |
| Socket Style | Square Shell (SN) |
| Shade Fitter Size | 2 1/4" |

ELECTRICAL SPECS

| | |
|-----------------------|-------------------|
| UL Rating | Dry |
| Voltage | 120V |
| Socket Type | Medium Base - E26 |
| Number of Light Bulbs | 1 |
| Max Wattage per Bulb | 60W |
| LED Bulb | Supplied |
| Dimmable | Yes |

ADDITIONAL INFORMATION

| | |
|-------------------|----------------|
| Manufacturer | Old California |
| Mounting Location | Interior |
| Material | Brass, Sapele |

FRAME SHADES



Cross



Arch



Cloud Lift



Arrow

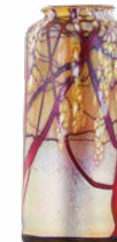
EXAMPLES OF AVAILABLE GLASS SHADES



Amber Mission



Victorian Feather



Cherry Blossom
Cylinder

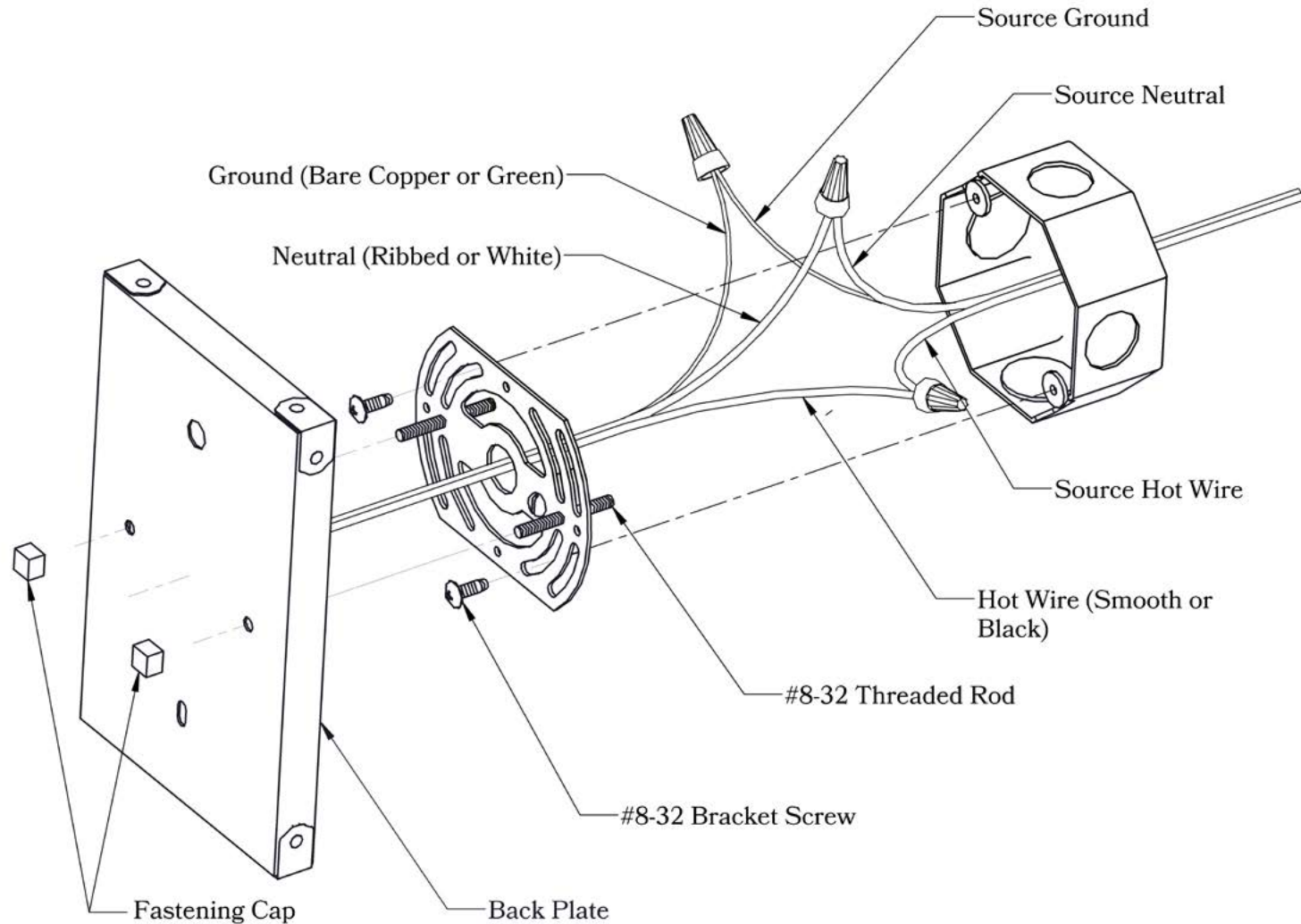


Milk-White Bell



Peacock Feather
Tulip

A much wider selection of shades is available on our website.

MOUNTING INSTRUCTIONS • Wall Mount With Caps**CAUTION—DISCONNECT POWER**

Always shut off power when installing or repairing this (or any other) electrical appliance. Failure to do so may result in severe injury or death. This product must be installed in accordance with applicable installation codes by a person familiar with the construction and operation of the product, and the hazards involved.