

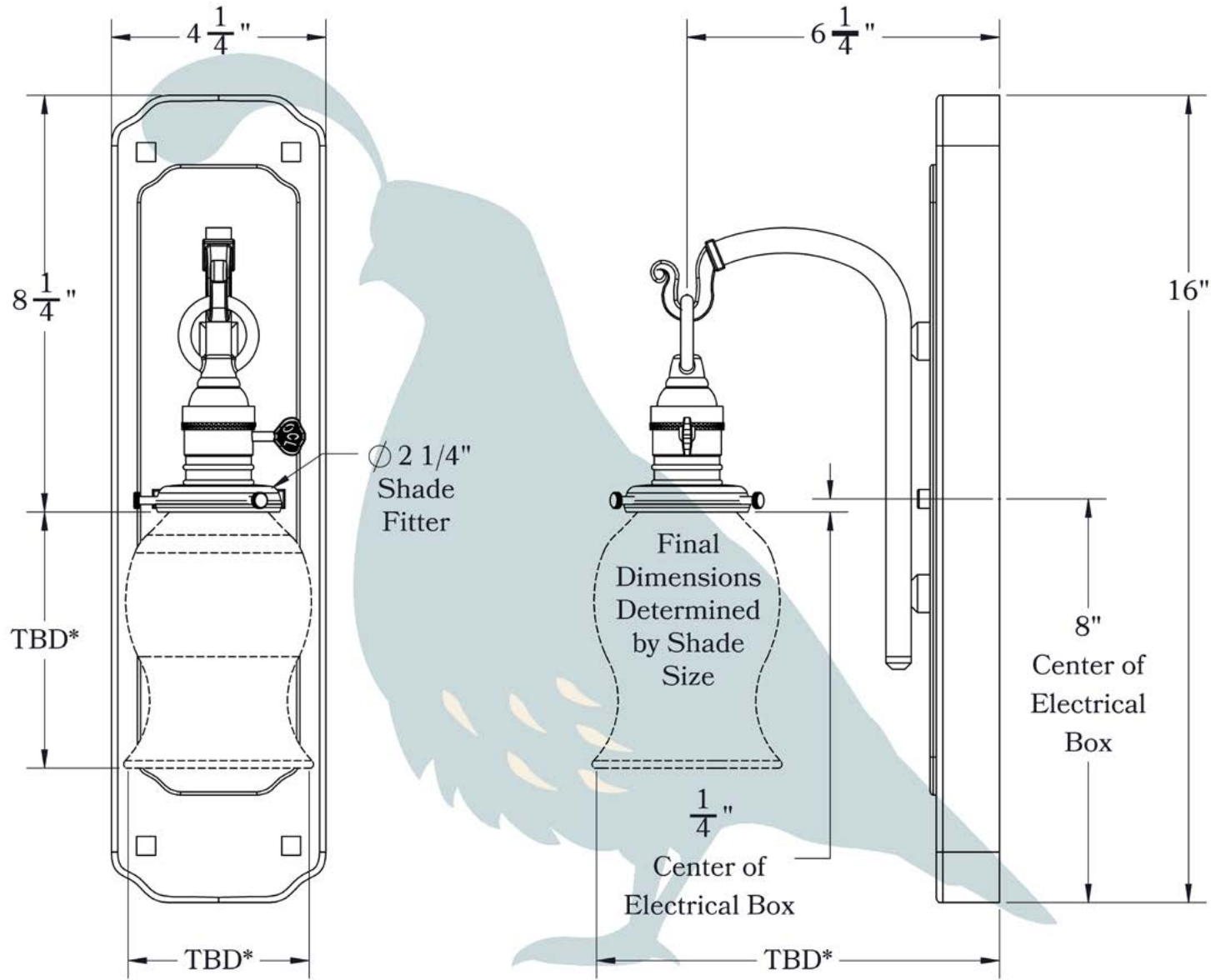
PRODUCT NO. 240-13-BK



THE HILLSIDE SERIES
**Sconce with Key Socket
and Tall Wood Plate**

GLASS SHADE

OLD CALIFORNIA
FINE LIGHTING &
HOME GOODS



*TBD: To Be Determined



975 N ENTERPRISE ST • ORANGE, CA 92867

PRODUCT No. | 240-13-BK
 TITLE | Hillside
 UL RATING | Dry

LAMP BASE | Medium Base (E26)
 WATTAGE | 60W
 VOLTAGE | 120V

PROPRIETARY AND CONFIDENTIAL
 The information contained in this drawing is the sole property of Old California. Any reproduction in part or as a whole without written permission from Old California is prohibited.

DIMENSIONS

| | |
|--------------------------------|---------------------|
| Width | 4 1/4" |
| Height (Without Shade) | 8 1/4" |
| Projection to Center of Socket | 6 1/4" |
| Mounting Plate | 4 1/4" x 16" |
| Socket Style | Shell with Key (BK) |
| Shade Fitter Size | 2 1/4" |

ELECTRICAL SPECS

| | |
|-----------------------|-------------------|
| UL Rating | Dry |
| Voltage | 120V |
| Socket Type | Medium Base - E26 |
| Number of Light Bulbs | 1 |
| Max Wattage per Bulb | 60W |
| LED Bulb | Supplied |
| Dimmable | Yes |
| On/Off Switch | Key Switch |

ADDITIONAL INFORMATION

| | |
|-------------------|----------------|
| Manufacturer | Old California |
| Mounting Location | Interior |
| Material | Brass, Sapele |

EXAMPLES OF AVAILABLE GLASS SHADES



Amber Mission



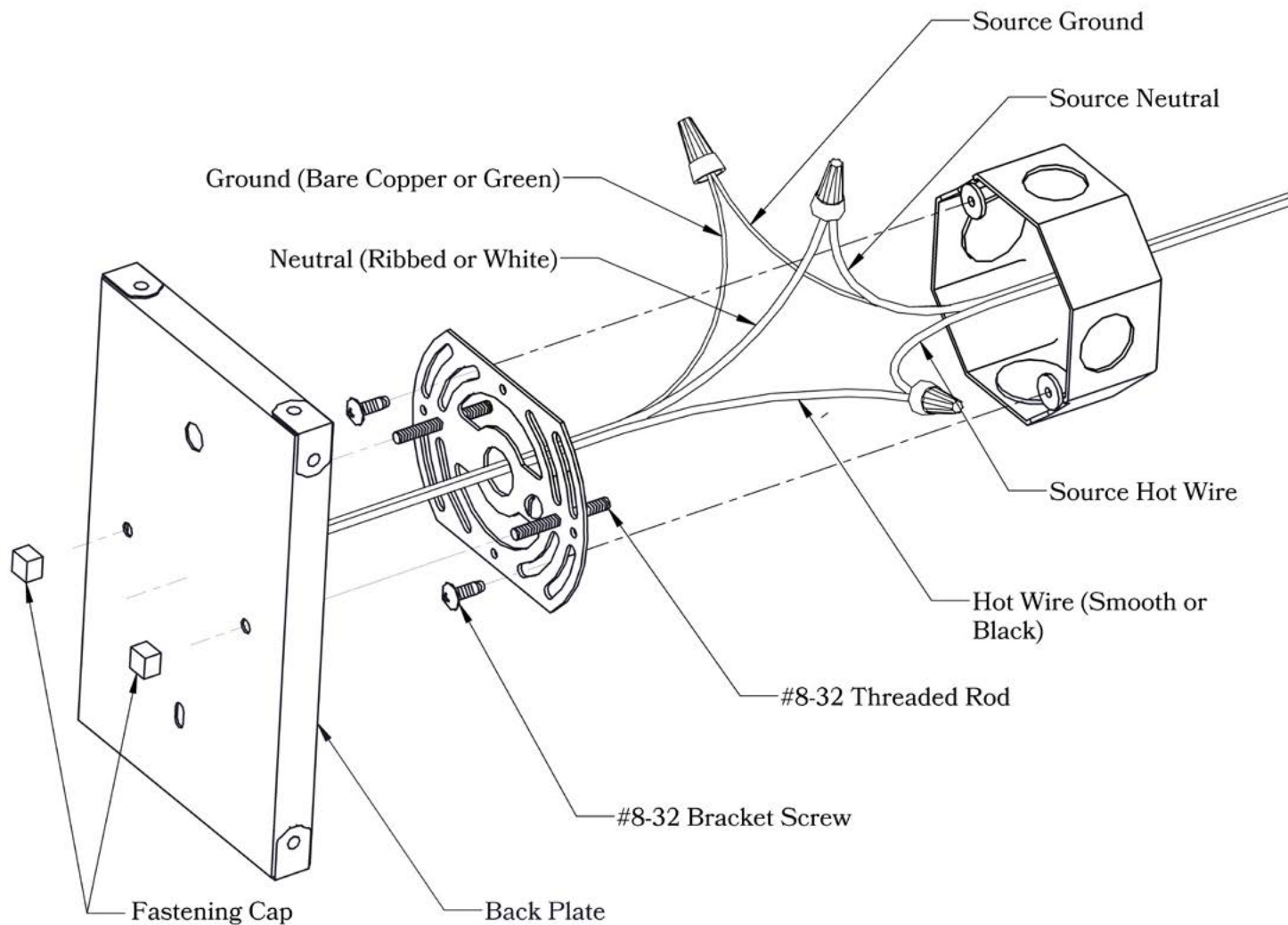
Victorian Feather

Cherry Blossom
Cylinder

Milk-White Bell

Peacock Feather
Tulip

A much wider selection of shades is available on our website.

MOUNTING INSTRUCTIONS • Wall Mount With Caps**CAUTION—DISCONNECT POWER**

Always shut off power when installing or repairing this (or any other) electrical appliance. Failure to do so may result in severe injury or death. This product must be installed in accordance with applicable installation codes by a person familiar with the construction and operation of the product, and the hazards involved.