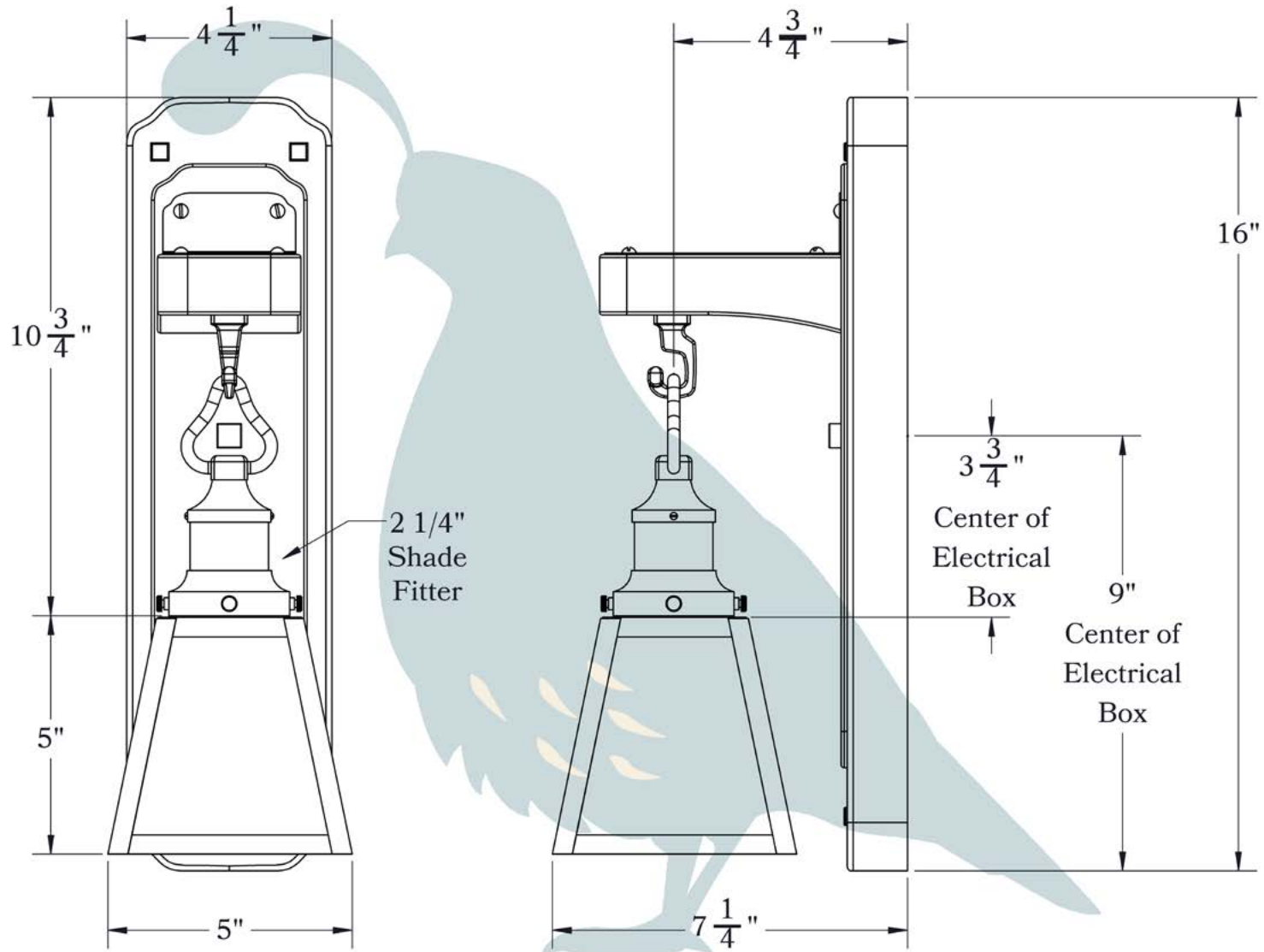




THE HILLSIDE SERIES
Wood Sconce with Square Socket

FRAME SHADE OR GLASS SHADE


OLD CALIFORNIA
FINE LIGHTING &
HOME GOODS

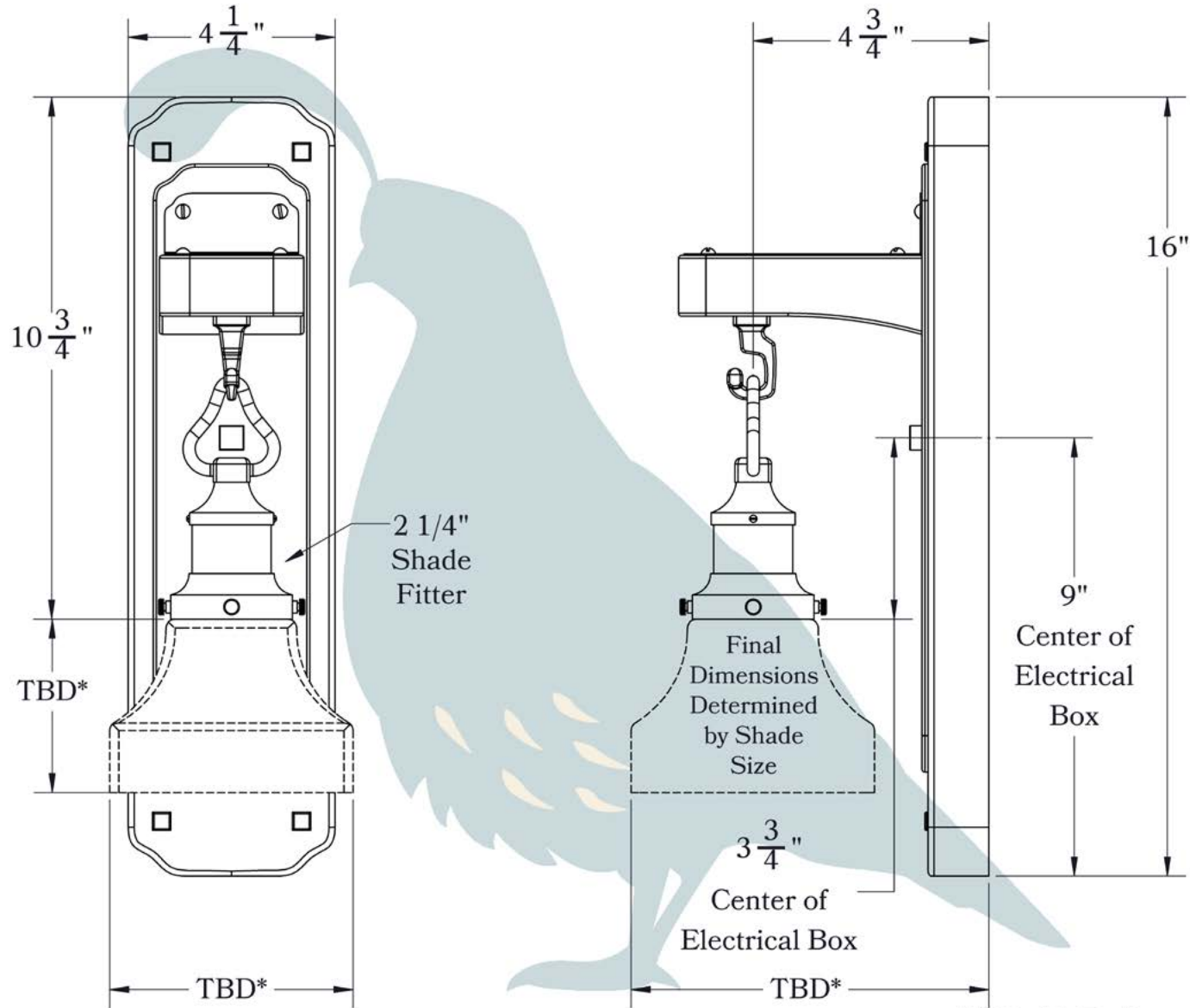


975 N ENTERPRISE ST • ORANGE, CA 92867

PRODUCT No. | 240-14-SN
 TITLE | Hillside
 UL RATING | Dry

LAMP BASE | Medium Base (E26)
 WATTAGE | 60W
 VOLTAGE | 120V

PROPRIETARY AND CONFIDENTIAL
 The information contained in this drawing is the sole property of Old California. Any reproduction in part or as a whole without written permission from Old California is prohibited.



*TBD: To Be Determined



975 N ENTERPRISE ST • ORANGE, CA 92867

PRODUCT No. | 240-14-SN
 TITLE | Hillside
 UL RATING | Dry

LAMP BASE | Medium Base (E26)
 WATTAGE | 60W
 VOLTAGE | 120V

PROPRIETARY AND CONFIDENTIAL
 The information contained in this drawing is the sole property of Old California. Any reproduction in part or as a whole without written permission from Old California is prohibited.

DIMENSIONS

Width	4 1/4"
Height (Without Shade)	10 3/4"
Projection to Center of Socket	4 3/4"
Mounting Plate	4 1/4" x 16"
Socket Style	Square Shell (SN)
Shade Fitter Size	2 1/4"

EXAMPLES OF AVAILABLE GLASS SHADES



Amber Mission



Victorian Feather



Cherry Blossom
Cylinder



Milk-White Bell



Peacock Feather
Tulip

A much wider selection of shades is available on our website.

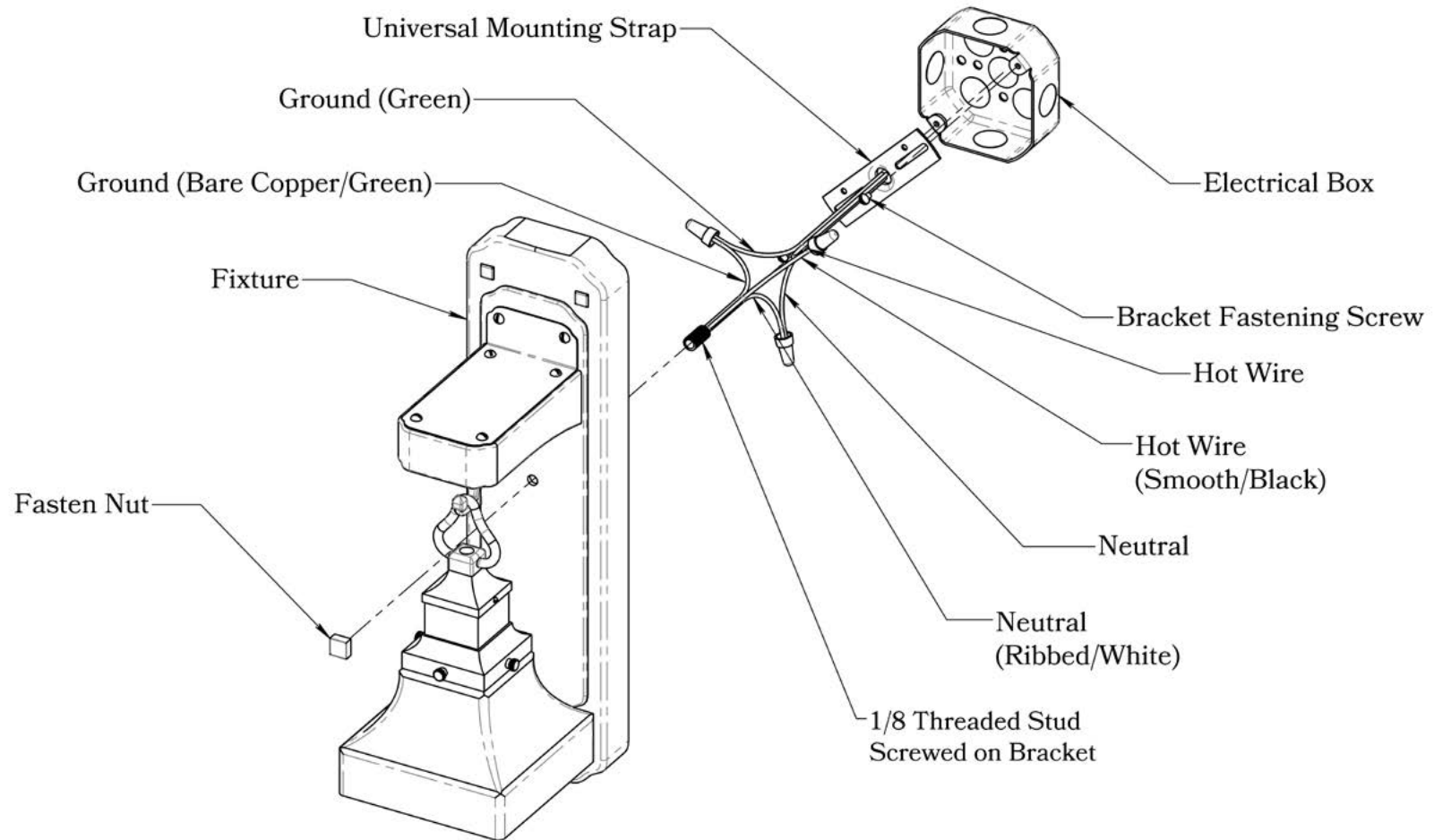
ELECTRICAL SPECS

UL Rating	Dry
Voltage	120V
Socket Type	Medium Base - E26
Number of Light Bulbs	1
Max Wattage per Bulb	60W
LED Bulb	Supplied
Dimmable	Yes

ADDITIONAL INFORMATION

Manufacturer	Old California
Mounting Location	Interior
Material	Brass, Sapele

MOUNTING INSTRUCTIONS • Center Mounting Cap Wall Mount



CAUTION—DISCONNECT POWER

Always shut off power when installing or repairing this (or any other) electrical appliance. Failure to do so may result in severe injury or death. This product must be installed in accordance with applicable installation codes by a person familiar with the construction and operation of the product, and the hazards involved.