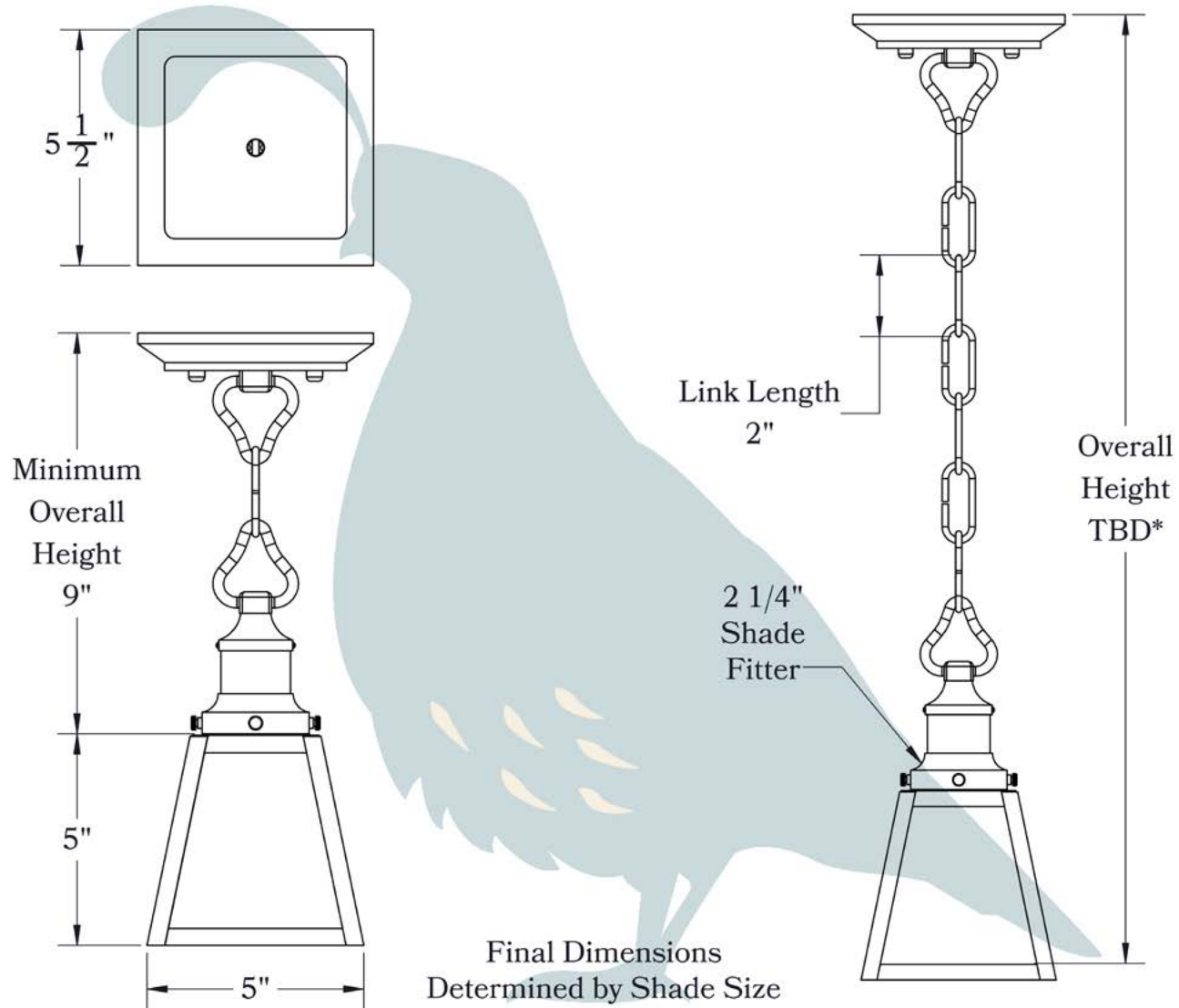




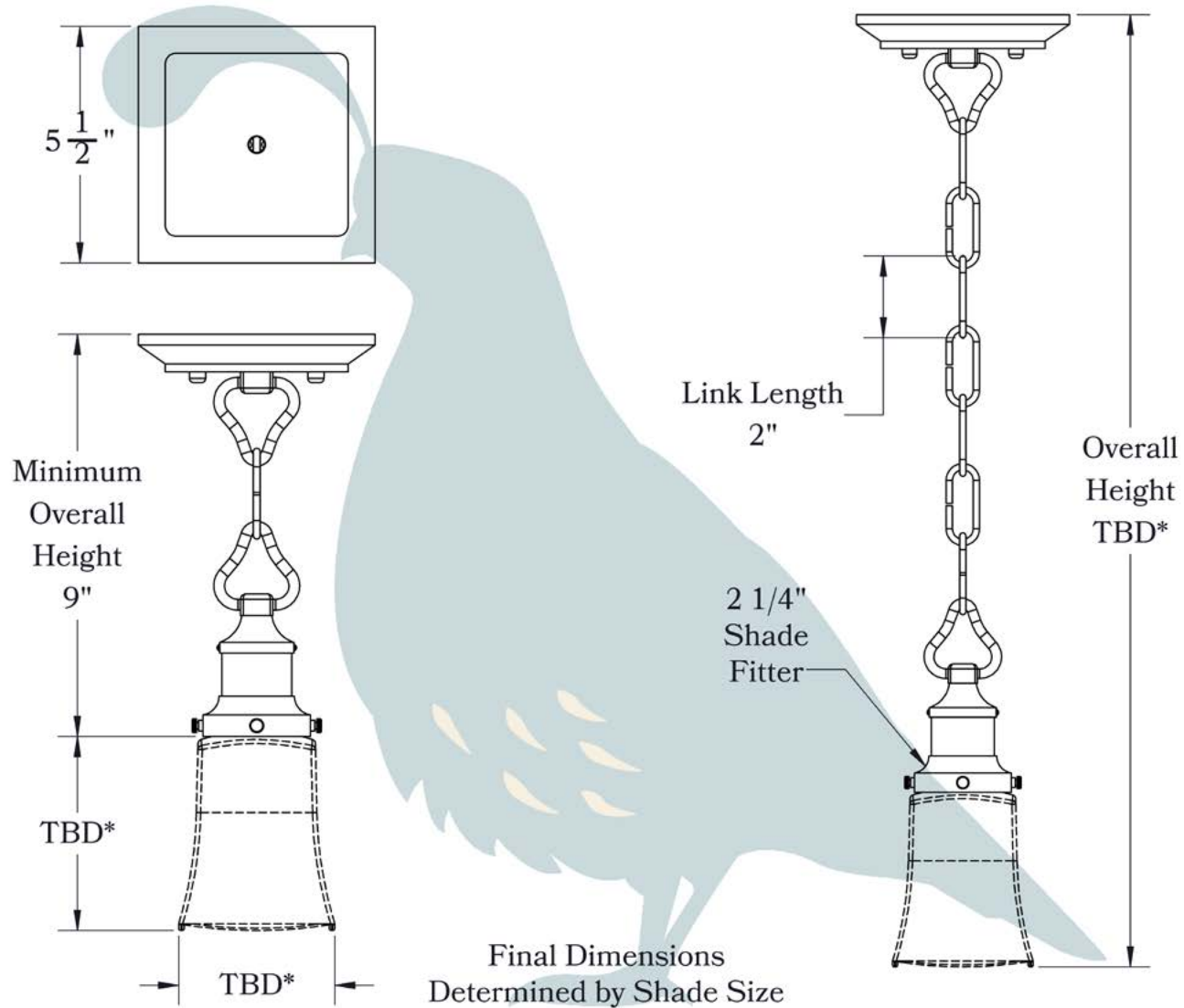
THE LIVE OAKS SERIES
Chain Pendant Lantern

FRAME SHADE OR GLASS SHADE

OLD CALIFORNIA
FINE LIGHTING &
HOME GOODS



*TBD: To Be Determined



*TBD: To Be Determined



975 N ENTERPRISE ST • ORANGE, CA 92867

PRODUCT No.	270-4-SN
TITLE	Live Oaks
UL RATING	Dry

LAMP BASE	Medium Base (E26)
WATTAGE	60W
VOLTAGE	120V

PROPRIETARY AND CONFIDENTIAL
 The information contained in this drawing is the sole property of Old California. Any reproduction in part or as a whole without written permission from Old California is prohibited.

DIMENSIONS

Width	5 1/2"
Minimum Height (without shade)	9"
Ceiling Mounting Plate	5 1/2"
Socket Style	Square Shell (SN)
Shade Fitter Size	2 1/4"

ELECTRICAL SPECS

UL Rating	Dry
Voltage	120V
Socket Type	Medium Base - E26
Number of Light Bulbs	1
Max Wattage per Bulb	60W
LED Bulb	Supplied
Dimmable	Yes

ADDITIONAL INFORMATION

Manufacturer	Old California
Exterior or Interior	Interior
Material	Brass, Quarter-Sawn White Oak

FRAME SHADES



Cross



Arch



Cloud Lift



Arrow

EXAMPLES OF AVAILABLE GLASS SHADES



Amber Mission



Victorian Feather



Cherry Blossom
Cylinder

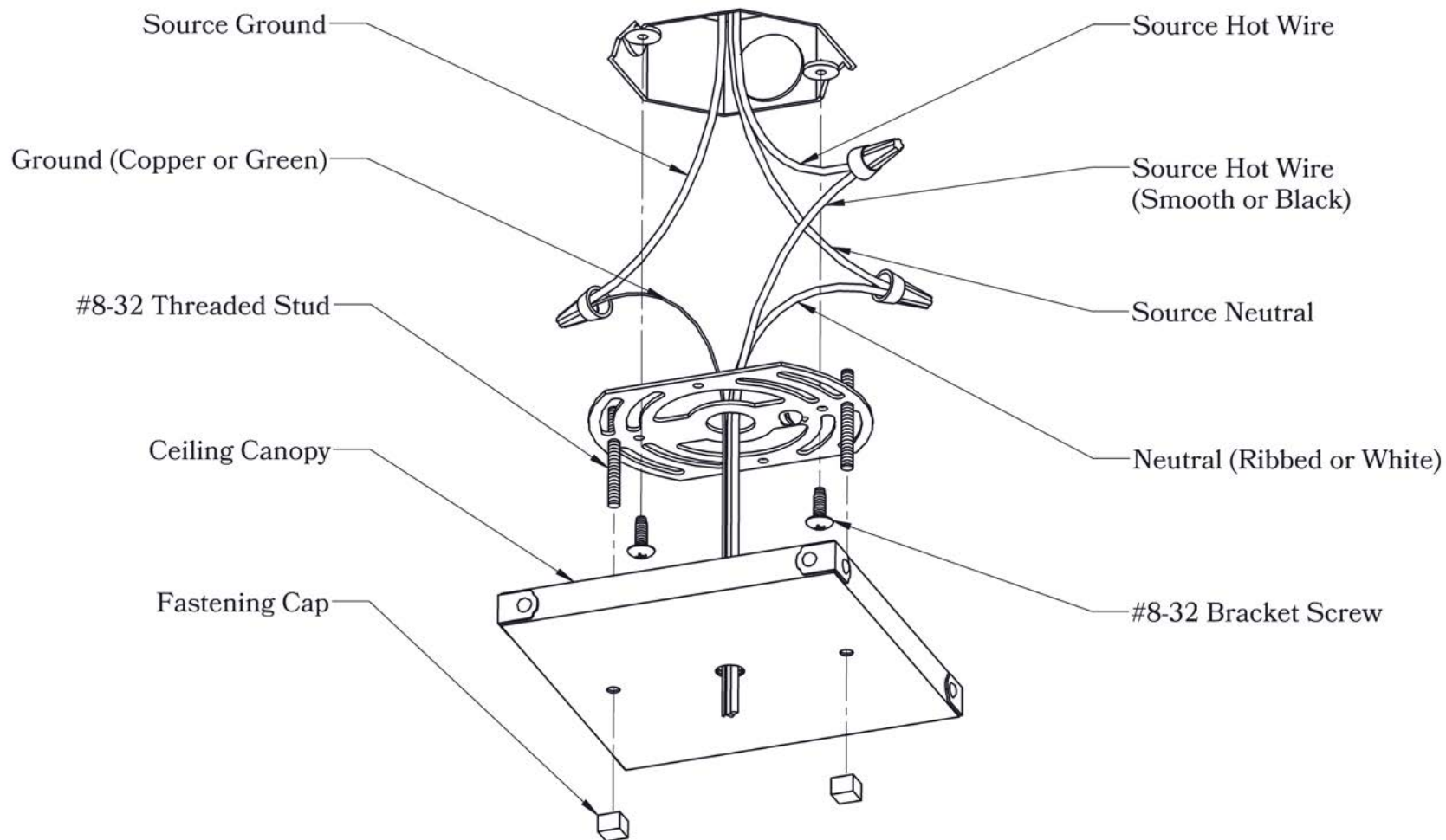


Milk-White Bell



Peacock Feather
Tulip

A much wider selection of shades is available on our website.

MOUNTING INSTRUCTIONS • Chain Mount Without Fire Pan**CAUTION—DISCONNECT POWER**

Always shut off power when installing or repairing this (or any other) electrical appliance. Failure to do so may result in severe injury or death. This product must be installed in accordance with applicable installation codes by a person familiar with the construction and operation of the product, and the hazards involved.