

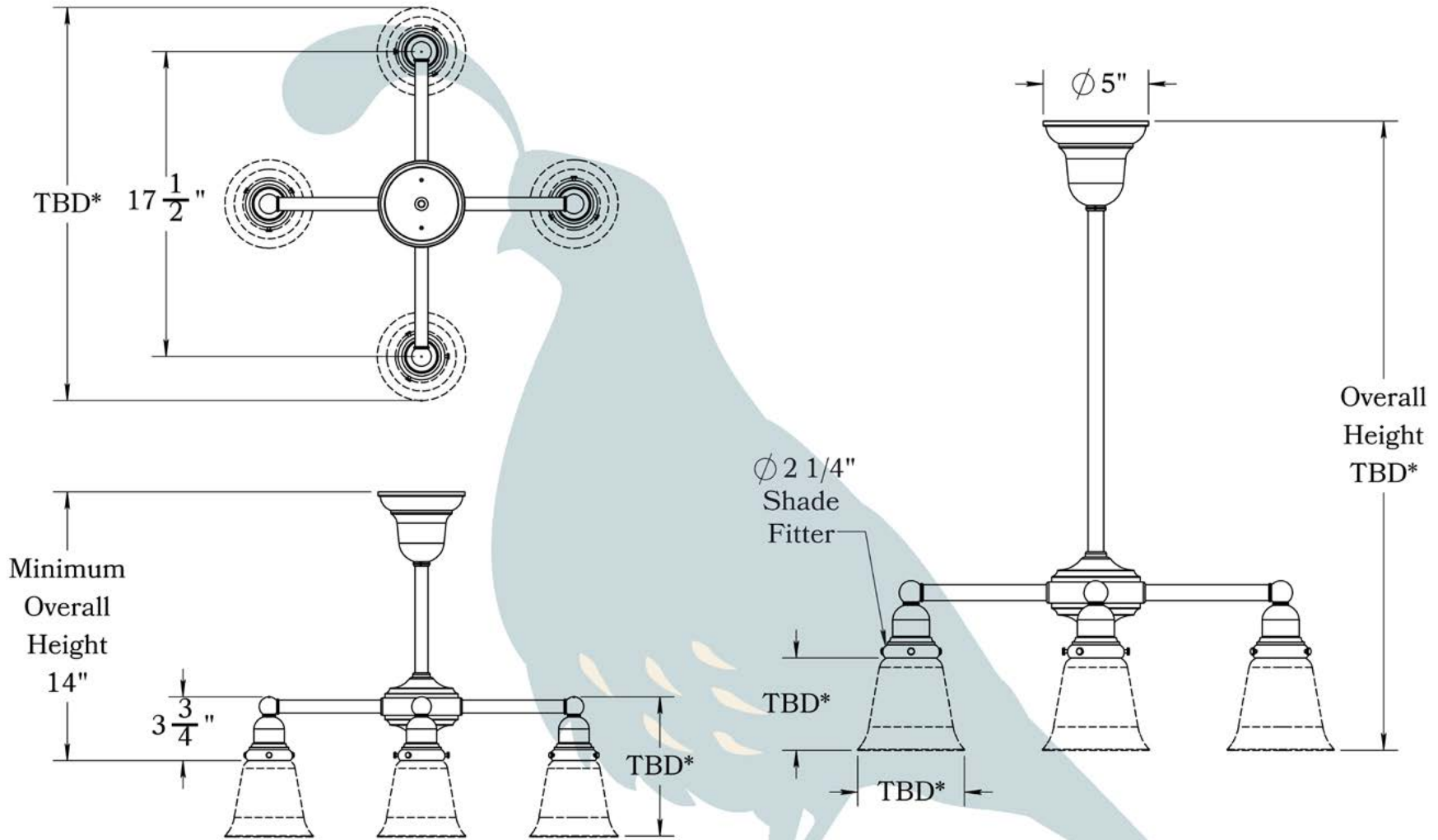
PRODUCT NO. 290-24-RN



THE SIERRA MADRE SERIES
Four Light Chandelier

GLASS SHADE

OLD CALIFORNIA
FINE LIGHTING &
HOME GOODS



Final Dimensions
Determined by Shade Size

*TBD: To Be Determined

OLD CALIFORNIA
975 N ENTERPRISE ST • ORANGE, CA 92867

PRODUCT No. 290-24-RN
TITLE Sierra Madre
UL RATING Damp

LAMP BASE Medium Base (E26)
MAX WATTAGE 4-60W
VOLTAGE 120V

PROPRIETARY AND CONFIDENTIAL
The information contained in this drawing is the sole property of Old California. Any reproduction in part or as a whole without written permission from Old California is prohibited.

DIMENSIONS

Chandelier Width (Center Sockets)	17 1/2"
Minimum Height (Without Shades)	14"
Ceiling Mounting Plate	5"
Socket Style	Round Shell (RN)
Shade Fitter Size	2 1/4"

EXAMPLES OF AVAILABLE GLASS SHADES



Amber Mission



Victorian Feather



Cherry Blossom
Cylinder



Milk-White Bell



Peacock Feather
Tulip

A much wider selection of shades is available on our website.

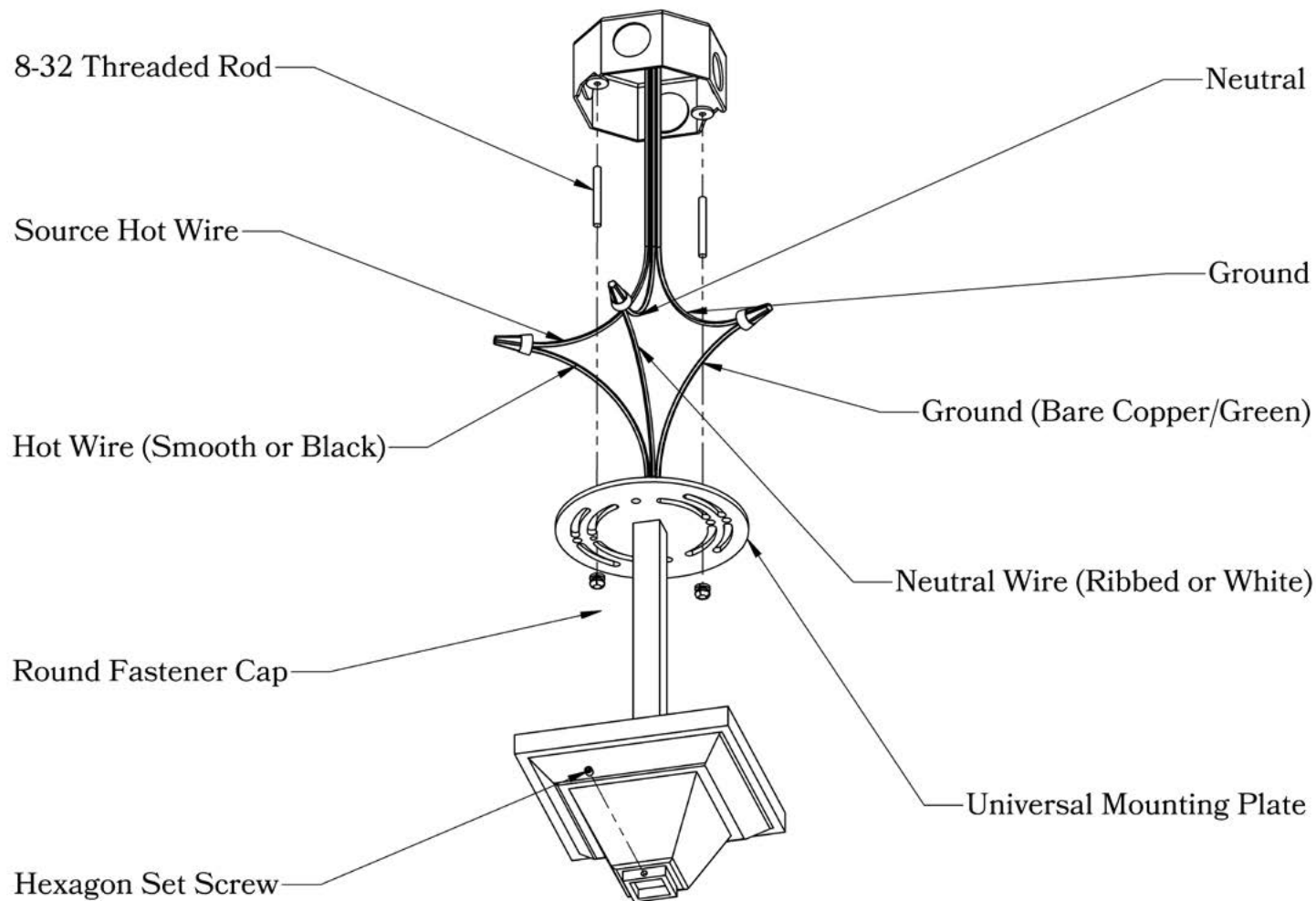
ELECTRICAL SPECS

UL Rating	Damp
Voltage	120V
Socket Type	Medium Base - E26
Number of Light Bulbs	4
Max Wattage per Bulb	60W
LED Bulb	Supplied
Dimmable	Yes

ADDITIONAL INFORMATION

Manufacturer	Old California
Mounting Location	Interior
Material	Brass

MOUNTING INSTRUCTIONS • Ceiling Mount with Sliding Canopy



CAUTION—DISCONNECT POWER

Always shut off power when installing or repairing this (or any other) electrical appliance. Failure to do so may result in severe injury or death. This product must be installed in accordance with applicable installation codes by a person familiar with the construction and operation of the product, and the hazards involved.