

PRODUCT NO. 320-I-SN

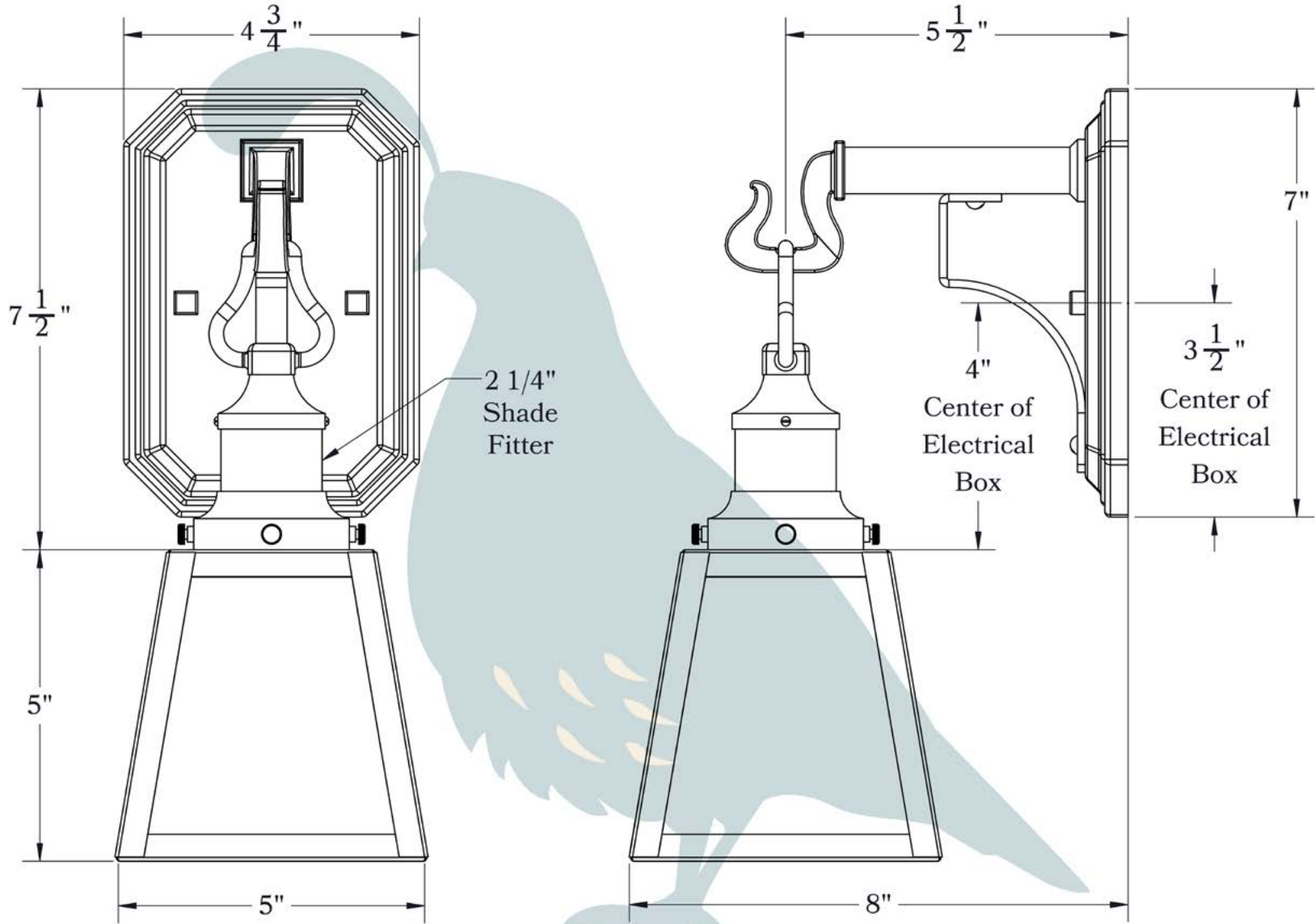


THE PROSPECT TERRACE SERIES

## Sconce

FRAME SHADE OR GLASS SHADE

  
OLD  
CALIFORNIA  
FINE LIGHTING &  
HOME GOODS



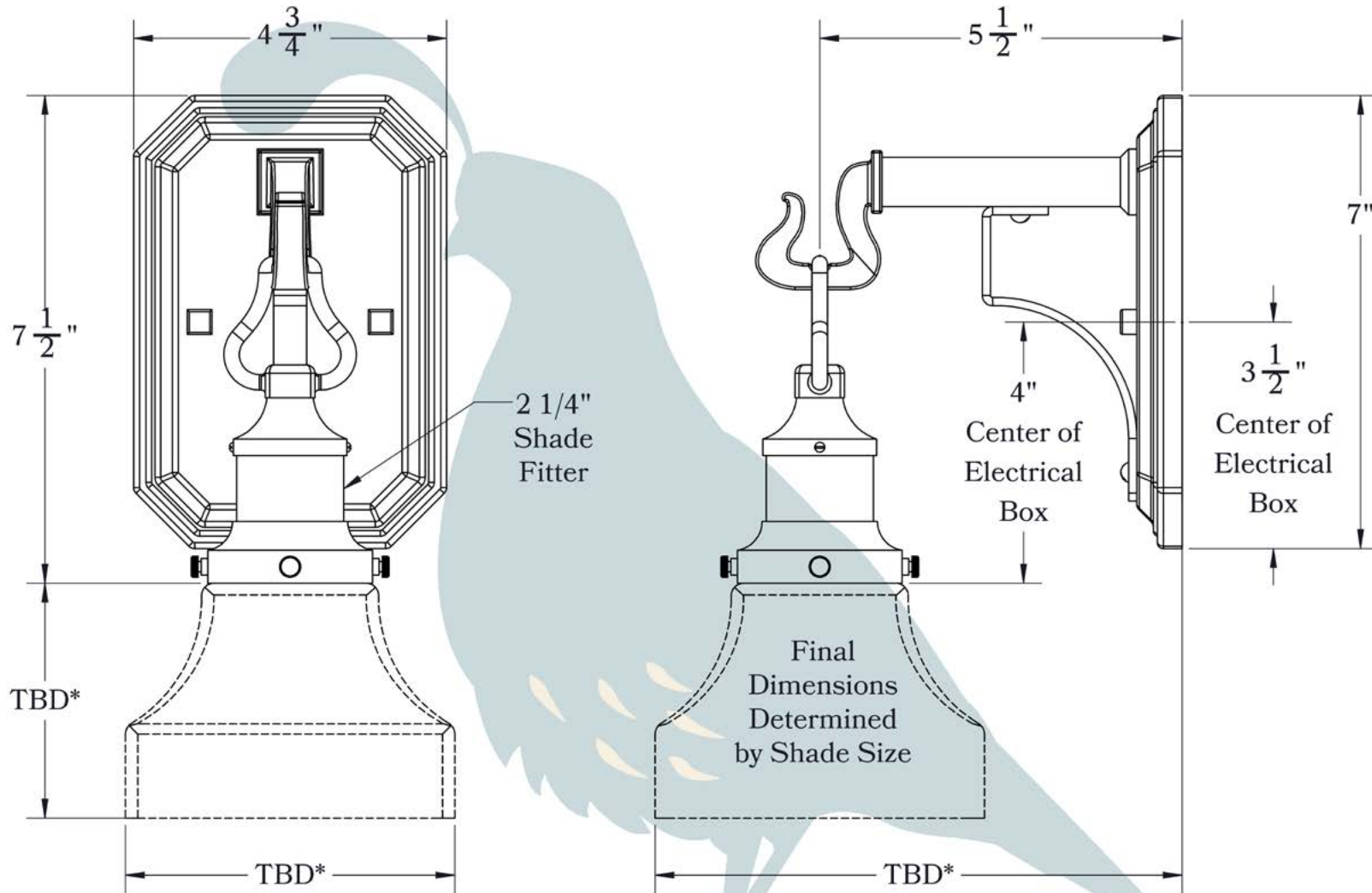
\*TBD: To Be Determined



PRODUCT No.	320-1-SN
TITLE	Prospect Terrace
UL RATING	Damp

LAMP BASE	Medium Base (E26)
WATTAGE	60W
VOLTAGE	120V

**PROPRIETARY AND CONFIDENTIAL**  
The information contained in this drawing is the sole property of Old California. Any reproduction in part or as a whole without written permission from Old California is prohibited.



\*TBD: To Be Determined

## DIMENSIONS

Width	4 3/4"
Height (Without Shade)	7 1/2"
Projection to Center of Socket	5 1/2"
Mounting Plate	4 3/4" x 7"
Socket Style	Square Shell (SN)
Shade Fitter Size	2 1/4"

## ELECTRICAL SPECS

UL Rating	Damp
Voltage	120V
Socket Type	Medium Base - E26
Number of Light Bulbs	1
Max Wattage per Bulb	60W
LED Bulb	Supplied
Dimmable	Yes

## ADDITIONAL INFORMATION

Manufacturer	Old California
Mounting Location	Interior
Material	Brass

## FRAME SHADES



Cross



Arch



Cloud Lift



Arrow

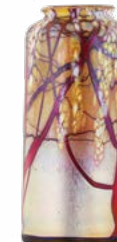
## EXAMPLES OF AVAILABLE GLASS SHADES



Amber Mission



Victorian Feather



Cherry Blossom  
Cylinder

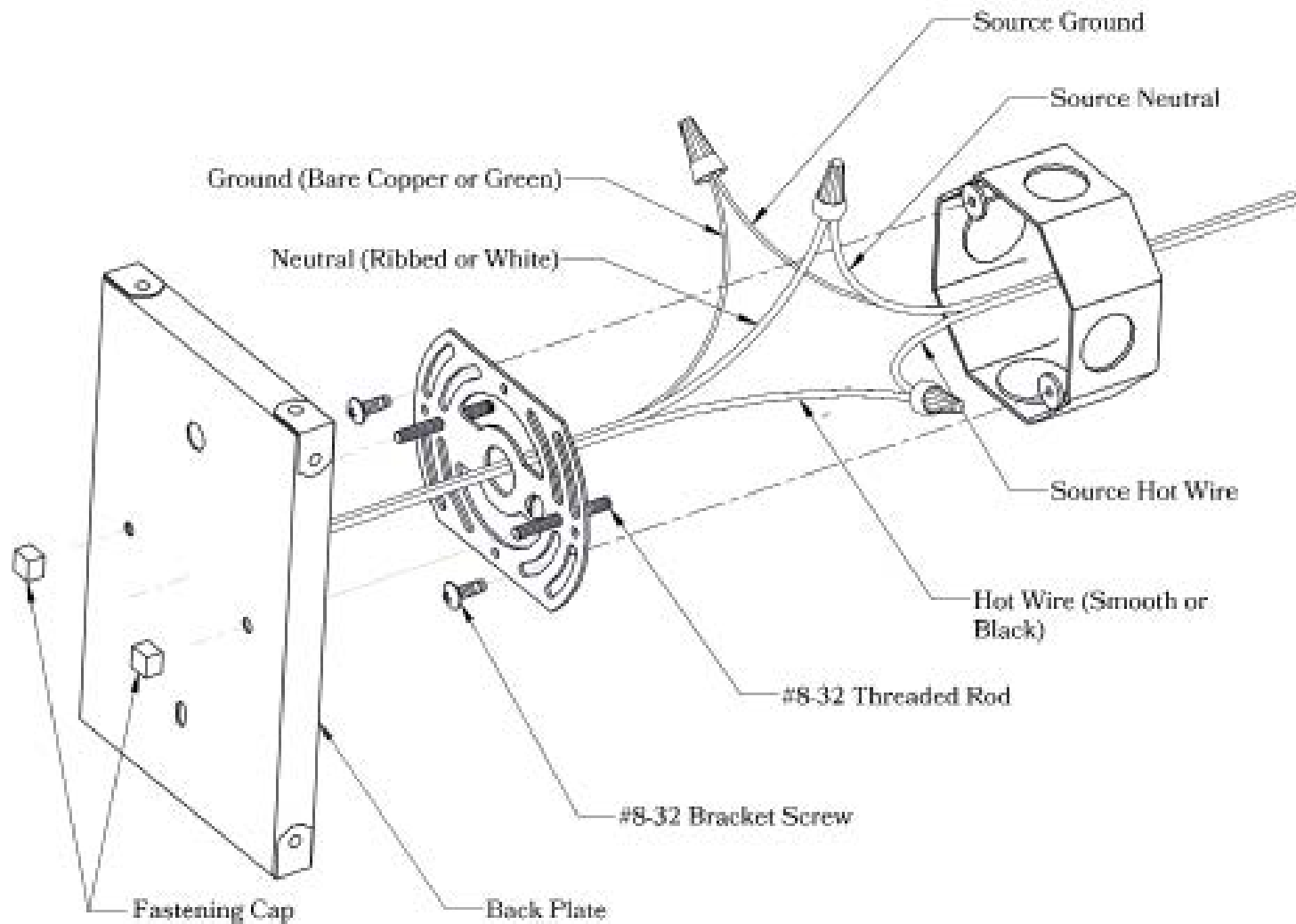


Milk-White Bell



Peacock Feather  
Tulip

A much wider selection of shades is available on our website.

**MOUNTING INSTRUCTIONS • Wall Mount With Caps****CAUTION—DISCONNECT POWER**

Always shut off power when installing or repairing this (or any other) electrical appliance. Failure to do so may result in severe injury or death. This product must be installed in accordance with applicable installation codes by a person familiar with the construction and operation of the product, and the hazards involved.