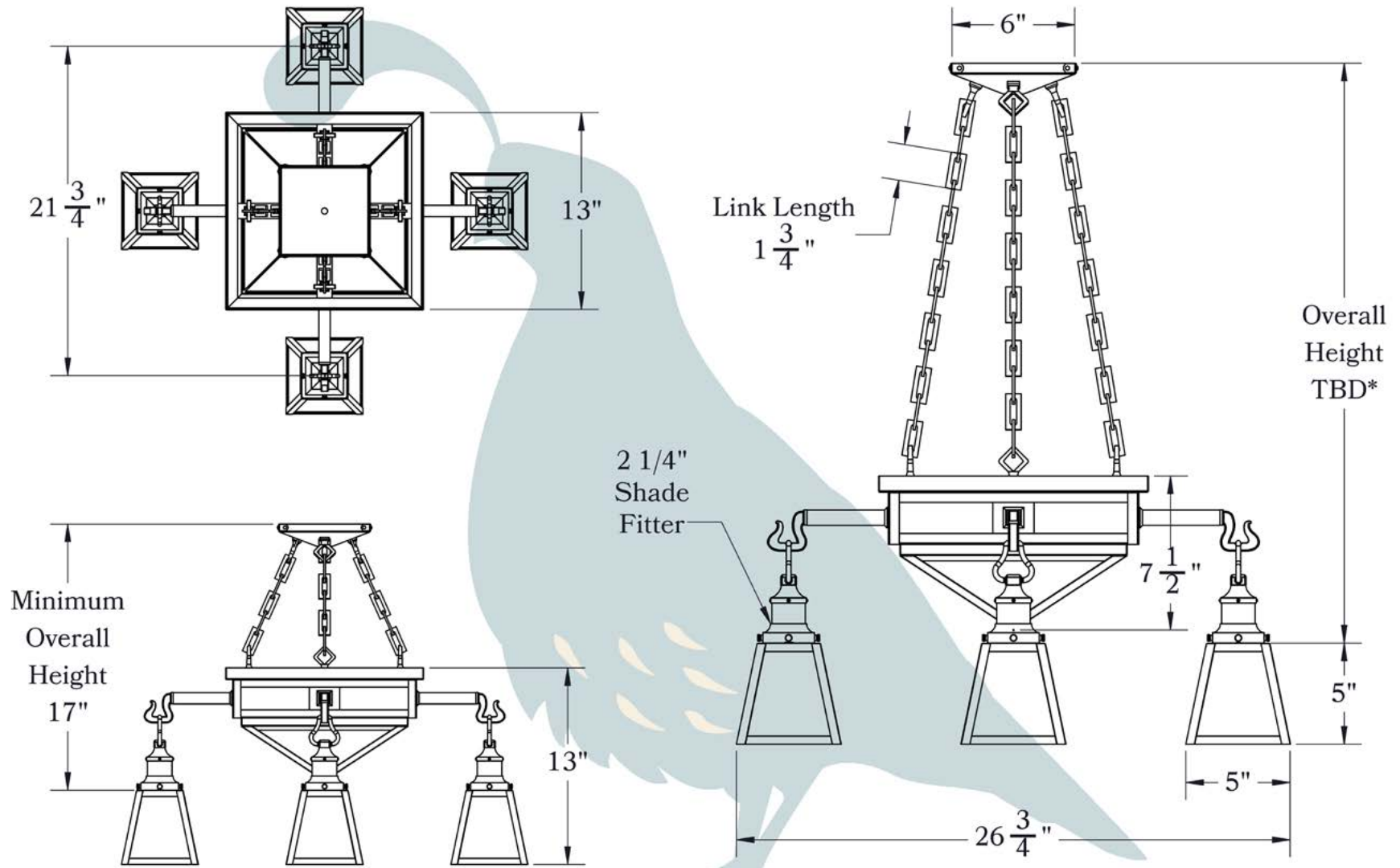




THE PROSPECT TERRACE SERIES
Chandelier with Four Lanterns

FRAME SHADE

OLD CALIFORNIA
FINE LIGHTING &
HOME GOODS



*TBD: To Be Determined



975 N ENTERPRISE ST • ORANGE, CA 92867

PRODUCT No. | 320-24-SN
 TITLE | Prospect Terrace
 UL RATING | Damp

LAMP BASE | Medium Base (E26)
 WATTAGE | 2-60W, 4-60W
 VOLTAGE | 120V

PROPRIETARY AND CONFIDENTIAL
 The information contained in this drawing is the sole property of Old California. Any reproduction in part or as a whole without written permission from Old California is prohibited.

DIMENSIONS

Chandelier Width (Center Sockets)	21 3/4"
Minimum Height (Without Shades)	17"
Ceiling Mounting Plate	6"
Socket Style	Square Shell (SN)
Shade Fitter Size	2 1/4"

ELECTRICAL SPECS

UL Rating	Damp
Voltage	120V
Socket Type	Medium Base - E26
Number of Light Bulbs	6
Max Wattage per Bulb	60W
LED Bulb	Supplied
Dimmable	Yes

ADDITIONAL INFORMATION

Manufacturer	Old California
Mounting Location	Interior
Material	Brass

FRAME SHADES



Cross



Arch

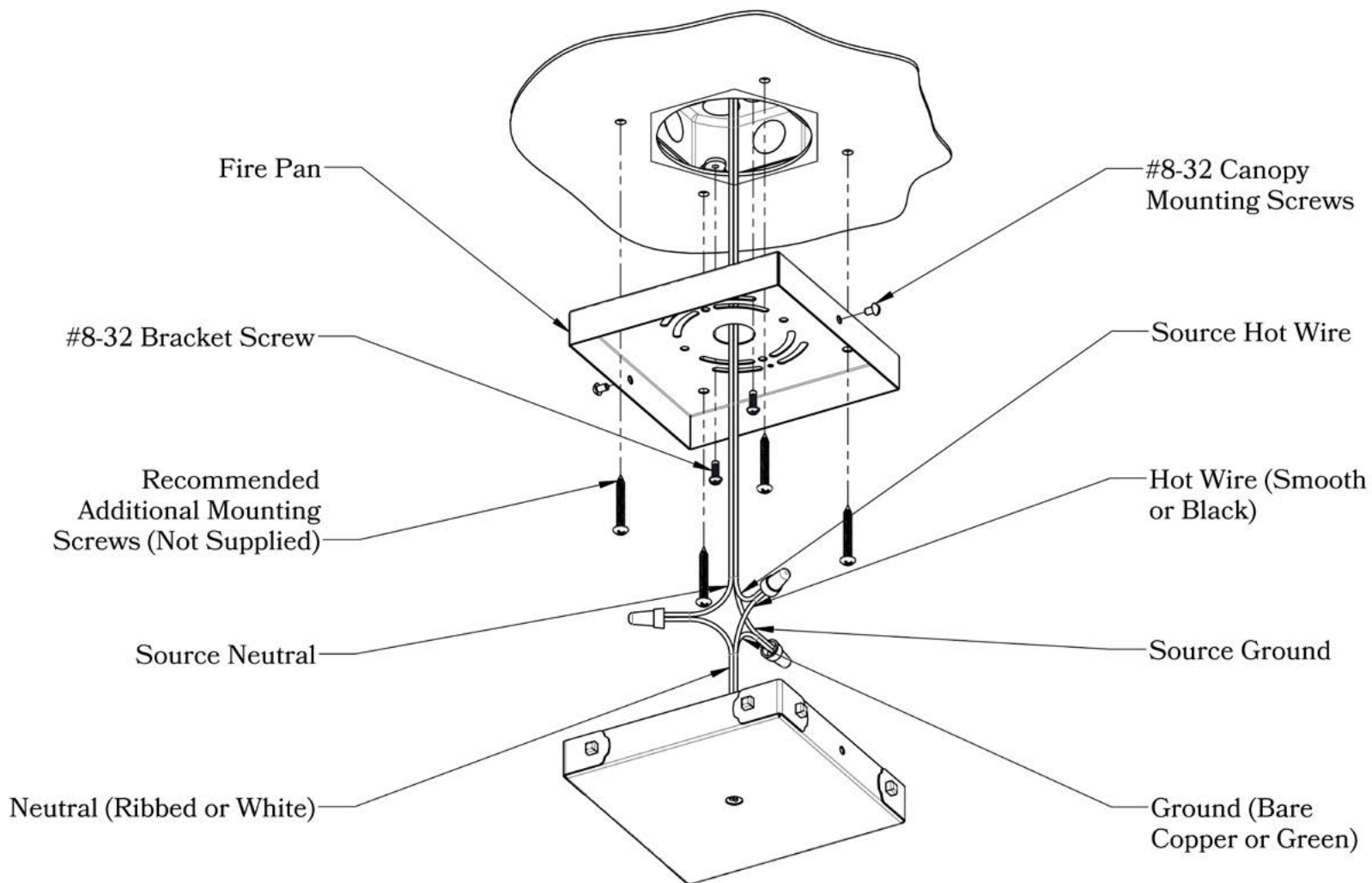


Cloud Lift



Arrow

MOUNTING INSTRUCTIONS • Chain Mount With Fire Pan



CAUTION—DISCONNECT POWER

Always shut off power when installing or repairing this (or any other) electrical appliance. Failure to do so may result in severe injury or death. This product must be installed in accordance with applicable installation codes by a person familiar with the construction and operation of the product, and the hazards involved.