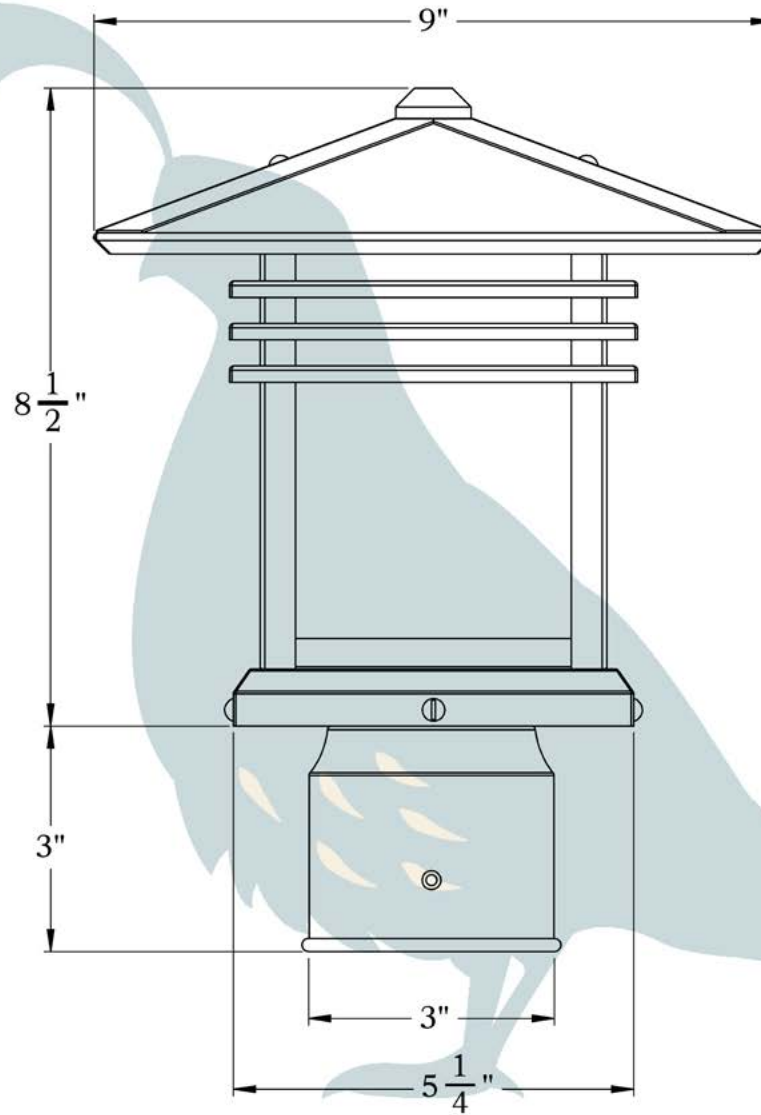




THE MARIPOSA SERIES
Post Mount Lantern
SMALL

OLD CALIFORNIA
FINE LIGHTING &
HOME GOODS

Small



DIMENSIONS

Roof Width	9"
Body Width	5 1/4"
Lantern Height	8 1/2"
Height	11 1/2"
Mounts To	3" Diameter Post

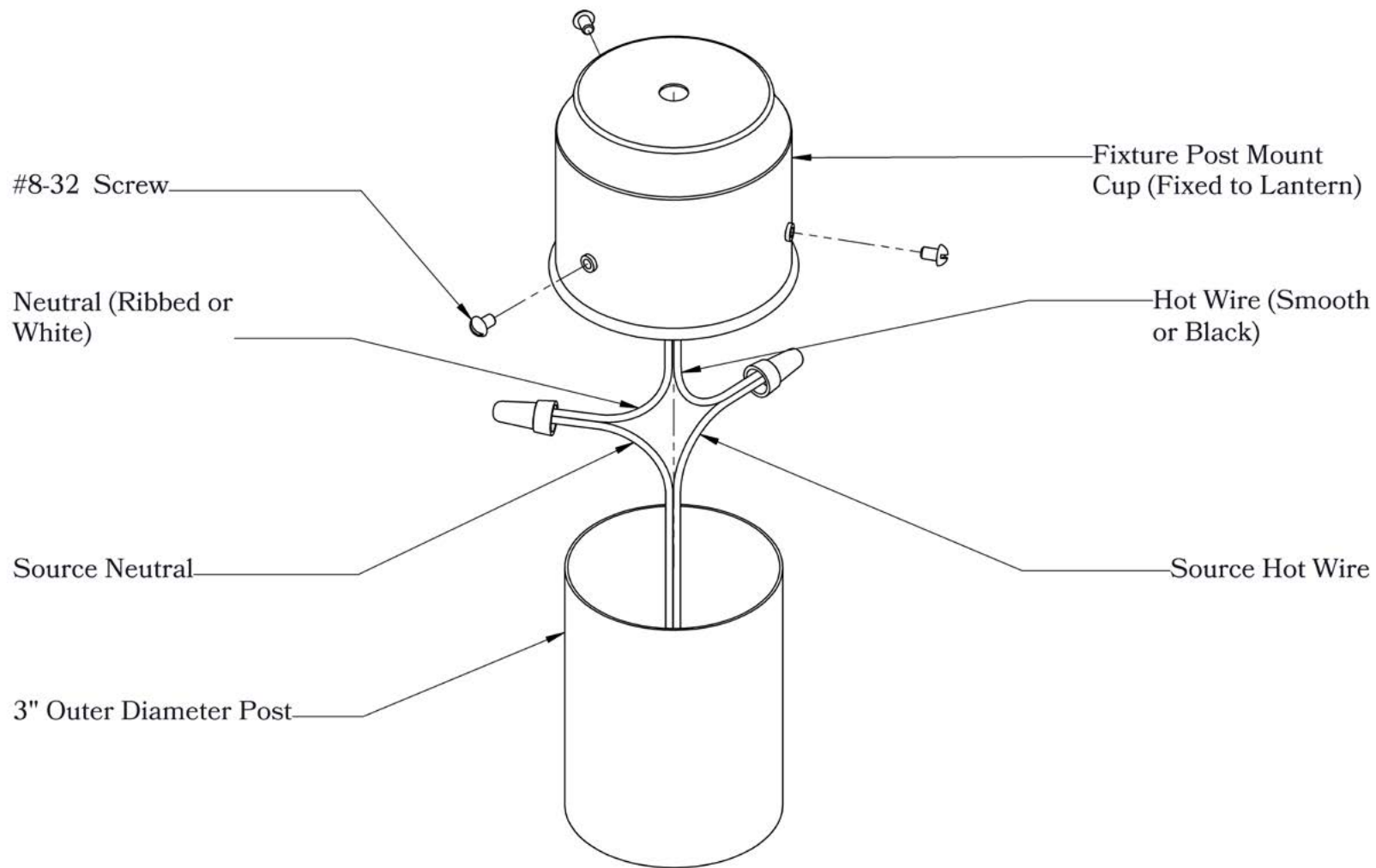
ELECTRICAL SPECS

UL Rating	Wet
Voltage	12V or 120V
Socket Type	Medium Base - E26
Number of Light Bulbs	1
Max Wattage per Bulb	60W
LED Bulb	Supplied

ADDITIONAL INFORMATION

Manufacturer	Old California
Mounting Location	Exterior Only
Material	Brass
Multiple Overlay Options	No
Optional Post Available	Yes

MOUNTING INSTRUCTIONS • 3-inch Metal Post (12 Volts)



CAUTION—DISCONNECT POWER

Always shut off power when installing or repairing this (or any other) electrical appliance. Failure to do so may result in severe injury or death. This product must be installed in accordance with applicable installation codes by a person familiar with the construction and operation of the product, and the hazards involved.