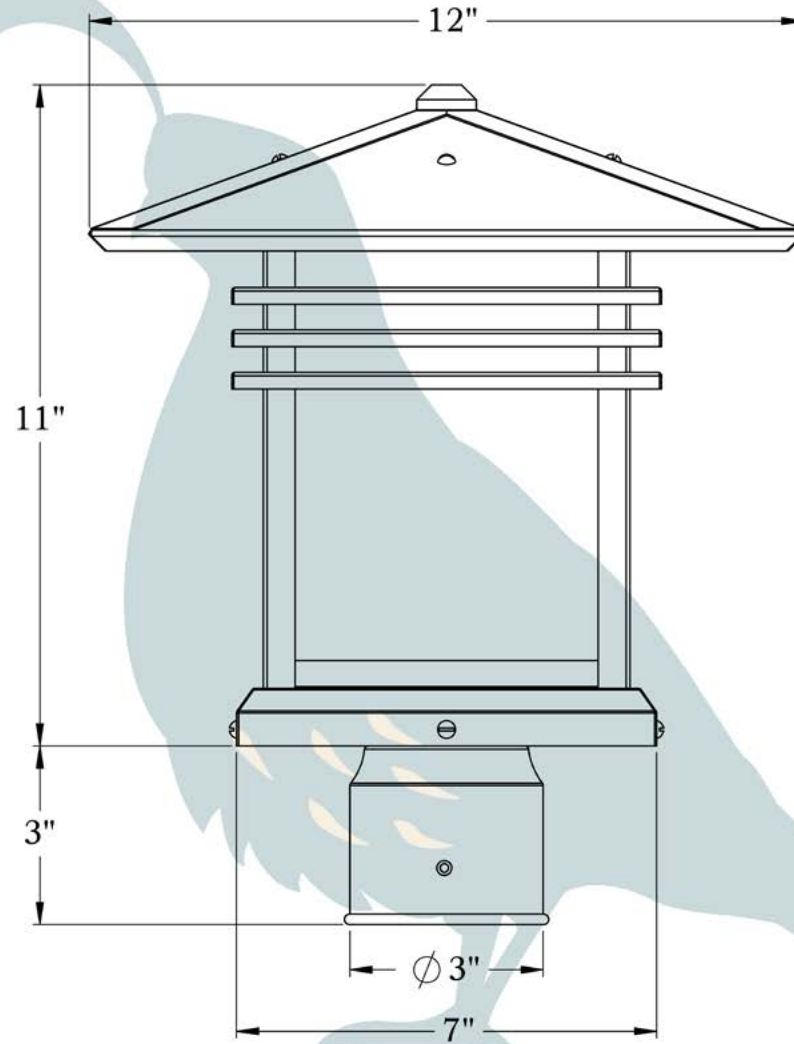




THE MARIPOSA SERIES  
**Post Mount Lantern**  
MEDIUM

**OLD CALIFORNIA**  
FINE LIGHTING &  
HOME GOODS

# Medium



## DIMENSIONS

Roof Width	12"
Body Width	7"
Lantern Height	11"
Height	14"
Mounts To	3" Diameter Post

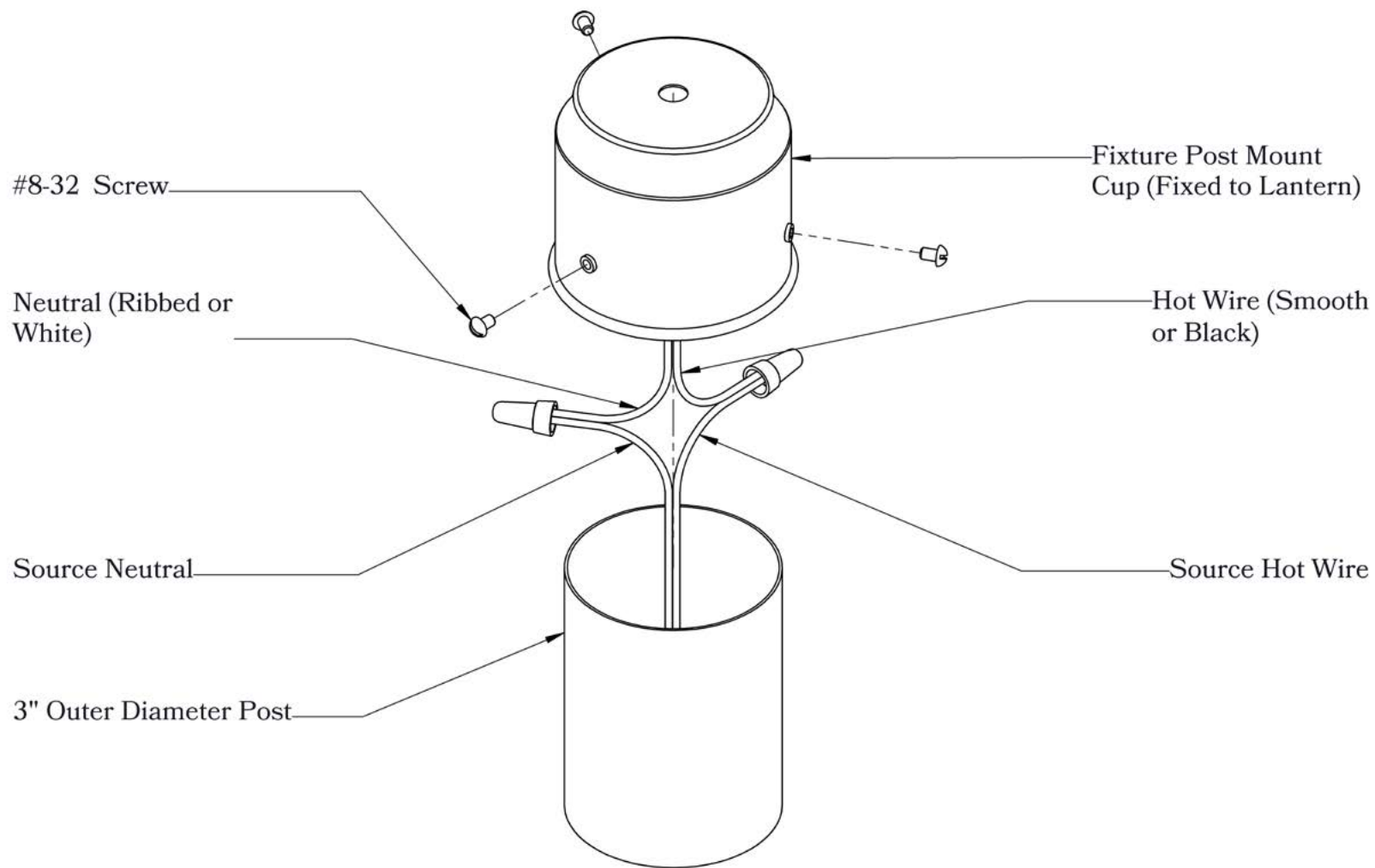
## ELECTRICAL SPECS

UL Rating	Wet
Voltage	12V or 120V
Socket Type	Medium Base - E26
Number of Light Bulbs	1
Max Wattage per Bulb	100W
LED Bulb	Supplied

## ADDITIONAL INFORMATION

Manufacturer	Old California
Mounting Location	Exterior Only
Material	Brass
Multiple Overlay Options	No
Optional Post Available	Yes

**MOUNTING INSTRUCTIONS • 3-inch Metal Post (12 Volts)**



**CAUTION—DISCONNECT POWER**

Always shut off power when installing or repairing this (or any other) electrical appliance. Failure to do so may result in severe injury or death. This product must be installed in accordance with applicable installation codes by a person familiar with the construction and operation of the product, and the hazards involved.