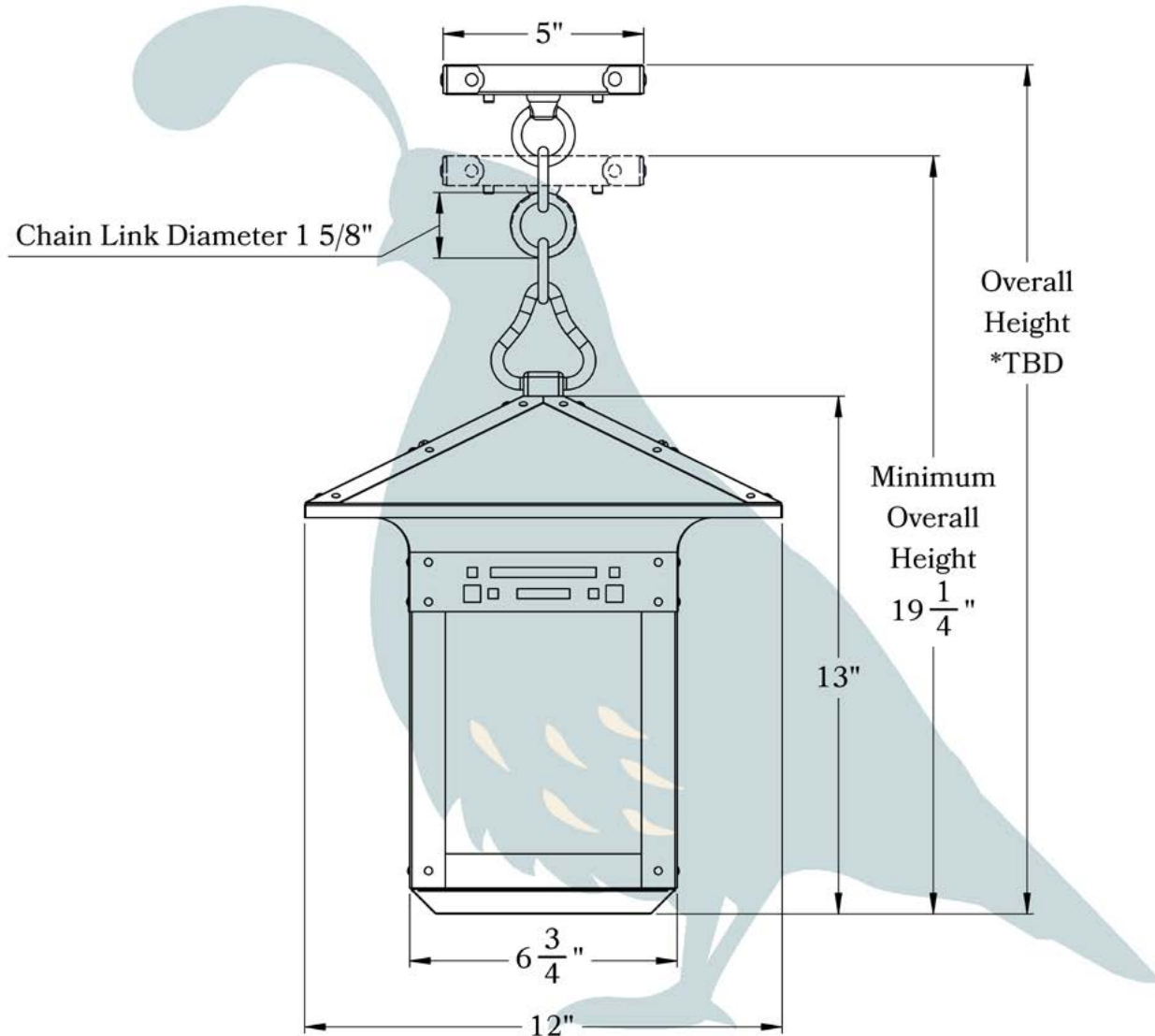




THE GLEN CANYON SERIES
Chain Pendant Lantern
MEDIUM

OLD CALIFORNIA
FINE LIGHTING &
HOME GOODS

Medium



*TBD= To be determined

PROPRIETARY AND CONFIDENTIAL

The information contained in this drawing is the sole property of Old California. Any reproduction in part or as a whole without written permission from Old California is prohibited.

OLD CALIFORNIA
 975 N ENTERPRISE ST • ORANGE, CA 92867

| | | | |
|-------------|-------------|-------------|-------------------|
| PRODUCT No. | 403-4 | LAMP BASE | Medium Base (E26) |
| TITLE | Glen Canyon | MAX WATTAGE | 100W |
| UL RATING | Damp | VOLTAGE | 120V |

DIMENSIONS

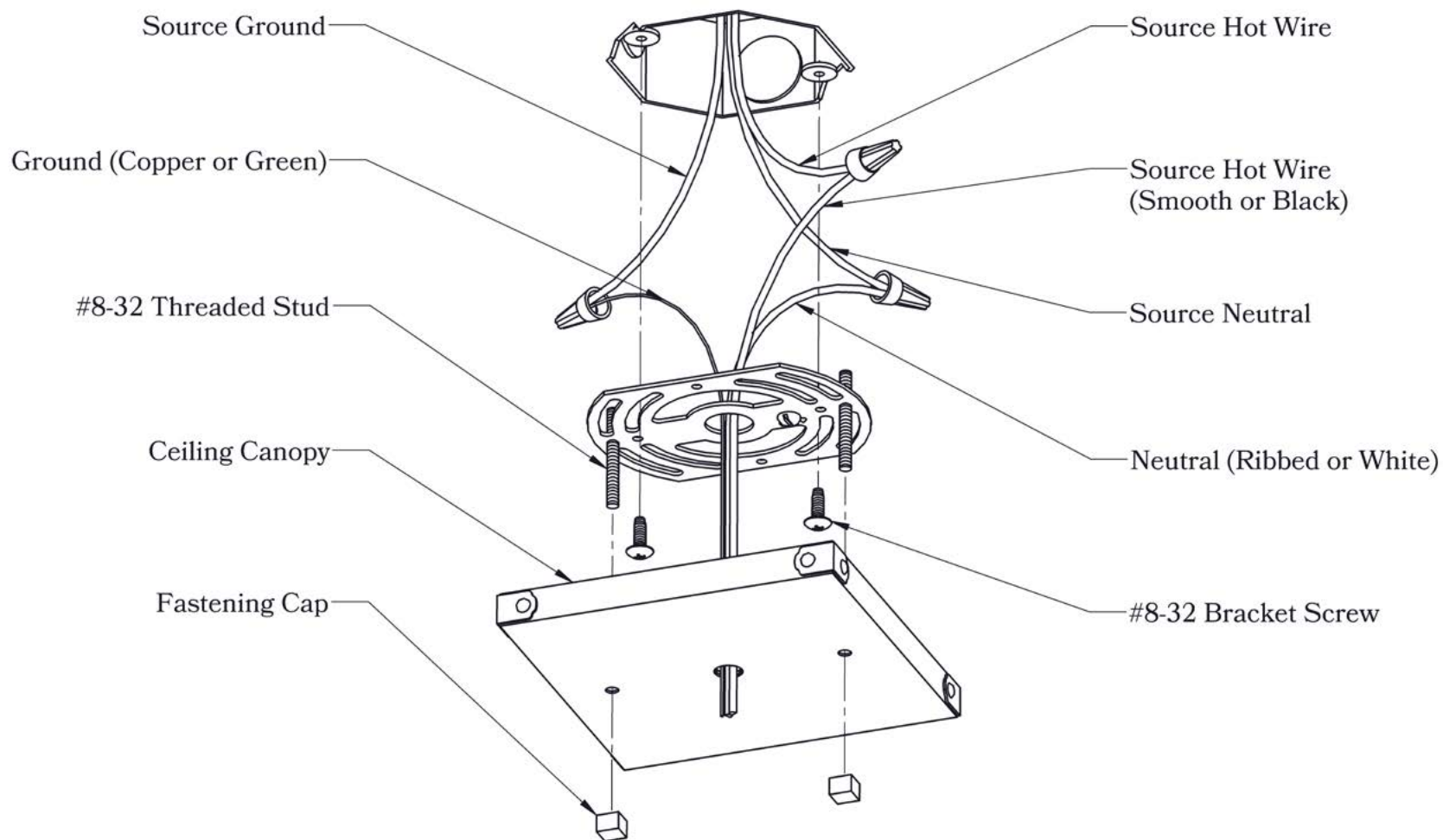
| | |
|----------------|---------|
| Roof Width | 12" |
| Body Width | 6 3/4" |
| Lantern Height | 13" |
| Minimum Height | 19 1/4" |
| Canopy | 5" |

ELECTRICAL SPECS

| | |
|-----------------------|-------------------|
| UL Rating | Damp |
| Voltage | 120V |
| Socket Type | Medium Base - E26 |
| Number of Light Bulbs | 1 |
| Max Wattage per Bulb | 100W |
| LED Bulb | Supplied |
| Dimmable | Yes |

ADDITIONAL INFORMATION

| | |
|--------------------------|-----------------------|
| Manufacturer | Old California |
| Mounting Location | Interior and Exterior |
| Material | Brass |
| Multiple Overlay Options | No |
| Bottom Glass Panels | Included |

MOUNTING INSTRUCTIONS • Chain Mount Without Fire Pan**CAUTION—DISCONNECT POWER**

Always shut off power when installing or repairing this (or any other) electrical appliance. Failure to do so may result in severe injury or death. This product must be installed in accordance with applicable installation codes by a person familiar with the construction and operation of the product, and the hazards involved.