



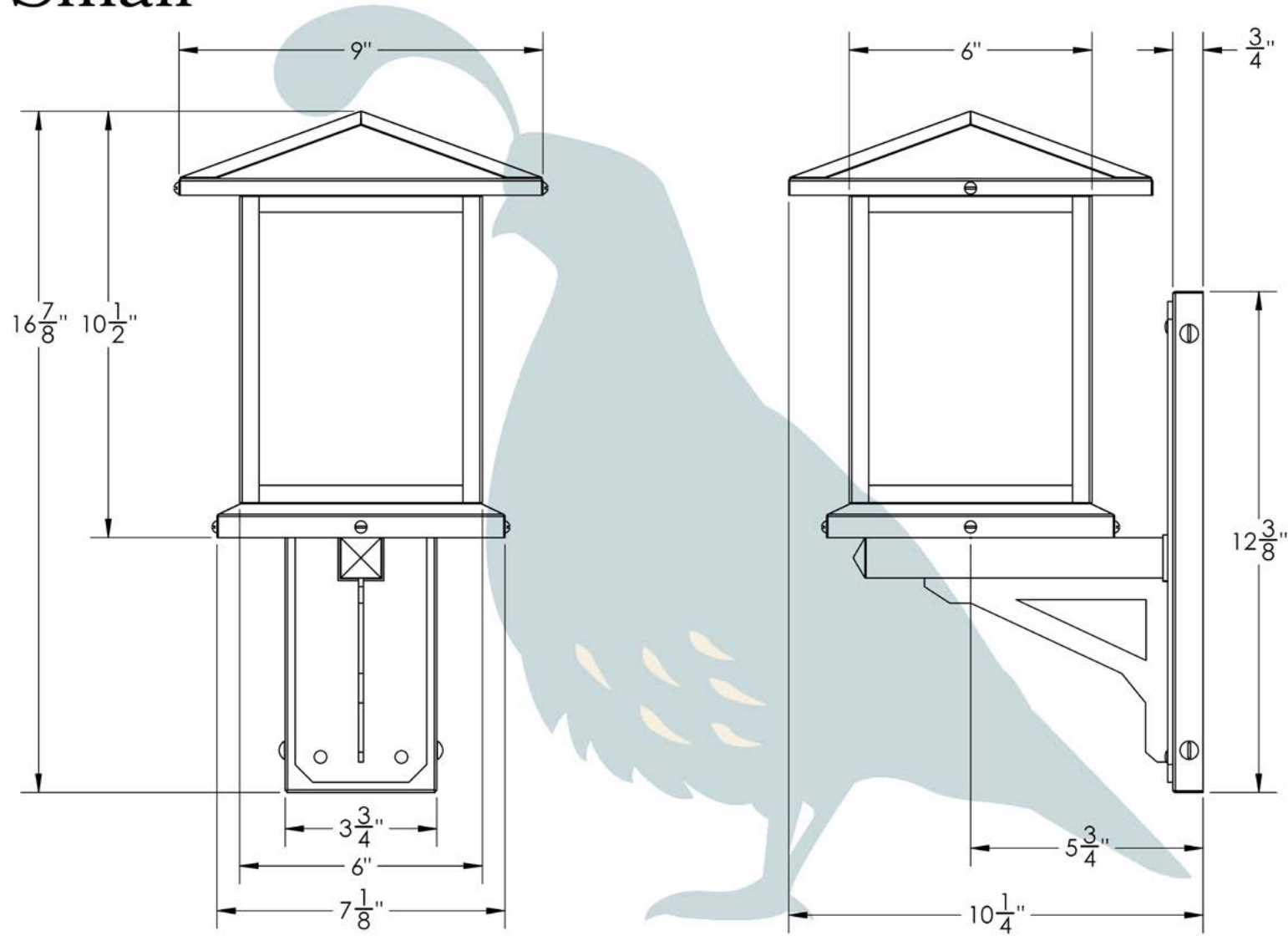
THE UNION TOWNSHIP SERIES

**Sconce**

SMALL

**OLD CALIFORNIA**  
FINE LIGHTING &  
HOME GOODS

# Small



975 N ENTERPRISE ST • ORANGE, CA 92867

PRODUCT No.	4102-12	LAMP BASE	Medium Base (E26)
TITLE	Union Township	MAX WATTAGE	60W
UL RATING	Wet	VOLTAGE	120V

**PROPRIETARY AND CONFIDENTIAL**  
 The information contained in this drawing is the sole property of Old California. Any reproduction in part or as a whole without written permission from Old California is prohibited.

## DIMENSIONS

Roof Width	9"
Body Width	6"
Lantern Height	10 1/2"
Height	16 7/8"
Projection	10 1/4"
Mounting Plate	3 3/4" x 12 3/8"

## ELECTRICAL SPECS

UL Rating	Wet
Voltage	120V
Socket Type	Medium Base - E26
Number of Light Bulbs	1
Max Wattage per Bulb	60W
LED Bulb	Supplied
Dimmable	Yes

## ADDITIONAL INFORMATION

Manufacturer	Old California
Mounting Location	Interior and Exterior
Material	Brass

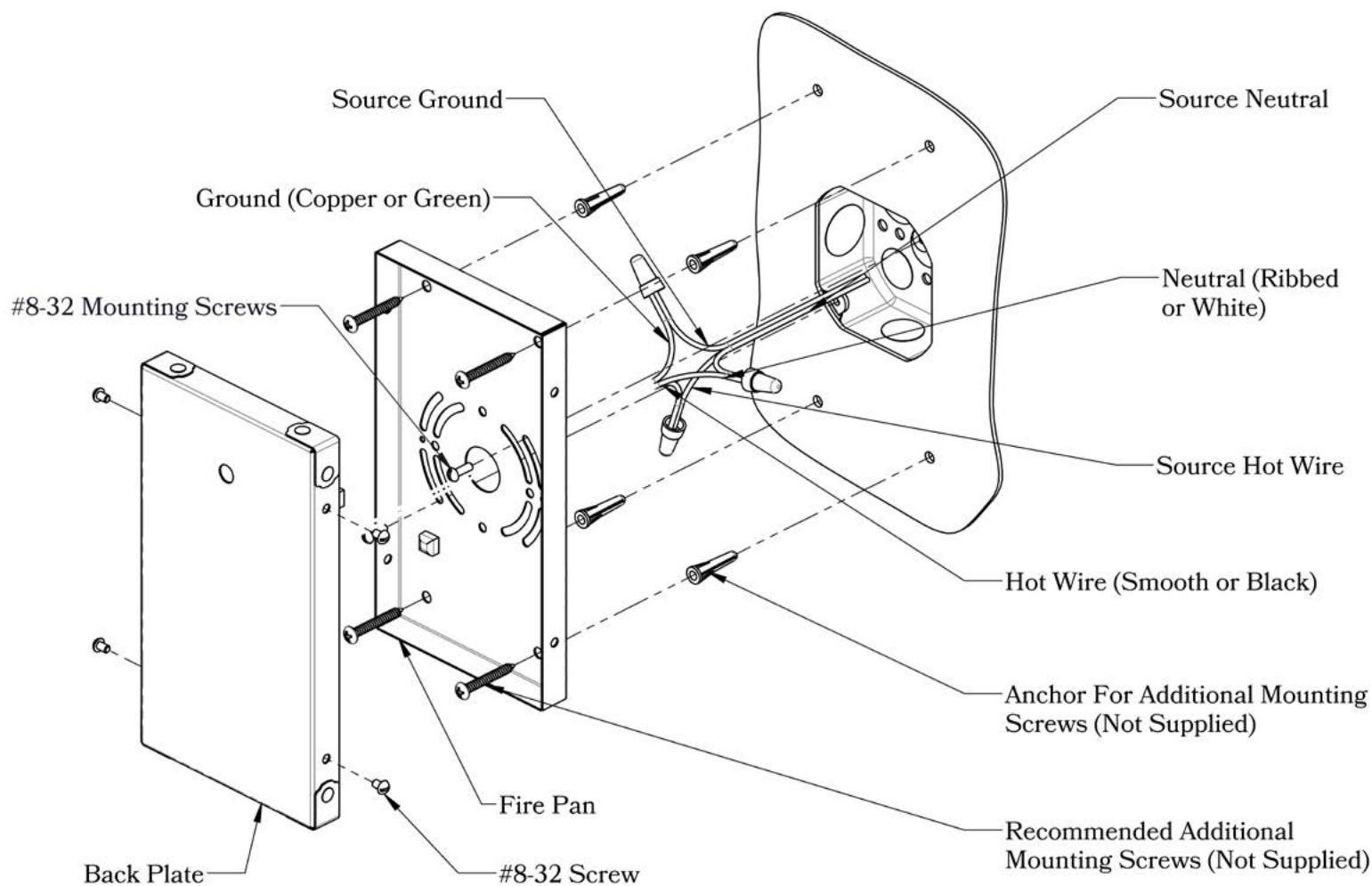
## OVERLAYS AVAILABLE IN THIS SERIES



Union Township



Glass Only

**MOUNTING INSTRUCTIONS • Wall Mount With Fire Pan****CAUTION—DISCONNECT POWER**

Always shut off power when installing or repairing this (or any other) electrical appliance. Failure to do so may result in severe injury or death. This product must be installed in accordance with applicable installation codes by a person familiar with the construction and operation of the product, and the hazards involved.