

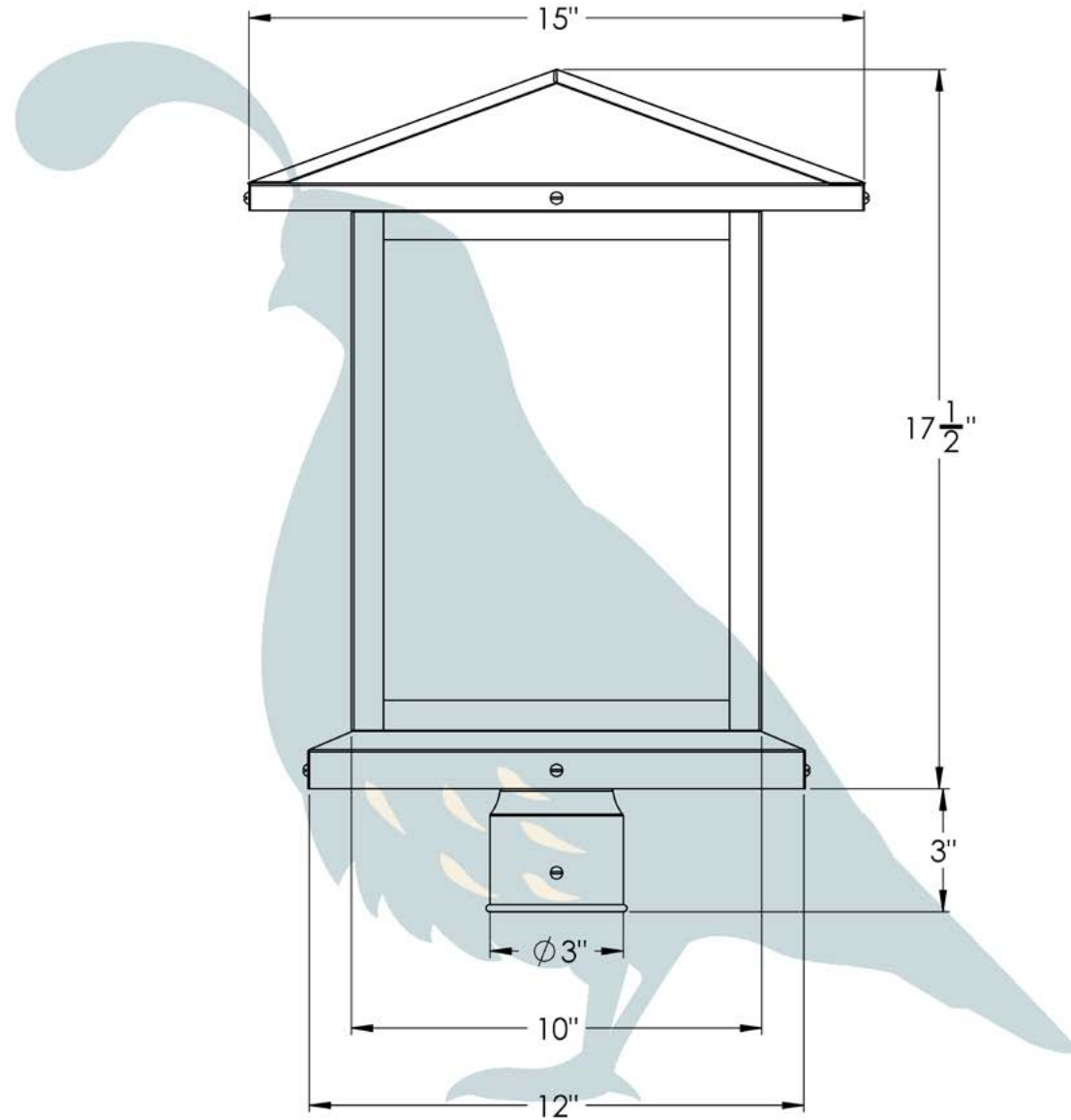


THE UNION TOWNSHIP SERIES
Post Mount Lantern

LARGE

OLD CALIFORNIA
FINE LIGHTING &
HOME GOODS

Large



DIMENSIONS

Roof Width	15"
Body Width	9 3/4"
Lantern Height	17 1/2"
Height	20 1/2"
Mounts To	3" Diameter Post

ELECTRICAL SPECS

UL Rating	Wet
Voltage	12V or 120V
Socket Type	Medium Base - E26
Number of Light Bulbs	1
Max Wattage per Bulb	100W
LED Bulb	Supplied

ADDITIONAL INFORMATION

Manufacturer	Old California
Mounting Location	Exterior Only
Material	Brass
Multiple Overlay Options	Yes
Optional Post Available	Yes

OVERLAYS AVAILABLE IN THIS SERIES

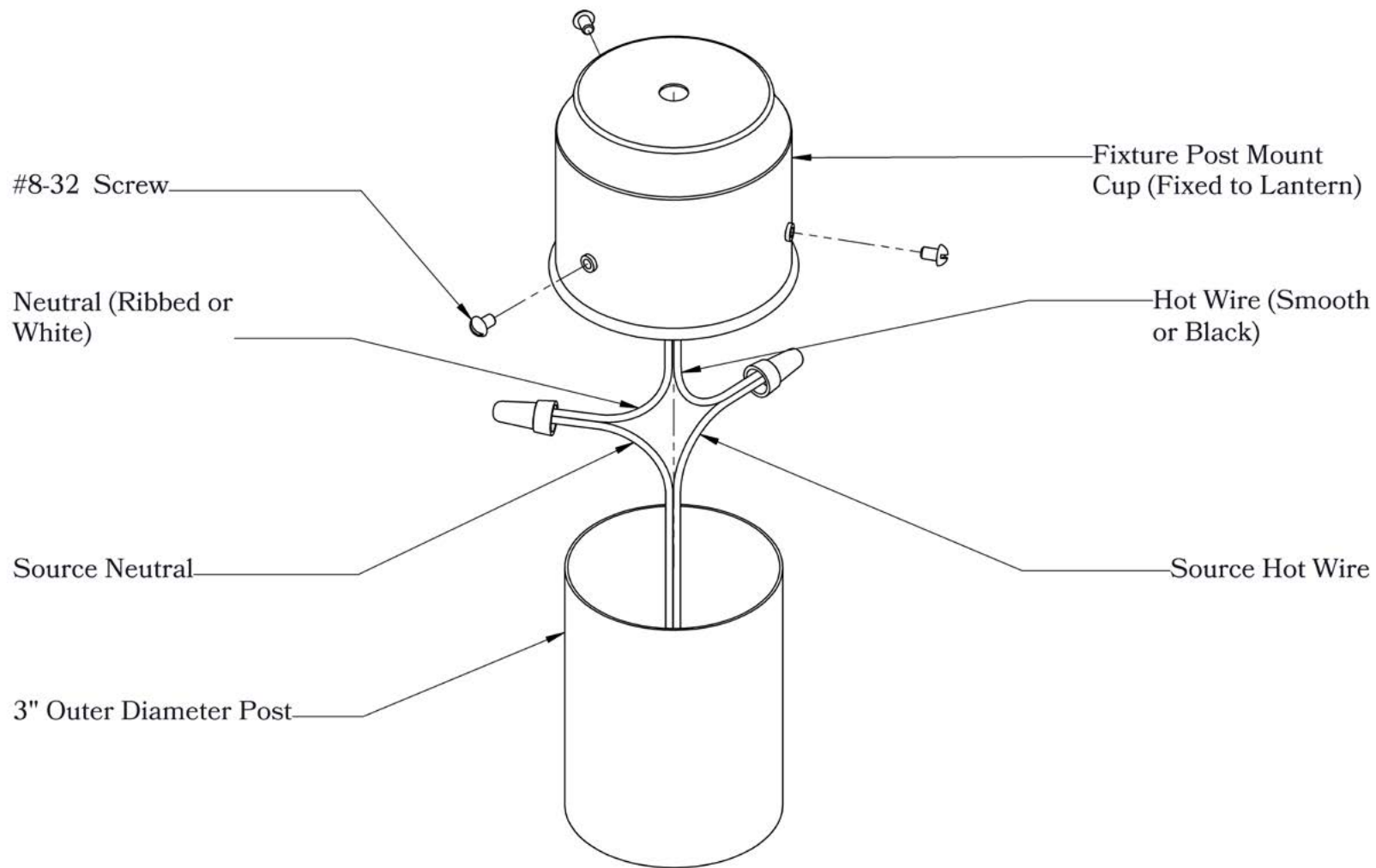


Union Township



Glass Only

MOUNTING INSTRUCTIONS • 3-inch Metal Post (12 Volts)



CAUTION—DISCONNECT POWER

Always shut off power when installing or repairing this (or any other) electrical appliance. Failure to do so may result in severe injury or death. This product must be installed in accordance with applicable installation codes by a person familiar with the construction and operation of the product, and the hazards involved.