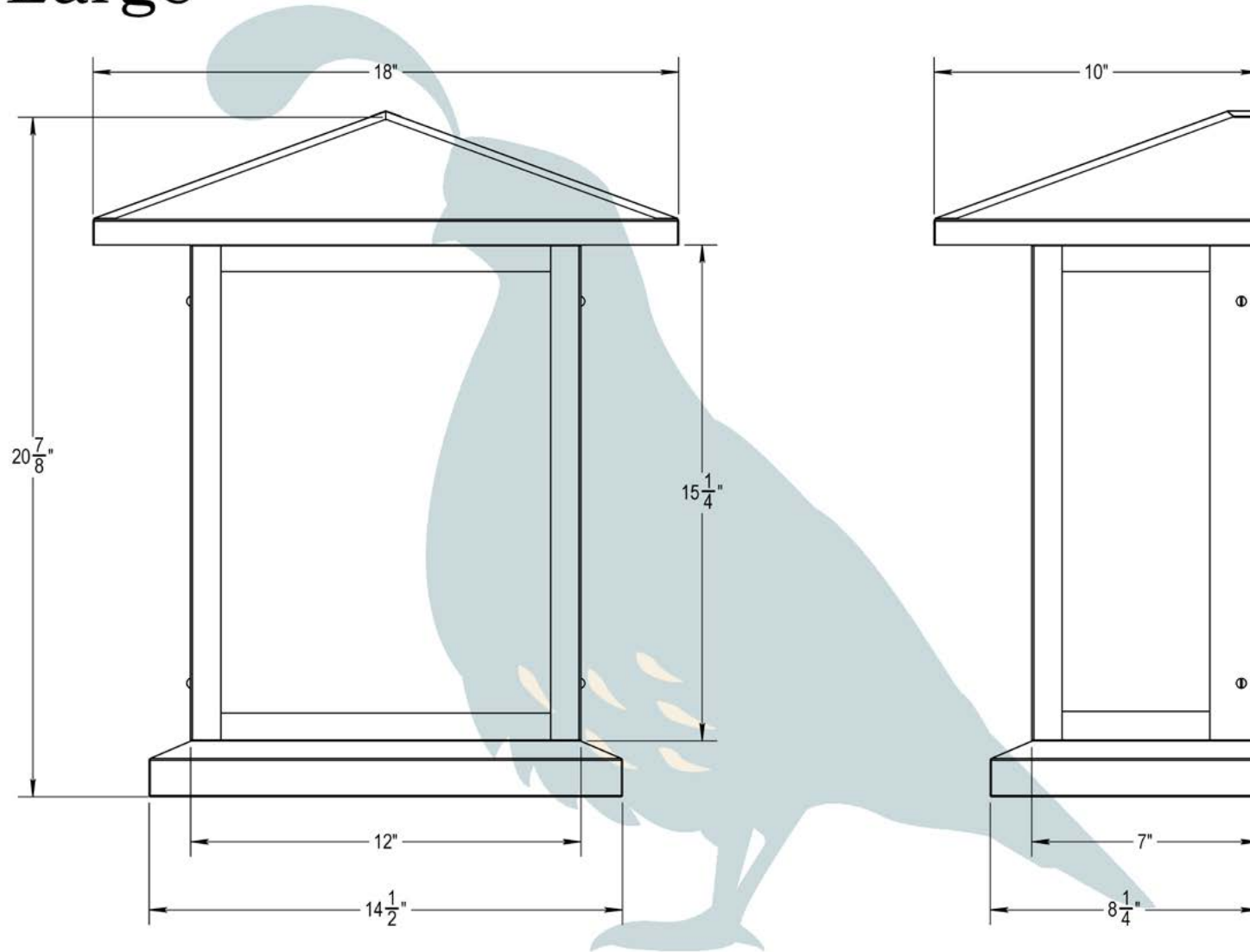


THE UNION TOWNSHIP SERIES
Flush Mount Sconce
EXTRA LARGE


OLD CALIFORNIA
FINE LIGHTING &
HOME GOODS

X Large



| | | | |
|-------------|----------------|-------------|-------------------|
| PRODUCT No. | 4105-2 | LAMP BASE | Medium Base (E26) |
| TITLE | Union Township | MAX WATTAGE | 100W |
| UL RATING | Wet | VOLTAGE | 120V |

PROPRIETARY AND CONFIDENTIAL
 The information contained in this drawing is the sole property of Old California. Any reproduction in part or as a whole without written permission from Old California is prohibited.

DIMENSIONS

| | |
|------------|---------|
| Roof Width | 18" |
| Body Width | 11 3/4" |
| Height | 20 7/8" |
| Projection | 10" |

ELECTRICAL SPECS

| | |
|-----------------------|-------------------|
| UL Rating | Wet |
| Voltage | 120V |
| Socket Type | Medium Base - E26 |
| Number of Light Bulbs | 1 |
| Max Wattage per Bulb | 100W |
| LED Bulb Supplied | Yes |
| Dimmable | Yes |

ADDITIONAL INFORMATION

| | |
|--------------------------|-----------------------|
| Manufacturer | Old California |
| Mounting Location | Interior and Exterior |
| Material | Brass |
| Multiple Overlay Options | Yes |
| Bottom Glass Panels | Not Available |

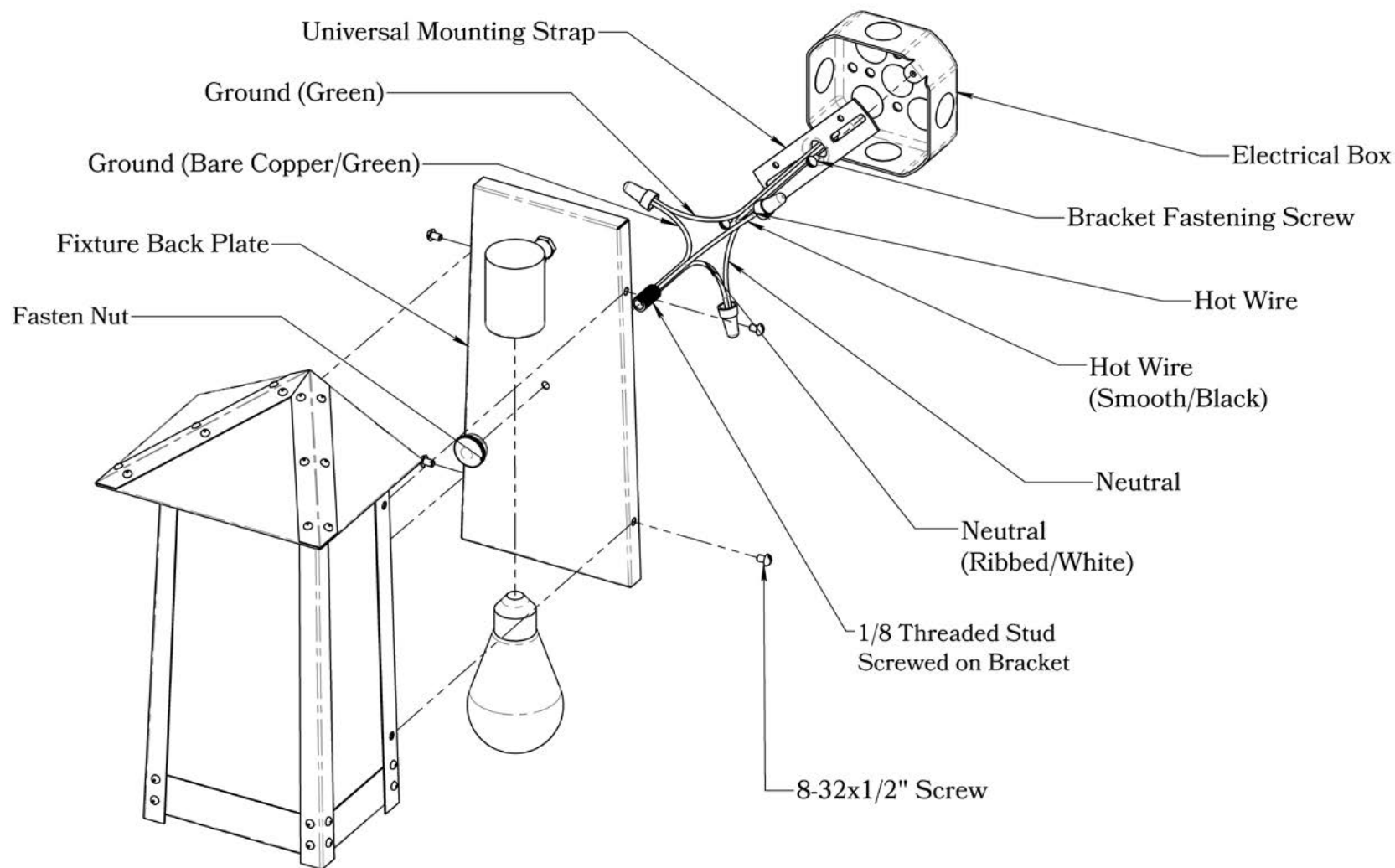
OVERLAYS AVAILABLE IN THIS SERIES



Union Township



Glass Only

MOUNTING INSTRUCTIONS • Flush Wall Mount Version 1**CAUTION—DISCONNECT POWER**

Always shut off power when installing or repairing this (or any other) electrical appliance. Failure to do so may result in severe injury or death. This product must be installed in accordance with applicable installation codes by a person familiar with the construction and operation of the product, and the hazards involved.