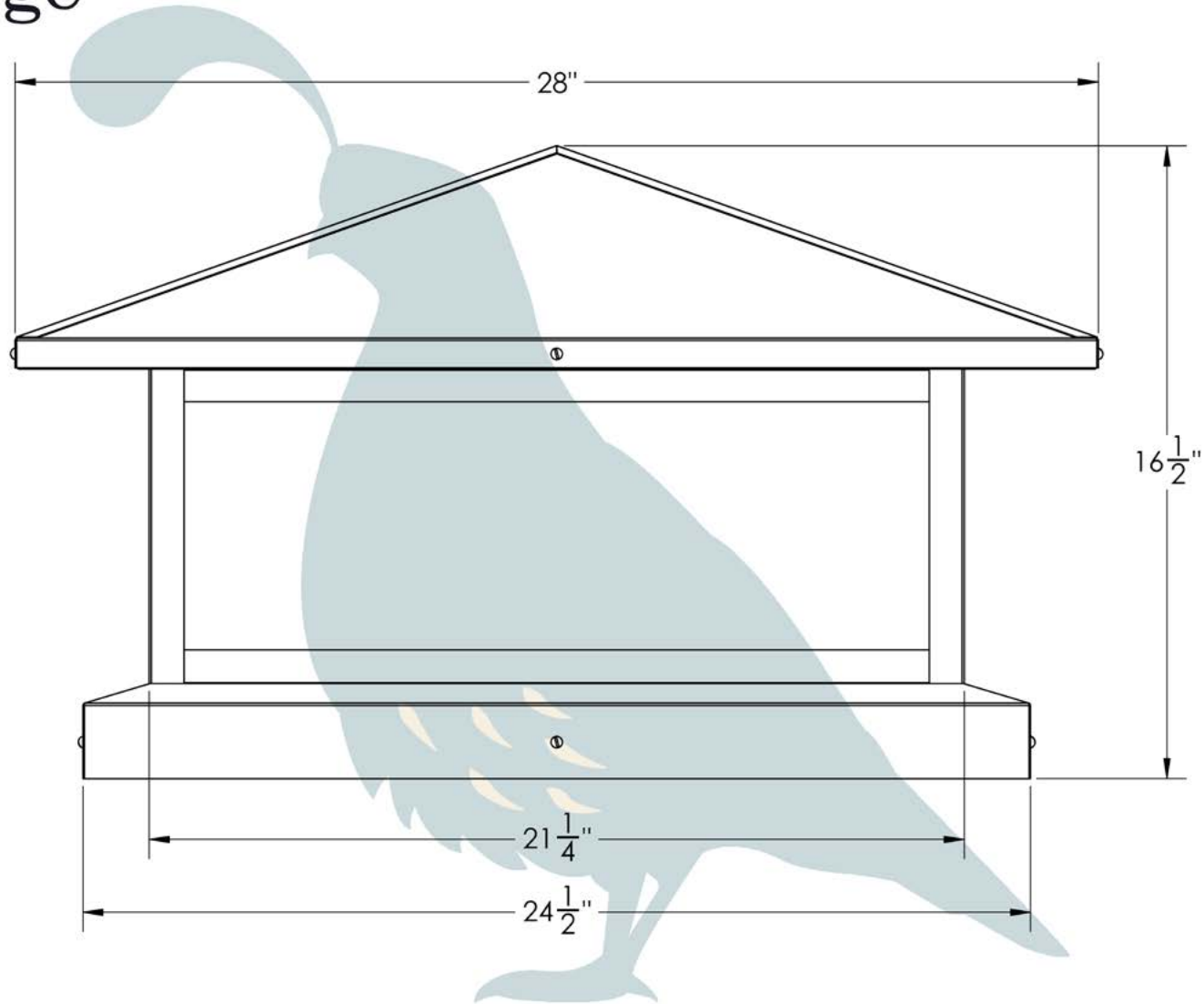




THE UNION TOWNSHIP SERIES  
**Shallow Column  
Mount Lantern**  
4XL

# 4X Large



975 N ENTERPRISE ST • ORANGE, CA 92867

PRODUCT No.	4108-61	LAMP BASE	Medium Base (E26)
TITLE	Union Township	MAX WATTAGE	4-60W
UL RATING	Wet	VOLTAGE	12V or 120V

**PROPRIETARY AND CONFIDENTIAL**  
The information contained in this drawing is the sole property of Old California. Any reproduction in part or as a whole without written permission from Old California is prohibited.

## DIMENSIONS

Roof Width	28"
Body Width	21 1/4"
Height	16 1/2"
Mounting Plate	24 1/2"

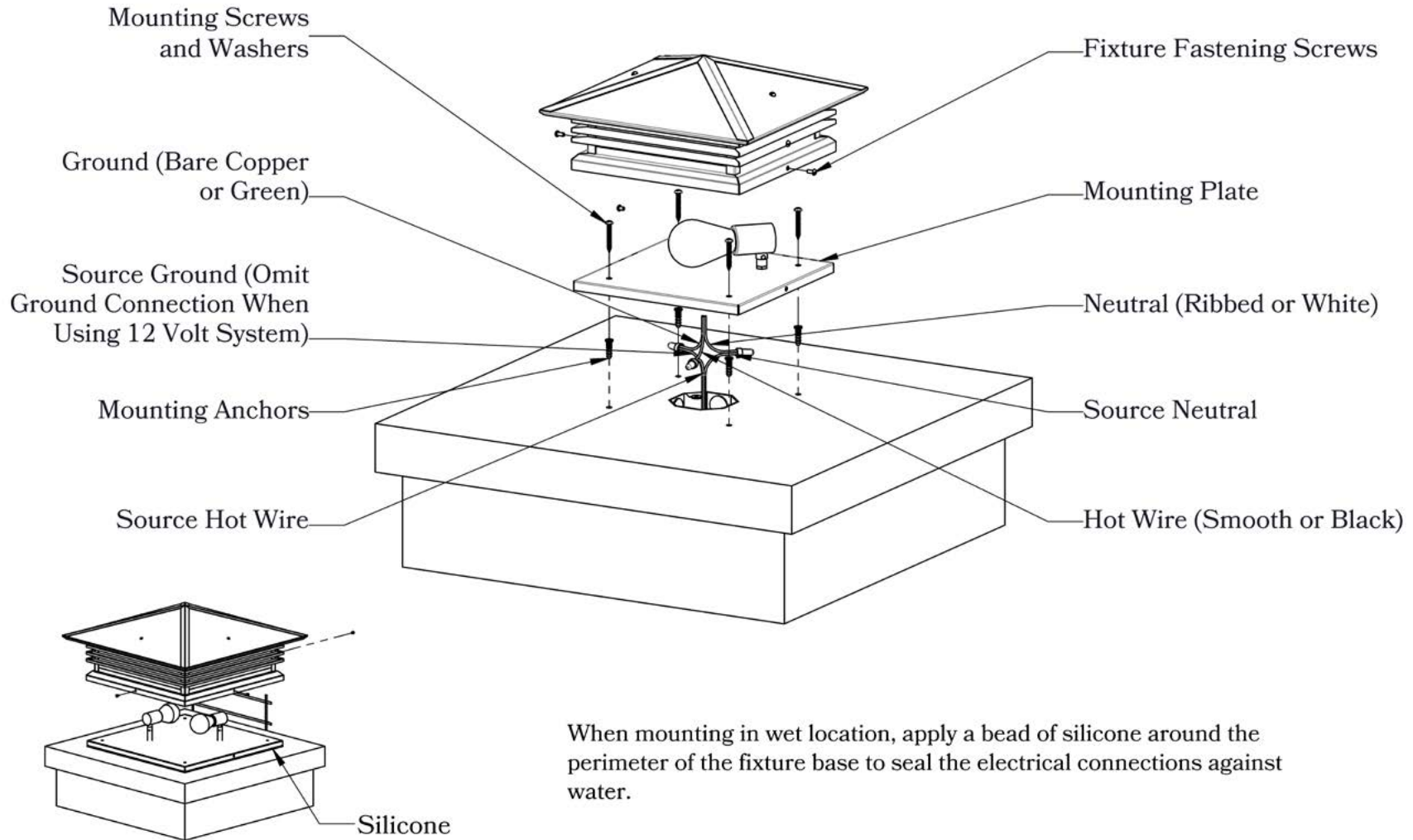
## ELECTRICAL SPECS

UL Rating	Wet
Voltage	12V or 120V
Socket Type	Medium Base - E26
Number of Light Bulbs	4
Max Wattage per Bulb	60W
LED Bulb	Supplied

## ADDITIONAL INFORMATION

Manufacturer	Old California
Mounting Location	Exterior Only
Material	Brass
Multiple Overlay Options	Yes

### MOUNTING INSTRUCTIONS • Column Light Version One



When mounting in wet location, apply a bead of silicone around the perimeter of the fixture base to seal the electrical connections against water.

#### CAUTION—DISCONNECT POWER

Always shut off power when installing or repairing this (or any other) electrical appliance. Failure to do so may result in severe injury or death. This product must be installed in accordance with applicable installation codes by a person familiar with the construction and operation of the product, and the hazards involved.