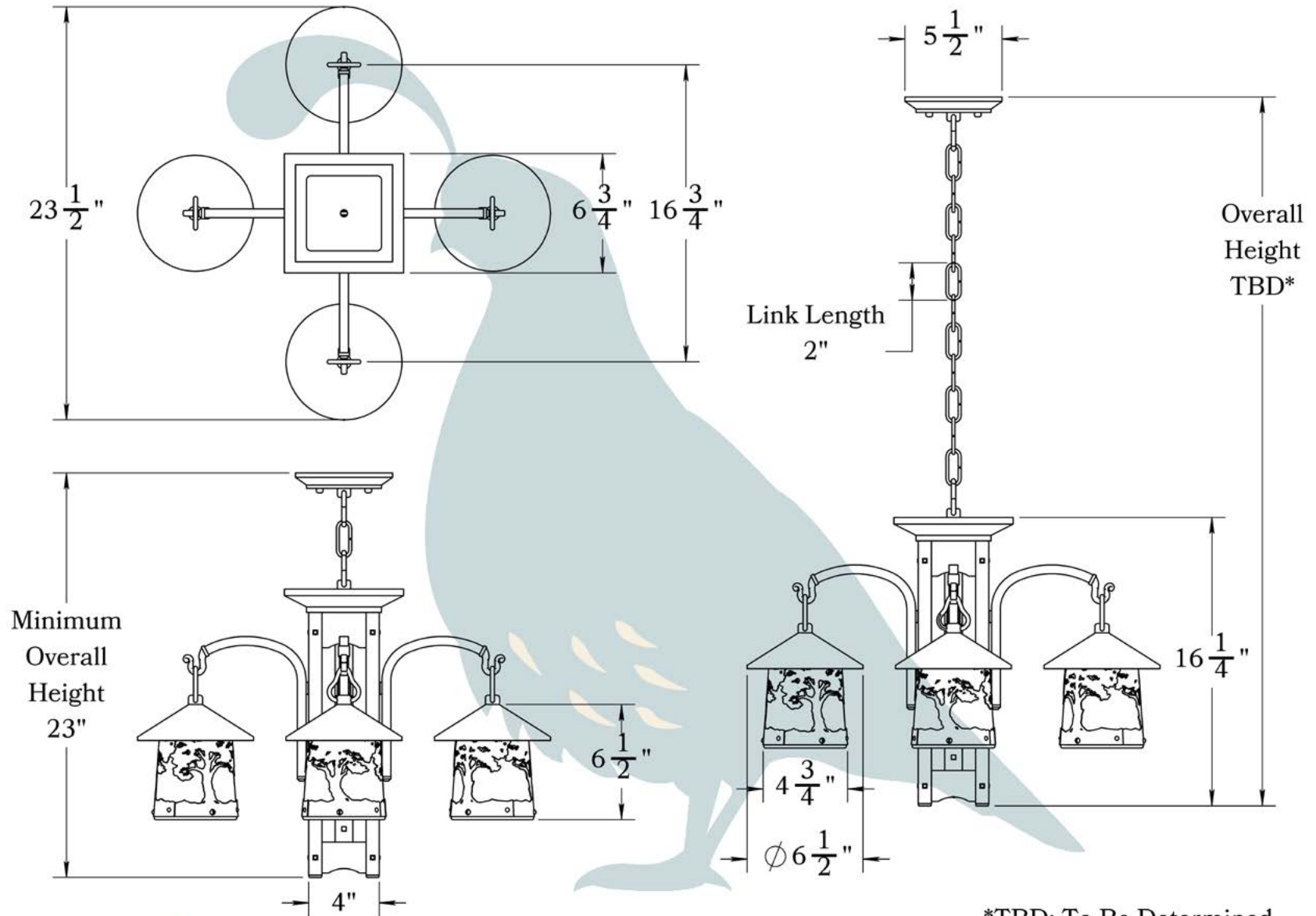




THE HUNTINGTON SERIES  
**Wood Chandelier**  
FOUR LANTERNS

**OLD CALIFORNIA**  
FINE LIGHTING &  
HOME GOODS





\*TBD: To Be Determined

**OLD CALIFORNIA**  
975 N ENTERPRISE ST • ORANGE, CA 92867

PRODUCT No. | 412-24  
TITLE | Huntington  
UL RATING | Dry

LAMP BASE | Medium Base (E26)  
MAX WATTAGE | 1-40W, 4-60W  
VOLTAGE | 120V

**PROPRIETARY AND CONFIDENTIAL**  
The information contained in this drawing is the sole property of Old California. Any reproduction in part or as a whole without written permission from Old California is prohibited.

## DIMENSIONS

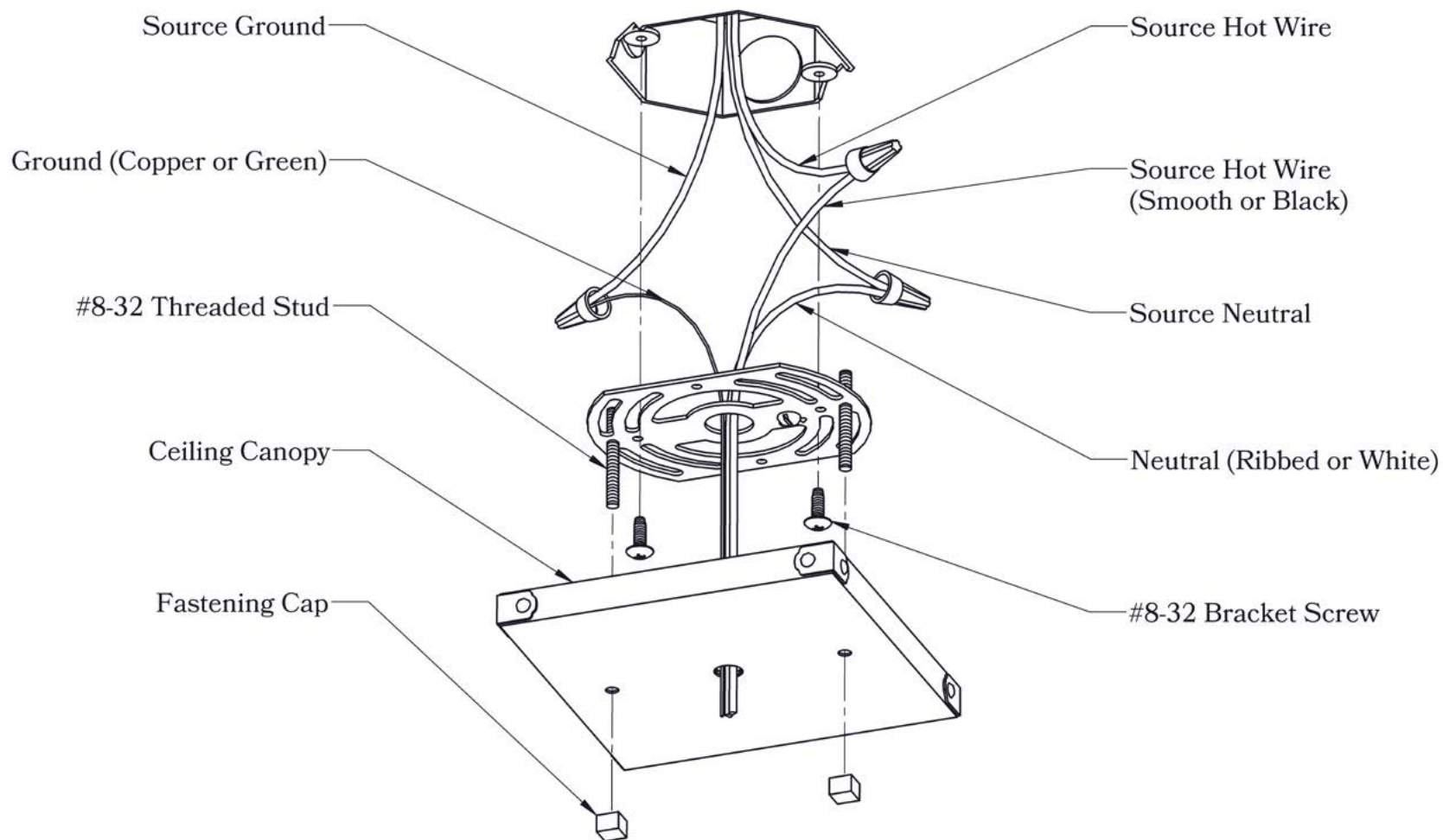
|                         |         |
|-------------------------|---------|
| Width                   | 23 1/2" |
| Wood Center Body Width  | 4"      |
| Wood Center Body Height | 16 1/4" |
| Minimum Height          | 23      |
| Roof Width              | 6 3/4   |
| Body Width              | 4 3/4"  |
| Lantern Height          | 6 1/2"  |
| Height                  | 8"      |
| Ceiling Mounting Plate  | 5 1/2"  |

## ELECTRICAL SPECS

|                       |                   |
|-----------------------|-------------------|
| UL Rating             | Dry               |
| Voltage               | 120V              |
| Socket Type           | Medium Base - E26 |
| Number of Light Bulbs | 5                 |
| Max Wattage per Bulb  | 1-40W, 4-60W      |
| LED Bulb              | Supplied          |
| Dimmable              | Yes               |

## ADDITIONAL INFORMATION

|                          |                               |
|--------------------------|-------------------------------|
| Manufacturer             | Old California                |
| Mounting Location        | Interior                      |
| Material                 | Brass, Quarter-Sawn White Oak |
| Multiple Overlay Options | No                            |
| Bottom Glass Panels      | Not Available                 |

**MOUNTING INSTRUCTIONS • Chain Mount Without Fire Pan****CAUTION—DISCONNECT POWER**

Always shut off power when installing or repairing this (or any other) electrical appliance. Failure to do so may result in severe injury or death. This product must be installed in accordance with applicable installation codes by a person familiar with the construction and operation of the product, and the hazards involved.