

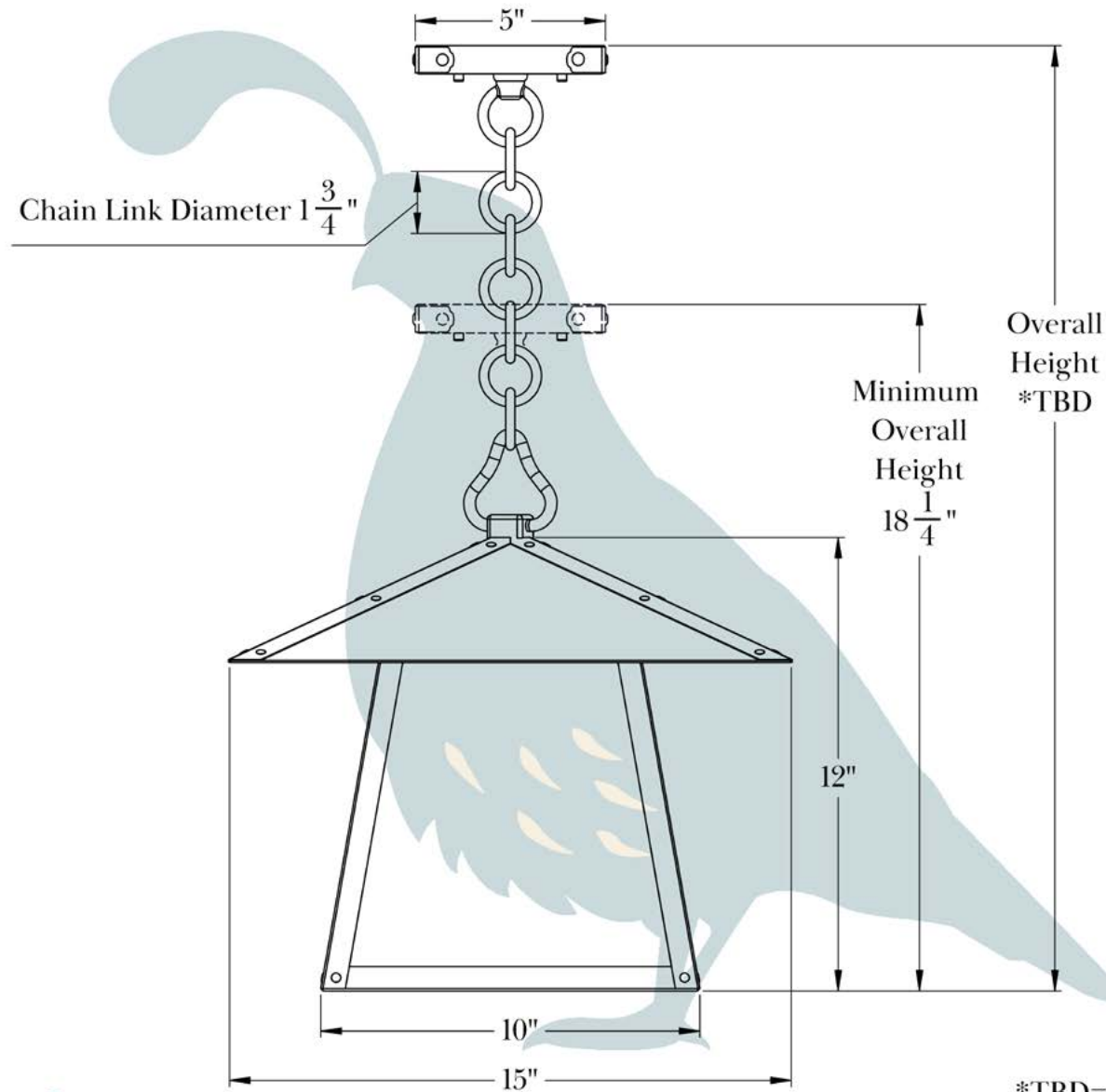
PRODUCT NO. 424-4



THE PALISADES SERIES
Chain Pendant Lantern
LARGE

OLD CALIFORNIA
FINE LIGHTING &
HOME GOODS

Large



*TBD= To be determined



PRODUCT No. 424-4
 TITLE Palisades
 UL RATING Damp

LAMP BASE Medium Base (E26)
 MAX WATTAGE 100W
 VOLTAGE 120V

PROPRIETARY AND CONFIDENTIAL
 The information contained in this drawing is the sole property of Old California. Any reproduction in part or as a whole without written permission from Old California is prohibited.

DIMENSIONS

Roof Width	15"
Body Width	10"
Lantern Height	12"
Minimum Height	18 1/4"
Canopy	5"

OVERLAYS AVAILABLE IN THIS SERIES



Arch



Arrow



Cloud Lift

ELECTRICAL SPECS

UL Rating	Damp
Voltage	120V
Socket Type	Medium Base - E26
Number of Light Bulbs	1
Max Wattage per Bulb	100W
LED Bulb	Supplied
Dimmable	Yes



Double T

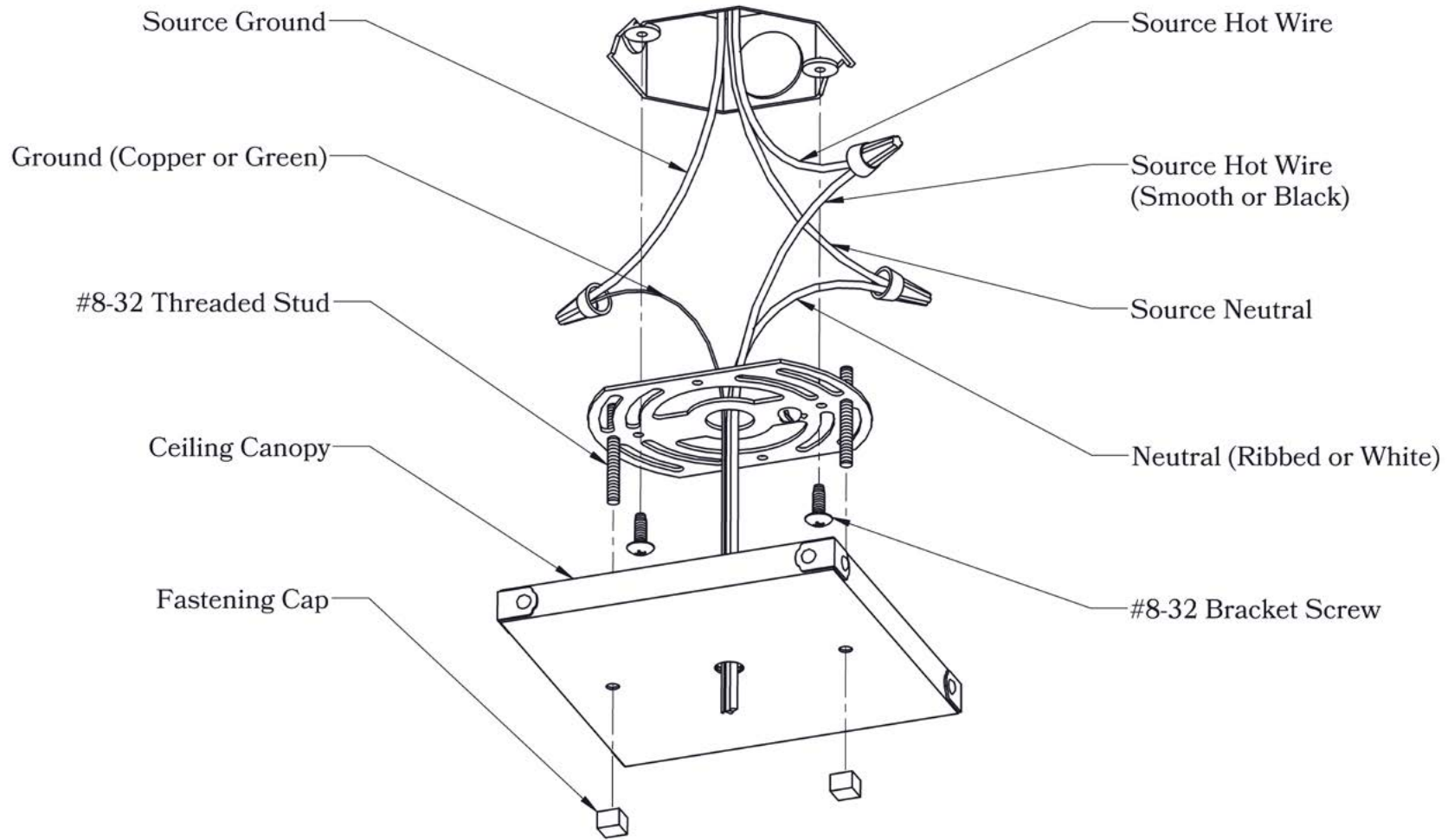


Glass Only

ADDITIONAL INFORMATION

Manufacturer	Old California
Mounting Location	Interior and Exterior
Material	Brass
Multiple Overlay Options	Yes
Bottom Glass Panels	Included

MOUNTING INSTRUCTIONS • Chain Mount Without Fire Pan



CAUTION—DISCONNECT POWER

Always shut off power when installing or repairing this (or any other) electrical appliance. Failure to do so may result in severe injury or death. This product must be installed in accordance with applicable installation codes by a person familiar with the construction and operation of the product, and the hazards involved.