

PRODUCT NO. 425-4

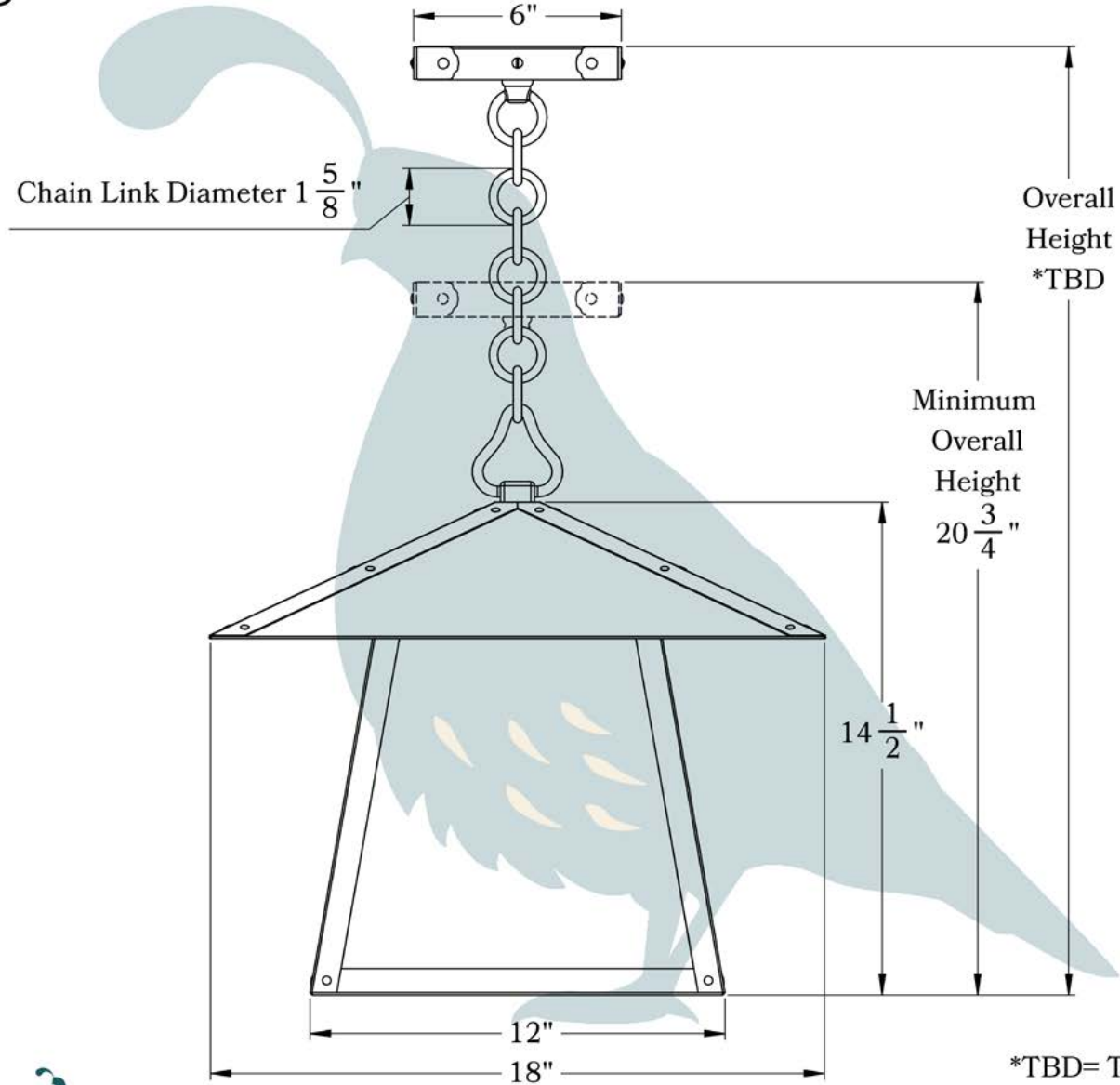


THE PALISADES SERIES
Chain Pendant Lantern
EXTRA LARGE

OLD CALIFORNIA
FINE LIGHTING &
HOME GOODS



X Large



*TBD= To be determined

PROPRIETARY AND CONFIDENTIAL

The information contained in this drawing is the sole property of Old California. Any reproduction in part or as a whole without written permission from Old California is prohibited.

DIMENSIONS

Roof Width	18"
Body Width	12"
Lantern Height	14 1/2"
Minimum Height	20 3/4"
Canopy	6"

ELECTRICAL SPECS

UL Rating	Damp
Voltage	120V
Socket Type	Medium Base - E26
Number of Light Bulbs	1
Max Wattage per Bulb	100W
LED Bulb	Supplied
Dimmable	Yes

ADDITIONAL INFORMATION

Manufacturer	Old California
Mounting Location	Interior and Exterior
Material	Brass
Multiple Overlay Options	Yes
Bottom Glass Panels	Included

OVERLAYS AVAILABLE IN THIS SERIES



Arch



Arrow



Cloud Lift

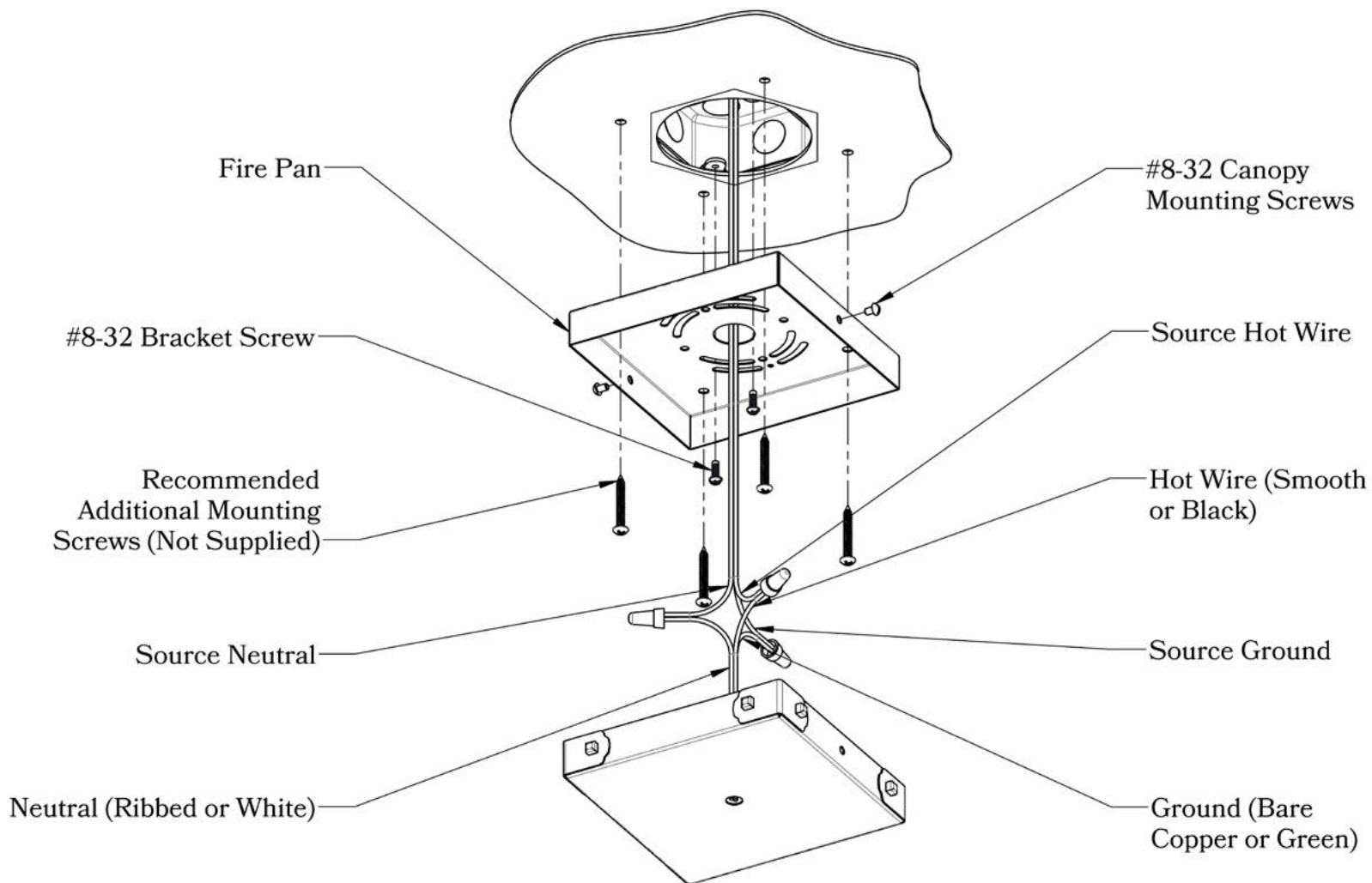


Double T



Glass Only

MOUNTING INSTRUCTIONS • Chain Mount With Fire Pan

**CAUTION—DISCONNECT POWER**

Always shut off power when installing or repairing this (or any other) electrical appliance. Failure to do so may result in severe injury or death. This product must be installed in accordance with applicable installation codes by a person familiar with the construction and operation of the product, and the hazards involved.