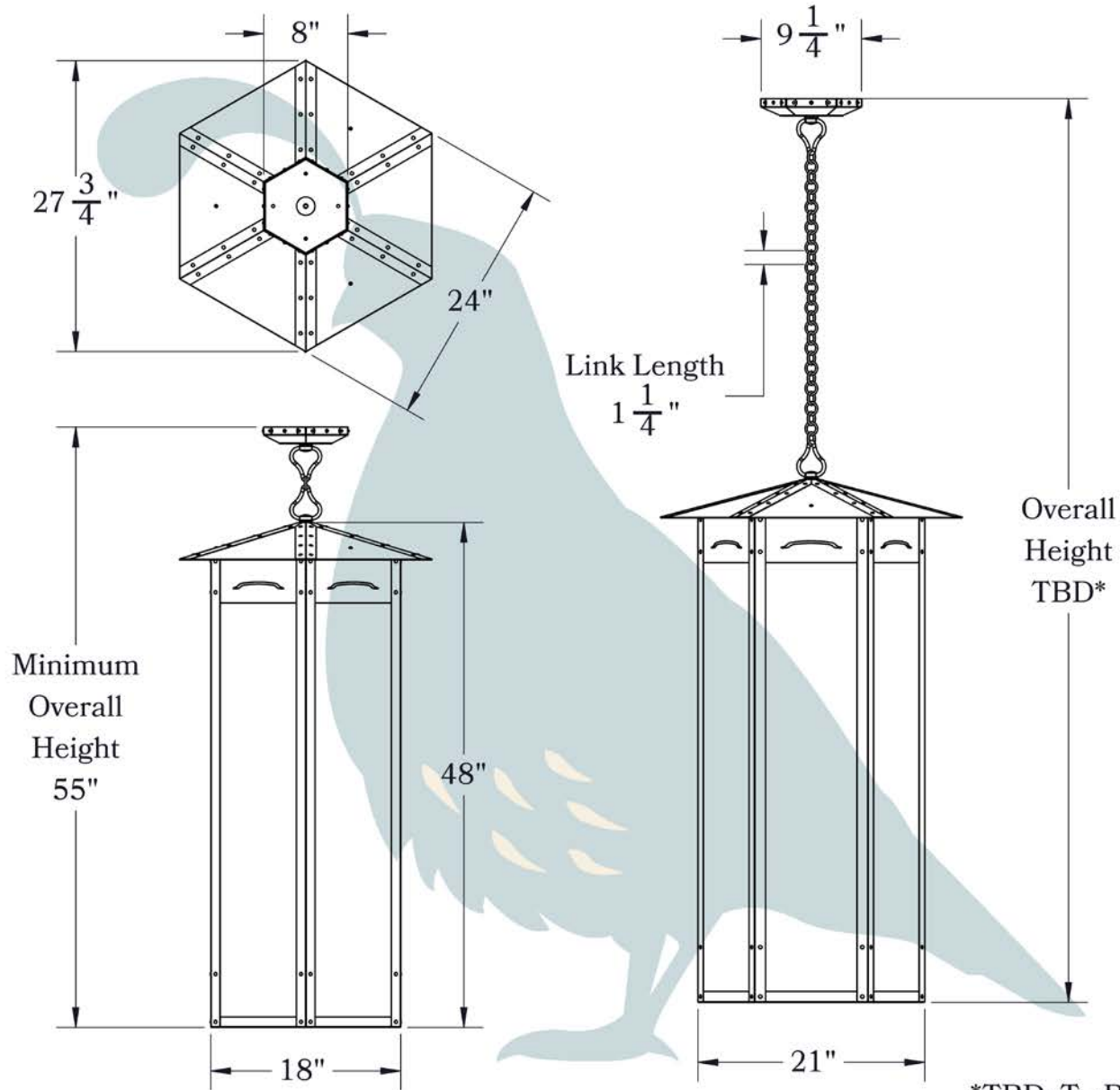




THE COBBLESTONE SERIES  
**Hexagon Chandelier**  
LARGE



# Large



\*TBD: To Be Determined

**OLD CALIFORNIA**  
 975 N ENTERPRISE ST • ORANGE, CA 92867

PRODUCT No. 5284-4-MP  
 TITLE Cobblestone  
 UL RATING Damp

LAMP BASE Medium Base (E26)  
 MAX WATTAGE 4-100W  
 VOLTAGE 120

**PROPRIETARY AND CONFIDENTIAL**  
 The information contained in this drawing is the sole property of Old California. Any reproduction in part or as a whole without written permission from Old California is prohibited.

## DIMENSIONS

Roof Width	27 3/4" x 24"
Body Width	21" x 18"
Lantern Height	48"
Minimum Height	55"
Canopy	9 1/4" x 8"

## OVERLAYS AVAILABLE IN THIS SERIES



Dragonfly



Japanese Maple



Monterey Cypress



Monterey Pine



Wisteria



Glass Only

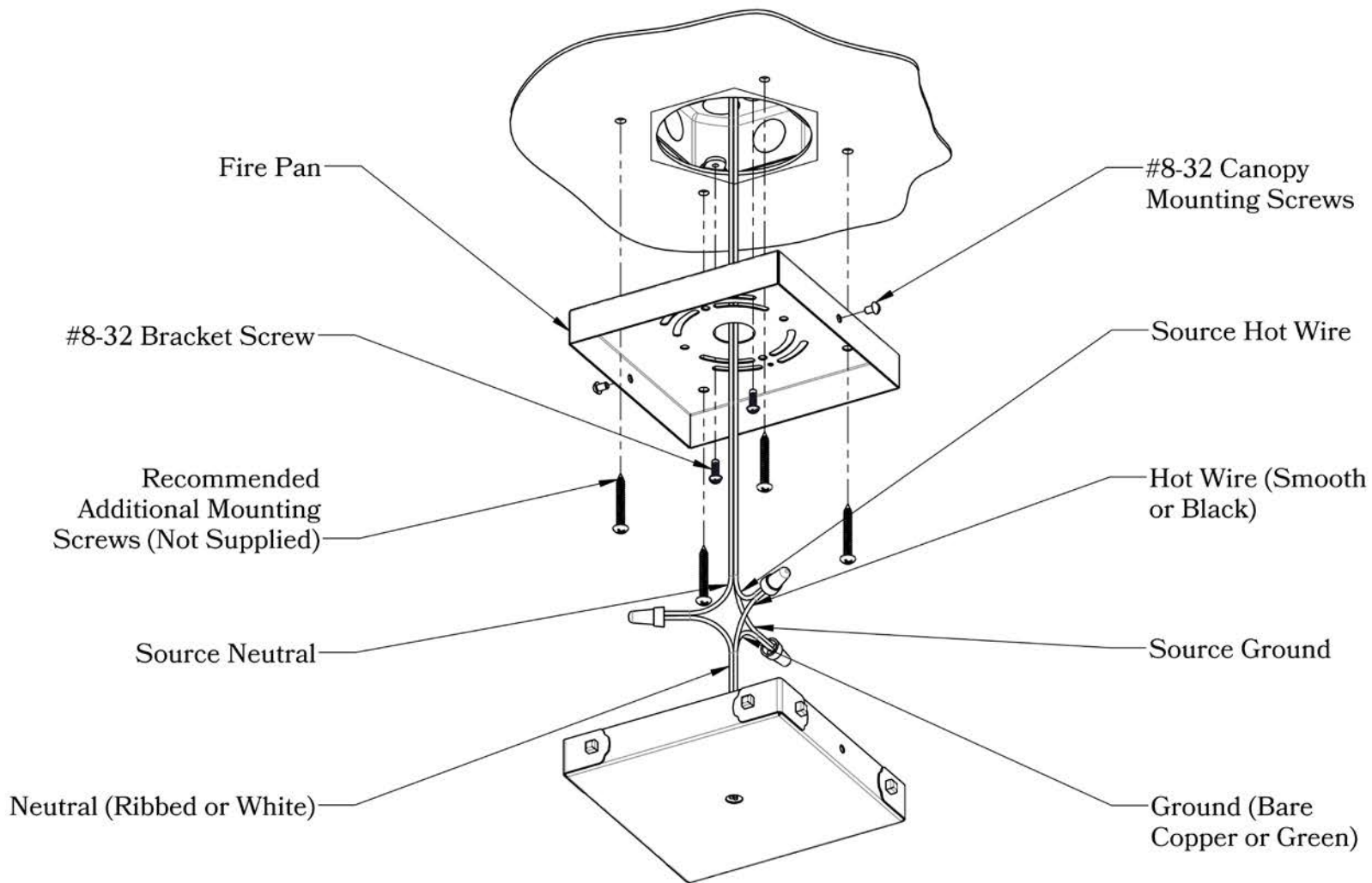
## ELECTRICAL SPECS

UL Rating	Damp
Voltage	120V
Socket Type	Medium Base - E26
Number of Light Bulbs	4
Max Wattage per Bulb	100W
LED Bulb	Supplied
Dimmable	Yes

## ADDITIONAL INFORMATION

Manufacturer	Old California
Mounting Location	Interior and Exterior
Material	Brass
Multiple Overlay Options	Yes
Bottom Glass Panels	Included

## MOUNTING INSTRUCTIONS • Chain Mount With Fire Pan

**CAUTION—DISCONNECT POWER**

Always shut off power when installing or repairing this (or any other) electrical appliance. Failure to do so may result in severe injury or death. This product must be installed in accordance with applicable installation codes by a person familiar with the construction and operation of the product, and the hazards involved.