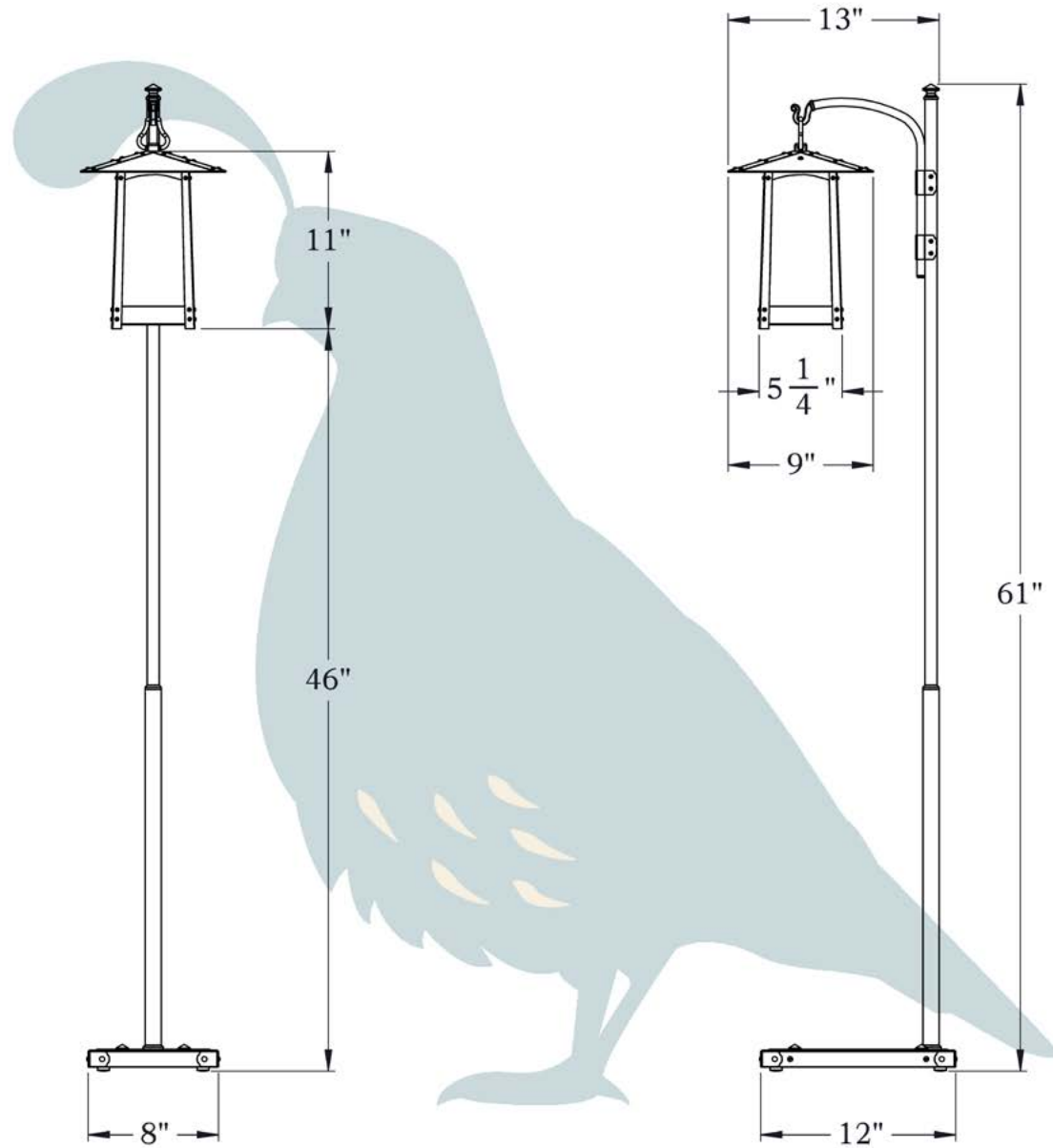


PRODUCT NO. 633-701



THE COBBLESTONE SERIES  
**Floor Lamp**

**OLD CALIFORNIA**  
FINE LIGHTING &  
HOME GOODS



975 N ENTERPRISE ST • ORANGE, CA 92867

PRODUCT No. 633-701  
TITLE Cobblestone  
UL RATING Not Rated

LAMP BASE Medium Base (E26)  
WATTAGE 100W  
VOLTAGE 120V

**PROPRIETARY AND CONFIDENTIAL**  
The information contained in this drawing is the sole property of Old California. Any reproduction in part or as a whole without written permission from Old California is prohibited.

## DIMENSIONS

Height	61"
Width	13 1/2"
Lantern Roof Width	9"
Lantern Body Width	5 1/4"
Lantern Height	11"
Base	12" x 8"

## OVERLAYS AVAILABLE IN THIS SERIES



Dragonfly



Japanese Maple



Monterey Cypress



Monterey Pine



Wisteria



Glass Only

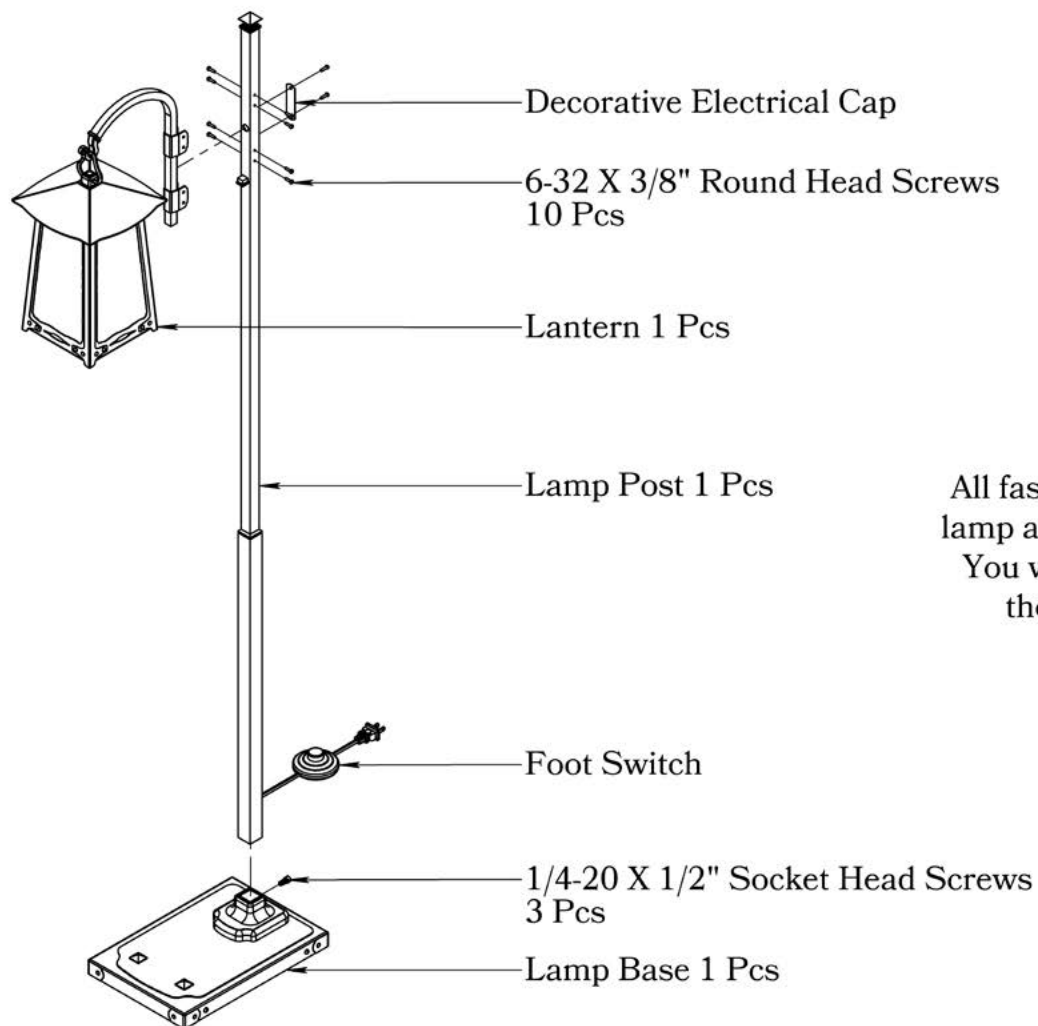
## ELECTRICAL SPECS

UL Rating	Not Rated
Socket Type	Medium Base - E26
Number of Light Bulbs	1
Max Wattage per Bulb	60W
LED Bulb	Supplied
Cord Length	100"
On/ Off Switch	Yes

## ADDITIONAL INFORMATION

Manufacturer	Old California
Mounting Location	Interior Only
Material	Brass
Multiple Overlay Options	Yes
Bottom Glass	Not Included

## MOUNTING INSTRUCTIONS • Universal Floor Lamp



## ASSEMBLY NOTE

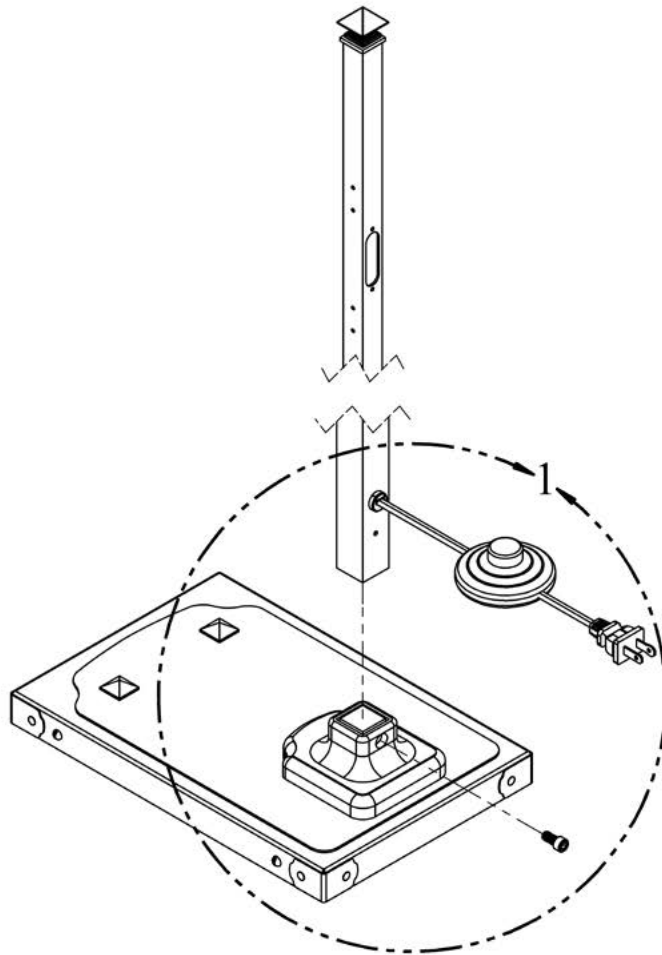
All fasteners you need to assemble this lamp are shipped in place on the fixture. You will need to remove and reinstall them in the assembly process.

## CAUTION

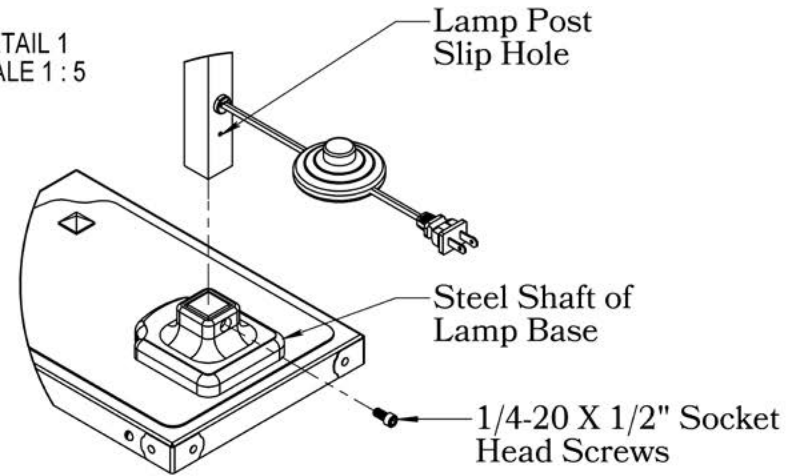
Always shut off power when installing or repairing this (or any other) electrical appliance. Failure to do so may result in severe injury or death. This product must be installed in accordance with applicable installation codes by a person familiar with the construction and operation of the product, and the hazards involved.

### MOUNTING INSTRUCTIONS • Universal Floor Lamp

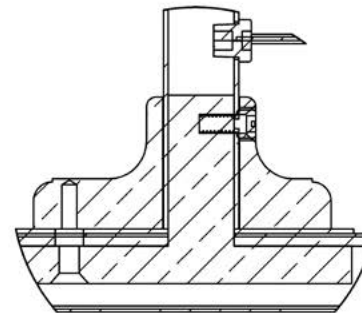
#1 Slide lamp post over the steel shaft in the lamp base. Make sure the slip hole in the bottom of the lamp post is aligned correctly to the threaded hole in the steel shaft of the lamp base.

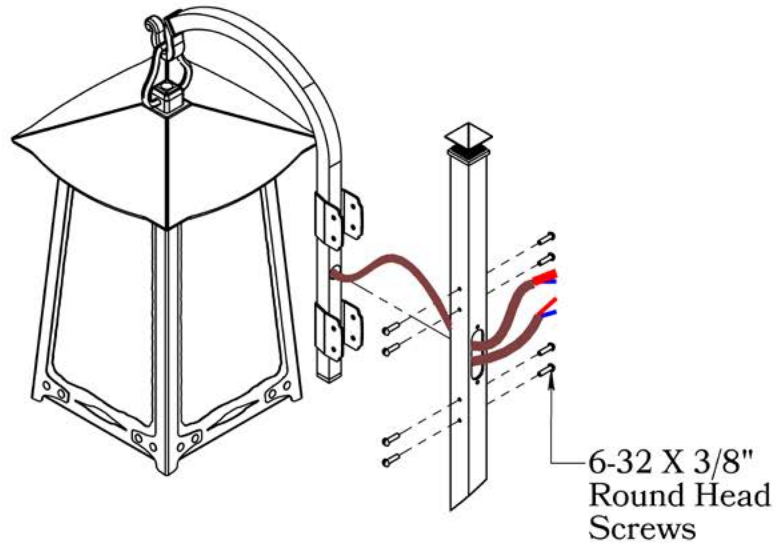


DETAIL 1  
SCALE 1 : 5

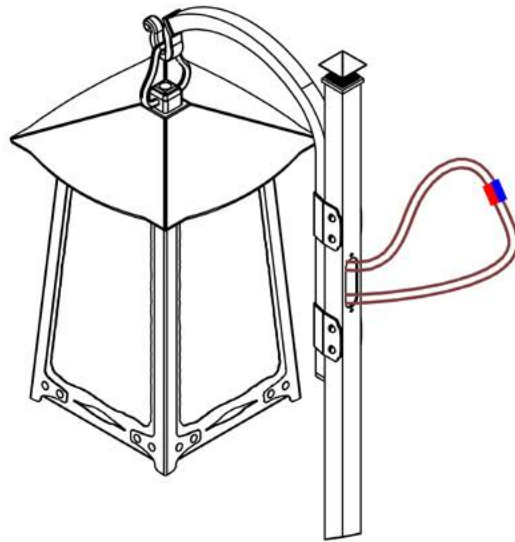


#2 Slide the bottom of the post shaft into the lamp base and tighten them together with the 1/4 - 20 x 3/4" recessed screw.



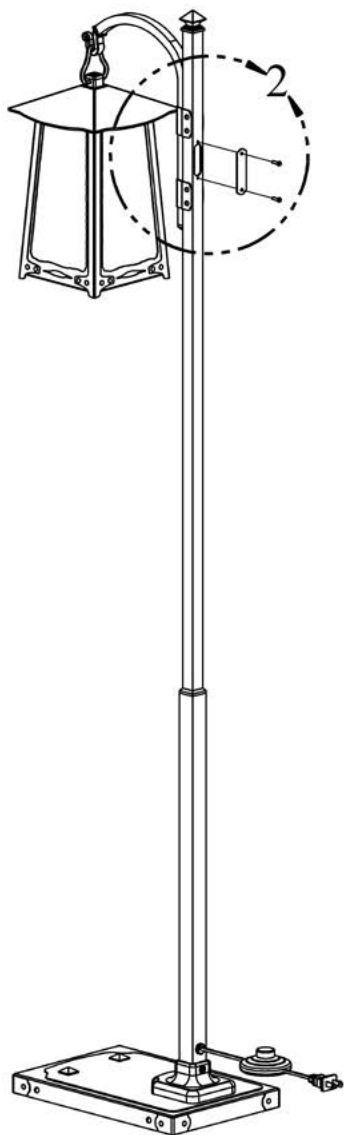
**MOUNTING INSTRUCTIONS • Universal Floor Lamp**

#3 Slip lamp wire from the back of the lantern arm through the top of the lamp post. Secure the arm to the post with eight of the 6-32 x 3/8" round head screws.

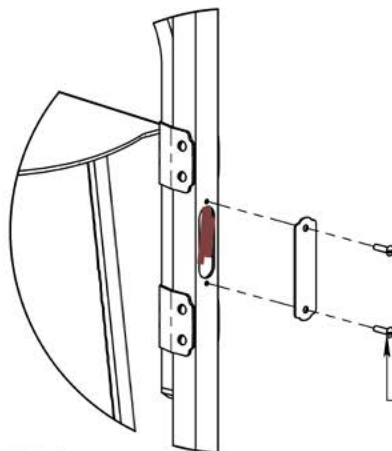


#4 Make the proper electrical connections by joining the two blue connectors together and by joining the two red connectors together. Push the excess wire up into the top portion of the lamp post.

**MOUNTING INSTRUCTIONS • Universal Floor Lamp**



#5 Cap off the electrical connections at the back of the lamp post by securing the decorative electrical cap with two 6-32 x 3/8" round head screws.



6-32 X 3/8"  
Round Head  
Screws

DETAIL 2  
SCALE 1 : 4

