

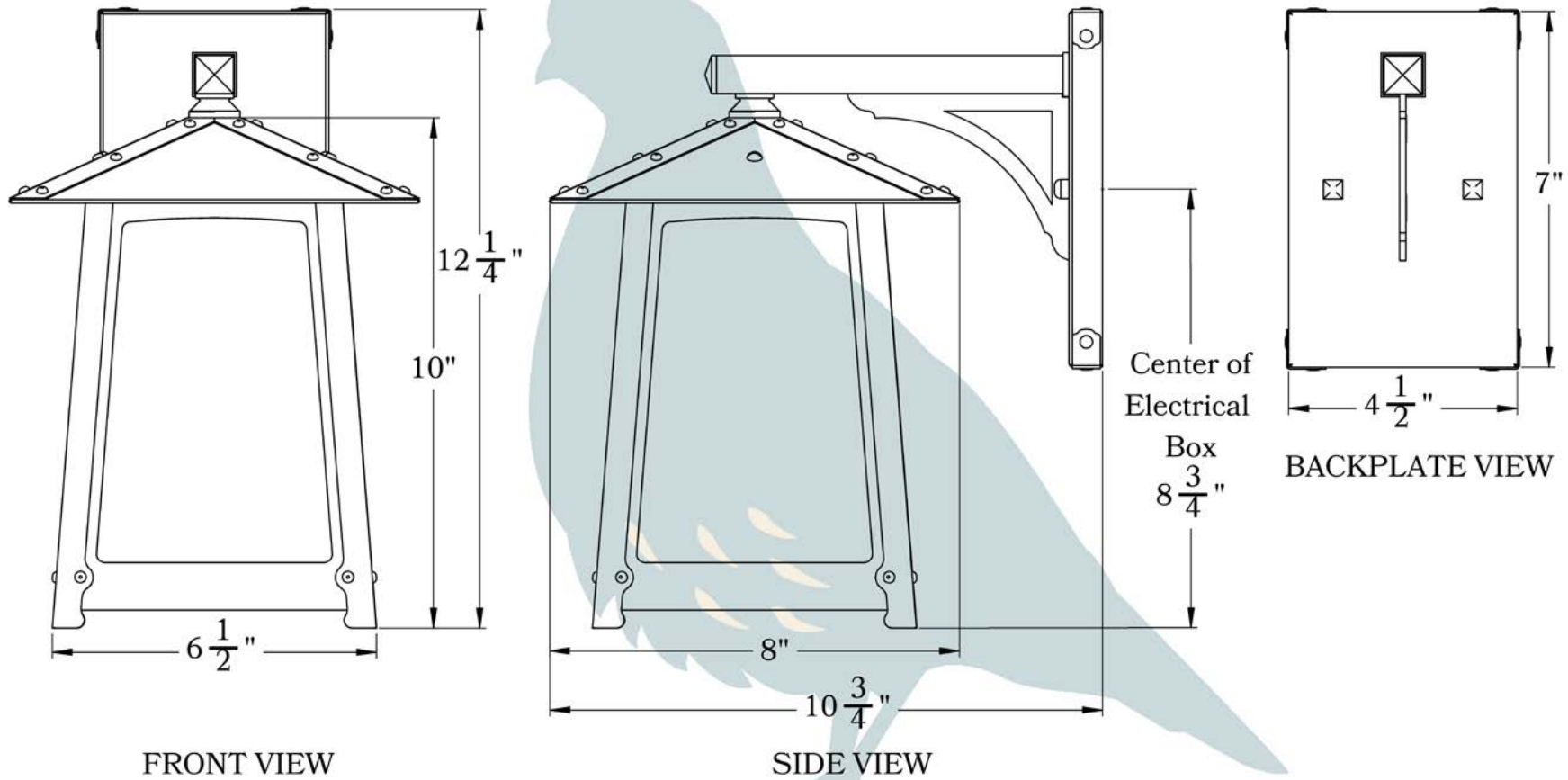


THE POPLAR GLEN SERIES  
**Straight Arm Sconce**  
MEDIUM

**OLD CALIFORNIA**  
FINE LIGHTING &  
HOME GOODS



# Medium



|             |             |             |                   |
|-------------|-------------|-------------|-------------------|
| PRODUCT No. | 643-8       | LAMP BASE   | Medium Base (E26) |
| TITLE       | Poplar Glen | MAX WATTAGE | 100W              |
| UL RATING   | Wet         | VOLTAGE     | 120V              |

**PROPRIETARY AND CONFIDENTIAL**  
 The information contained in this drawing is the sole property of Old California. Any reproduction in part or as a whole without written permission from Old California is prohibited.

## DIMENSIONS

|                |             |
|----------------|-------------|
| Roof Width     | 8"          |
| Body Width     | 6 1/2"      |
| Lantern Height | 10"         |
| Height         | 12 1/4"     |
| Projection     | 10 3/4"     |
| Mounting Plate | 4 1/2" x 7" |

## ELECTRICAL SPECS

|                       |                   |
|-----------------------|-------------------|
| UL Rating             | Wet               |
| Voltage               | 120V              |
| Socket Type           | Medium Base - E26 |
| Number of Light Bulbs | 1                 |
| Max Wattage per Bulb  | 100W              |
| LED Bulb              | Supplied          |
| Dimmable              | Yes               |

## ADDITIONAL INFORMATION

|                          |                       |
|--------------------------|-----------------------|
| Manufacturer             | Old California        |
| Mounting Location        | Interior and Exterior |
| Material                 | Brass                 |
| Multiple Overlay Options | Yes                   |
| Bottom Glass Panels      | Included              |

## OVERLAYS AVAILABLE IN THIS SERIES



Arrow



Gamble



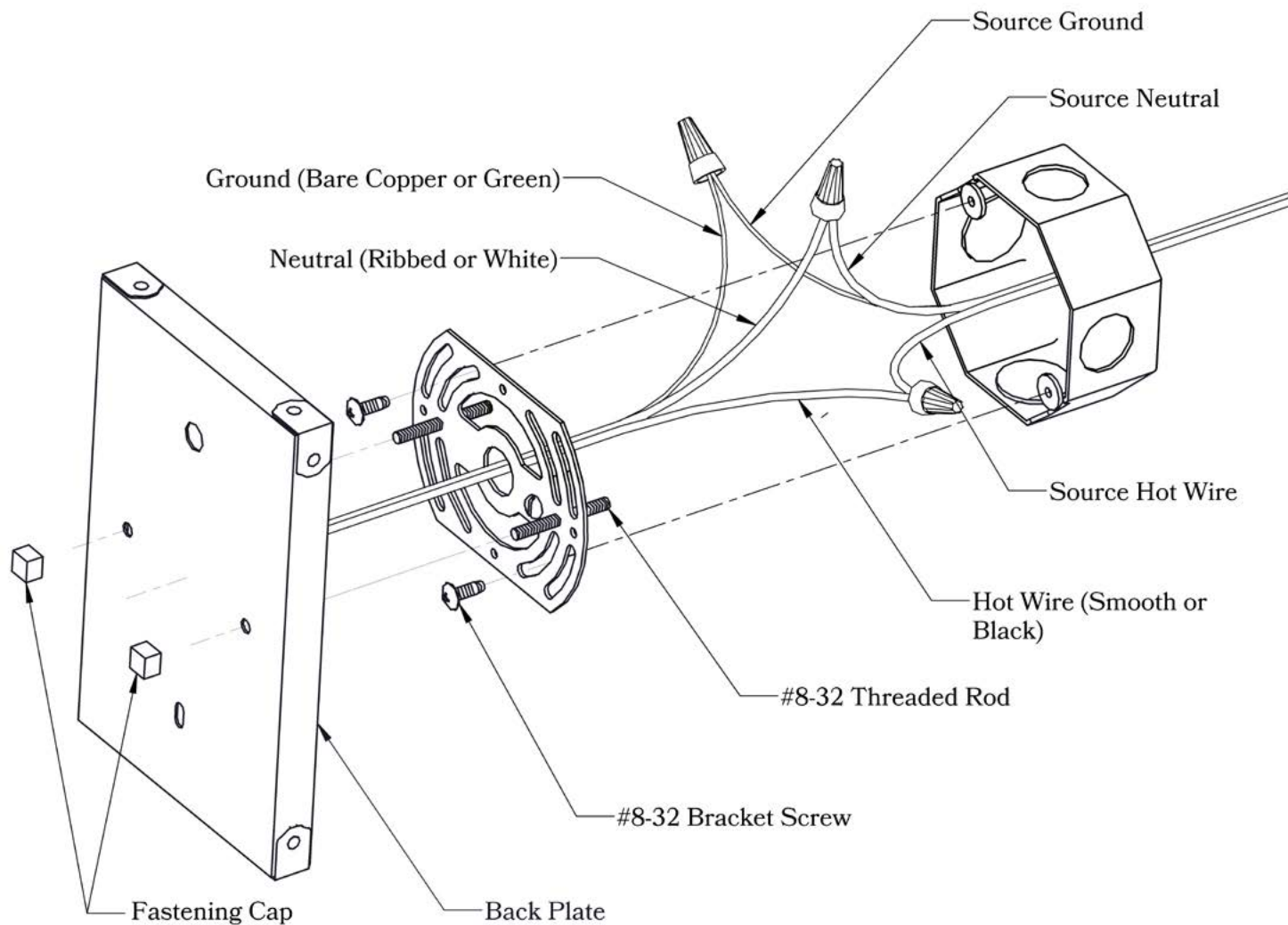
Raymond



Double T



Glass Only

**MOUNTING INSTRUCTIONS • Wall Mount With Caps****CAUTION—DISCONNECT POWER**

Always shut off power when installing or repairing this (or any other) electrical appliance. Failure to do so may result in severe injury or death. This product must be installed in accordance with applicable installation codes by a person familiar with the construction and operation of the product, and the hazards involved.