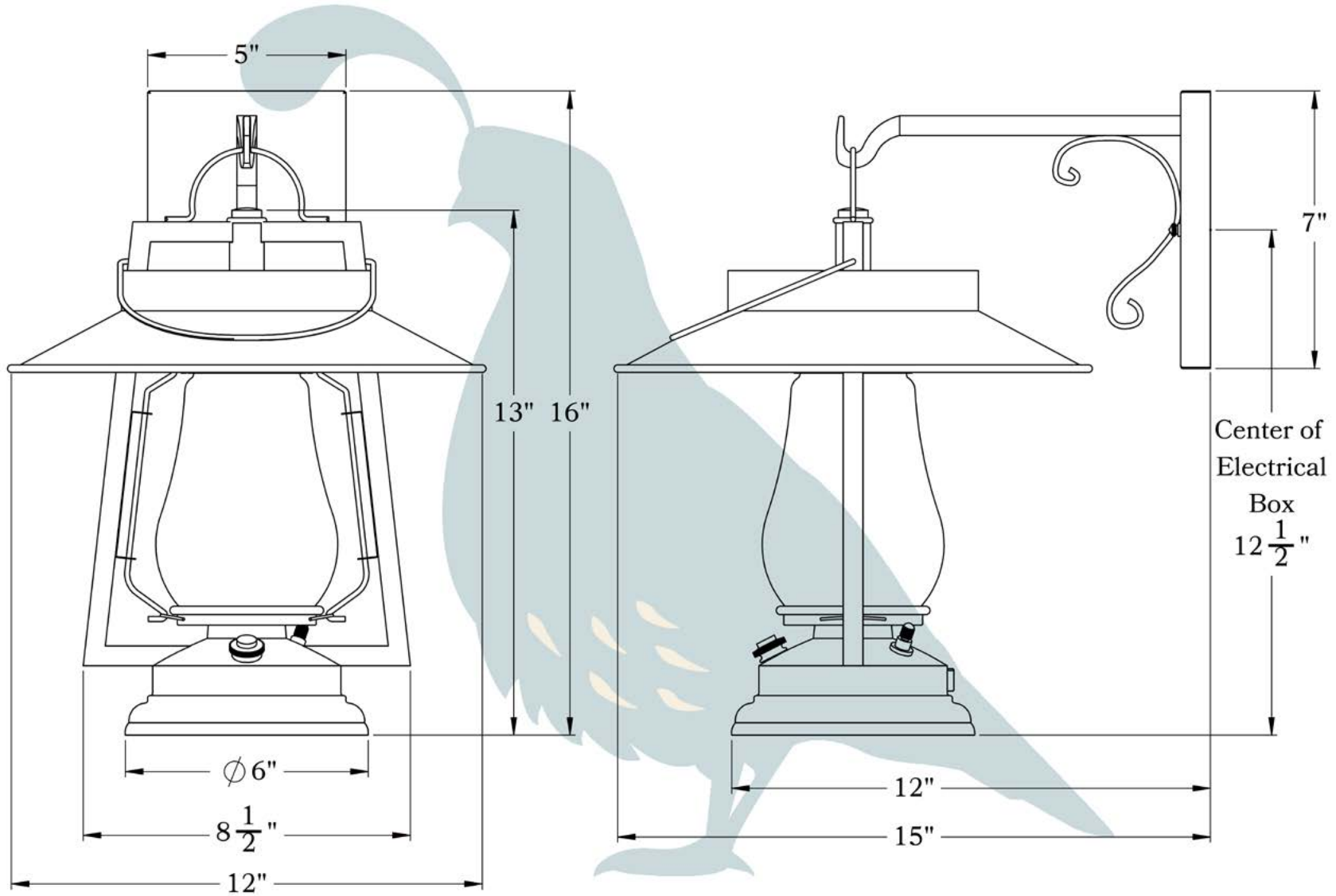




THE FORTY-NINER SERIES
**Hooked Arm Sconce
with Shade**

**OLD
CALIFORNIA**
FINE LIGHTING &
HOME GOODS





OLD CALIFORNIA
 975 N ENTERPRISE ST • ORANGE, CA 92867

PRODUCT No. | 752-S-S-1
 TITLE | Forty-Niner
 UL RATING | Damp

LAMP BASE | Medium Base (E26)
 MAX WATTAGE | 60W
 VOLTAGE | 120V

PROPRIETARY AND CONFIDENTIAL
 The information contained in this drawing is the sole property of Old California. Any reproduction in part or as a whole without written permission from Old California is prohibited.

DIMENSIONS

Lantern Width	8 1/2"
Lantern Height	13"
Shade Width	12"
Height	16"
Projection	15"
Mounting Plate	5" x 7"

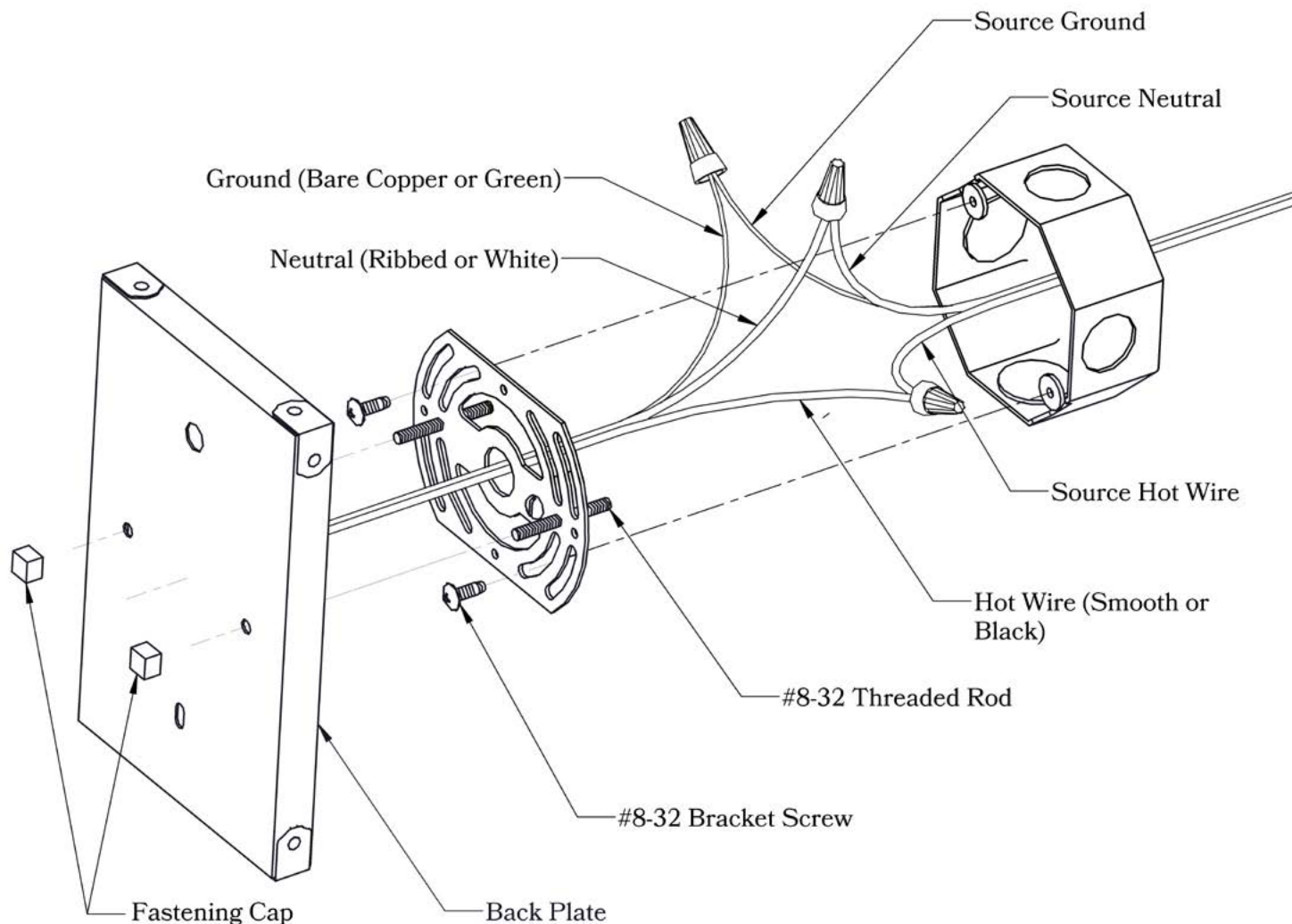
ELECTRICAL SPECS

UL Rating	Damp
Voltage	120V
Socket Type	Medium Base - E26
Number of Light Bulbs	1
Max Wattage per Bulb	60W
LED Bulb	Supplied
Dimmable	Yes

ADDITIONAL INFORMATION

Manufacturer	Old California
Mounting Location	Interior and Exterior
Material	Steel

MOUNTING INSTRUCTIONS • Wall Mount With Caps



CAUTION—DISCONNECT POWER

Always shut off power when installing or repairing this (or any other) electrical appliance. Failure to do so may result in severe injury or death. This product must be installed in accordance with applicable installation codes by a person familiar with the construction and operation of the product, and the hazards involved.