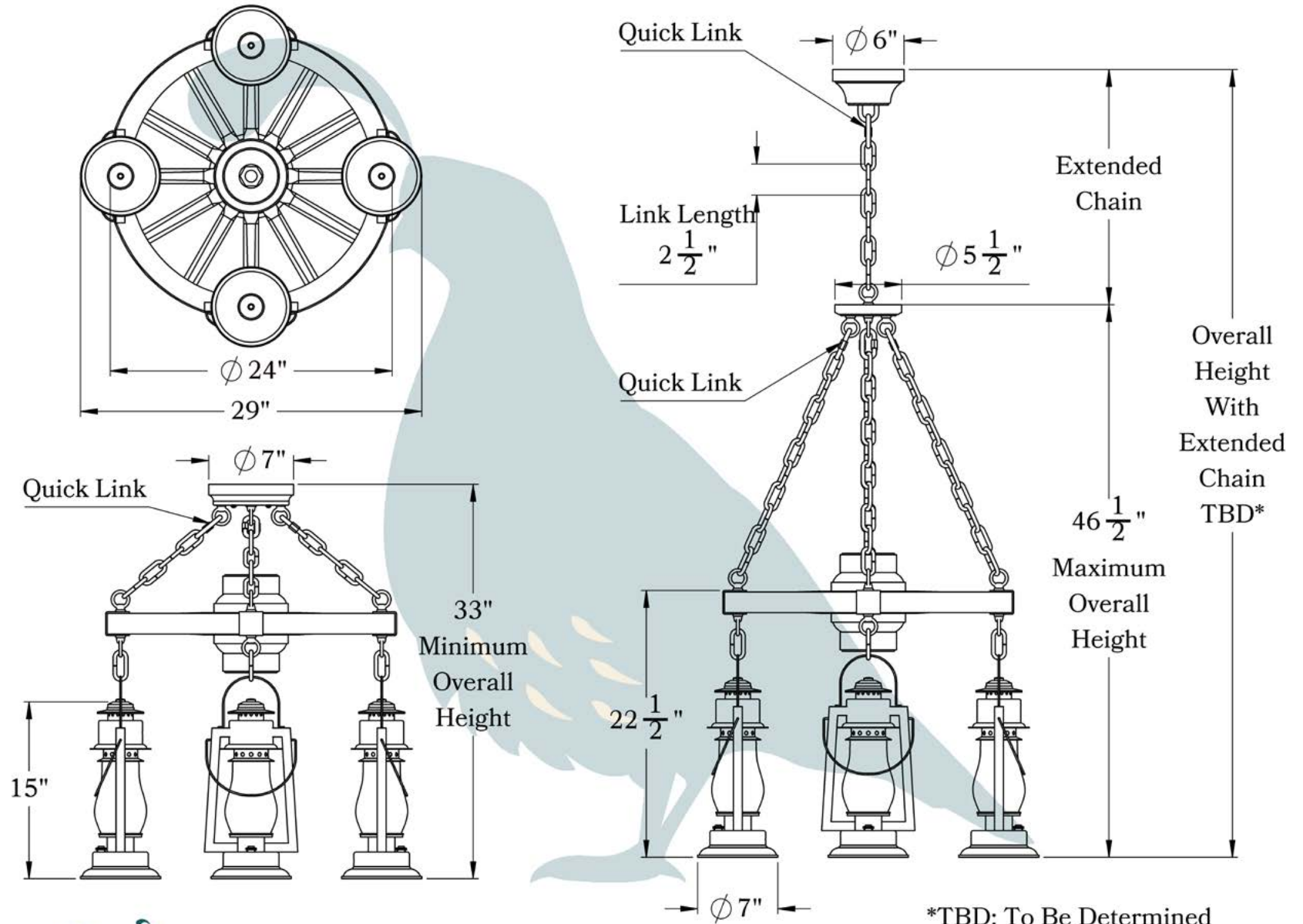




THE PIONEER SERIES  
**Wagon Wheel Chandelier**  
FOUR PENDANT LANTERNS

**OLD CALIFORNIA**  
FINE LIGHTING & HOME GOODS



\*TBD: To Be Determined

**OLD CALIFORNIA**  
 975 N ENTERPRISE ST • ORANGE, CA 92867

PRODUCT No. | 772-S-44  
 TITLE | Pioneer  
 UL RATING | Damp

LAMP BASE | Medium Base (E26)  
 MAX WATTAGE | 4-60W  
 VOLTAGE | 120V

**PROPRIETARY AND CONFIDENTIAL**  
 The information contained in this drawing is the sole property of Old California. Any reproduction in part or as a whole without written permission from Old California is prohibited.

## DIMENSIONS

Width	29"
Wheel Diameter	24"
Minimum Height	33"
Lantern Height	15"
Number of Lanterns	4
Canopy	See Drawing

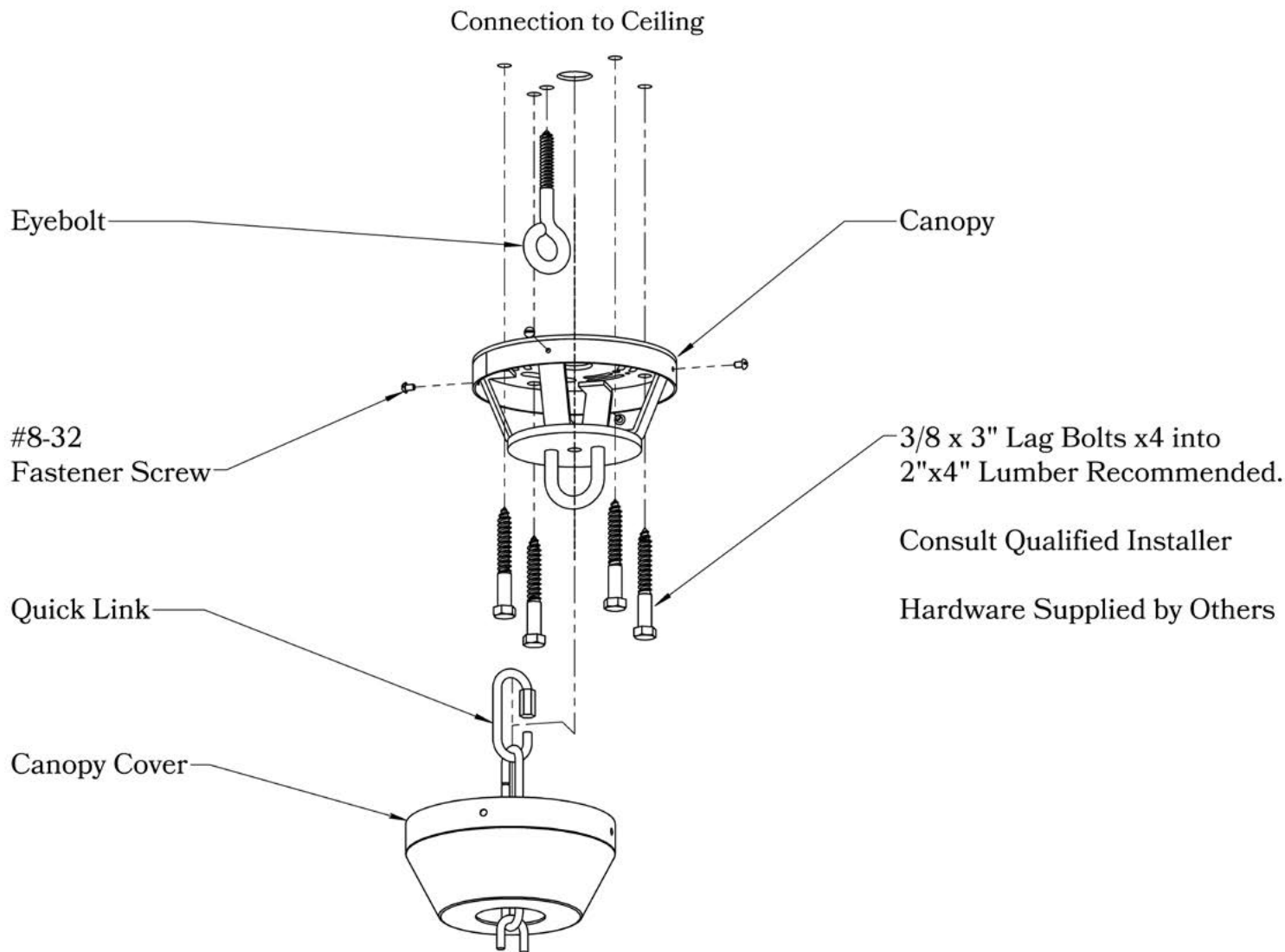
## ELECTRICAL SPECS

UL Rating	Damp
Voltage	120V
Socket Type	Medium Base - E26
Number of Light Bulbs	4
Max Wattage per Bulb	60W
LED Bulb	Supplied
Dimmable	Yes

## ADDITIONAL INFORMATION

Manufacturer	Old California
Mounting Location	Interior and Exterior
Material	Steel and Wood

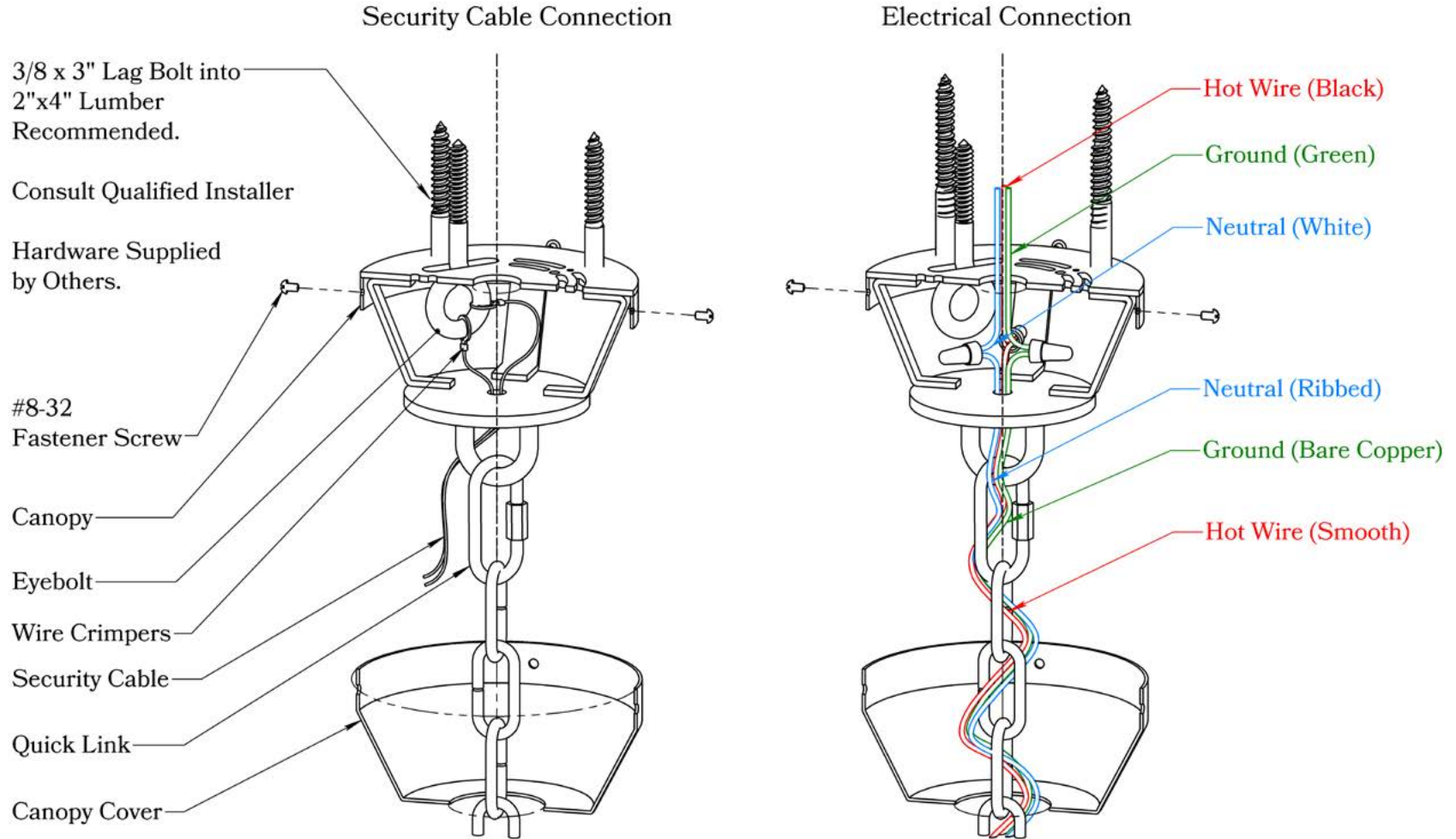
**MOUNTING INSTRUCTIONS • Wagon Wheel Chandeliers w/ Extended Chain**



**CAUTION—DISCONNECT POWER**

Always shut off power when installing or repairing this (or any other) electrical appliance. Failure to do so may result in severe injury or death. This product must be installed in accordance with applicable installation codes by a person familiar with the construction and operation of the product, and the hazards involved.

**MOUNTING INSTRUCTIONS • Wagon Wheel Chandeliers w/ Extended Chain**



**CAUTION—DISCONNECT POWER**

Always shut off power when installing or repairing this (or any other) electrical appliance. Failure to do so may result in severe injury or death. This product must be installed in accordance with applicable installation codes by a person familiar with the construction and operation of the product, and the hazards involved.