

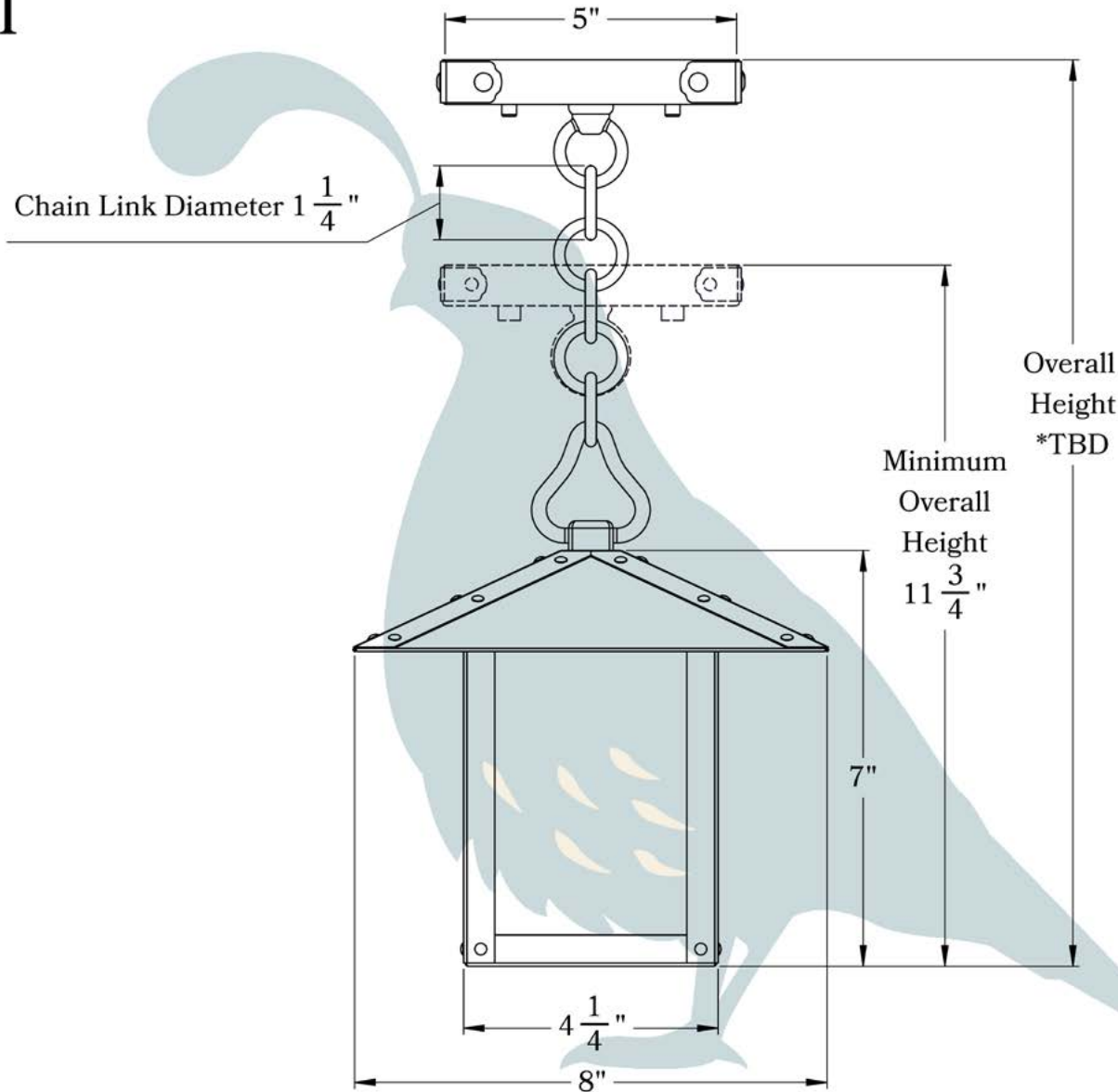
PRODUCT NO. 942-4



THE CRESCENT MEADOW SERIES  
**Chain Pendant Lantern**  
SMALL

**OLD CALIFORNIA**  
FINE LIGHTING &  
HOME GOODS

# Small



\*TBD= To be determined

PROPRIETARY AND CONFIDENTIAL

The information contained in this drawing is the sole property of Old California. Any reproduction in part or as a whole without written permission from Old California is prohibited.

PRODUCT No.	942-4	LAMP BASE	Medium Base (E26)
TITLE	Crescent Meadow	MAX WATTAGE	60W
UL RATING	Damp	VOLTAGE	120V

## DIMENSIONS

Roof Width	8"
Body Width	4 1/4"
Lantern Height	7"
Minimum Height	11 3/4"
Canopy	5"

## ELECTRICAL SPECS

UL Rating	Damp
Voltage	120V
Socket Type	Medium Base - E26
Number of Light Bulbs	1
Max Wattage per Bulb	60W
LED Bulb	Supplied
Dimmable	Yes

## ADDITIONAL INFORMATION

Manufacturer	Old California
Mounting Location	Interior and Exterior
Material	Brass
Multiple Overlay Options	Yes
Bottom Glass Panels	Included

## OVERLAYS AVAILABLE IN THIS SERIES



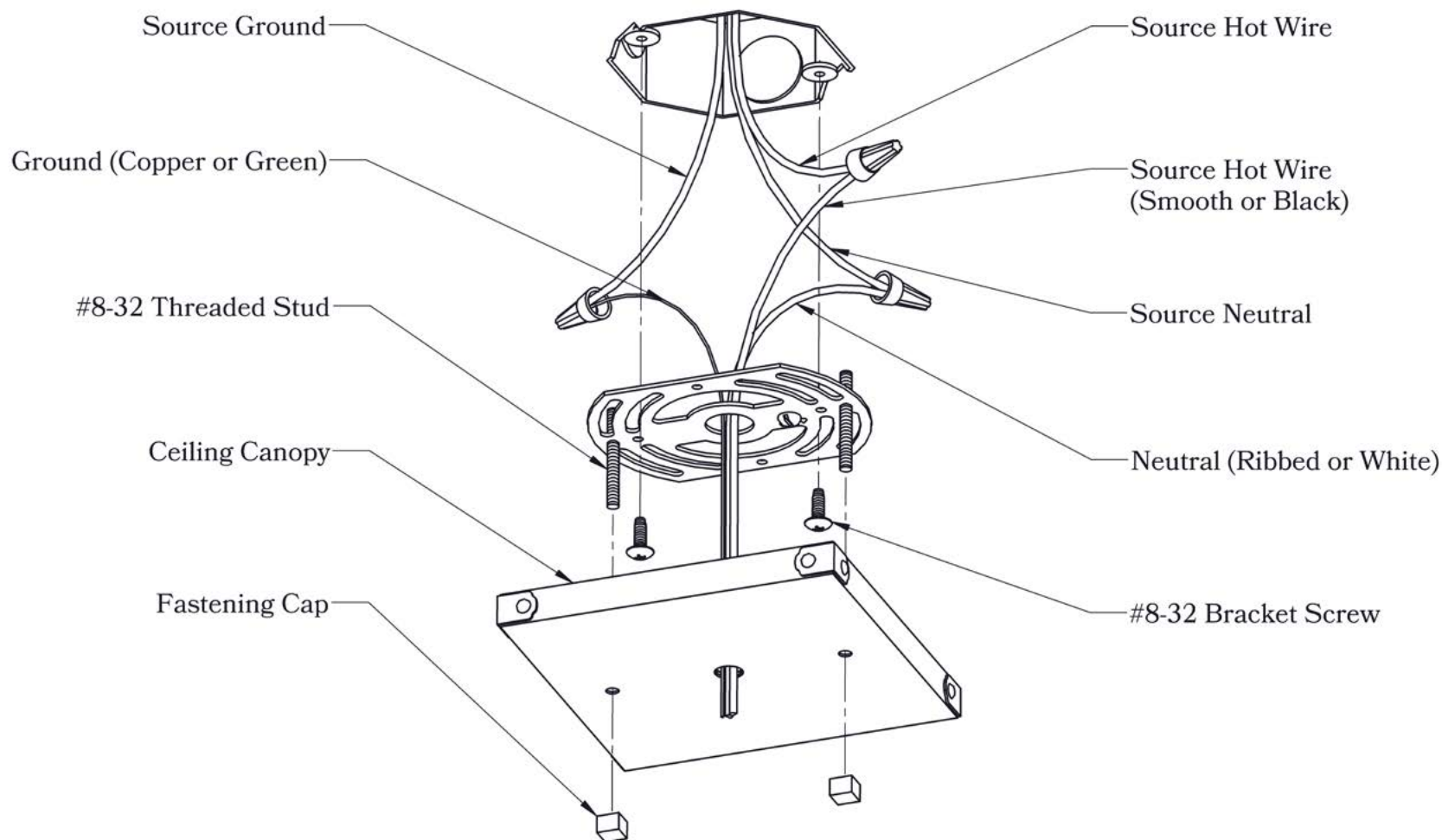
Sequoia



Four Corners



Glass Only

**MOUNTING INSTRUCTIONS • Chain Mount Without Fire Pan****CAUTION—DISCONNECT POWER**

Always shut off power when installing or repairing this (or any other) electrical appliance. Failure to do so may result in severe injury or death. This product must be installed in accordance with applicable installation codes by a person familiar with the construction and operation of the product, and the hazards involved.