

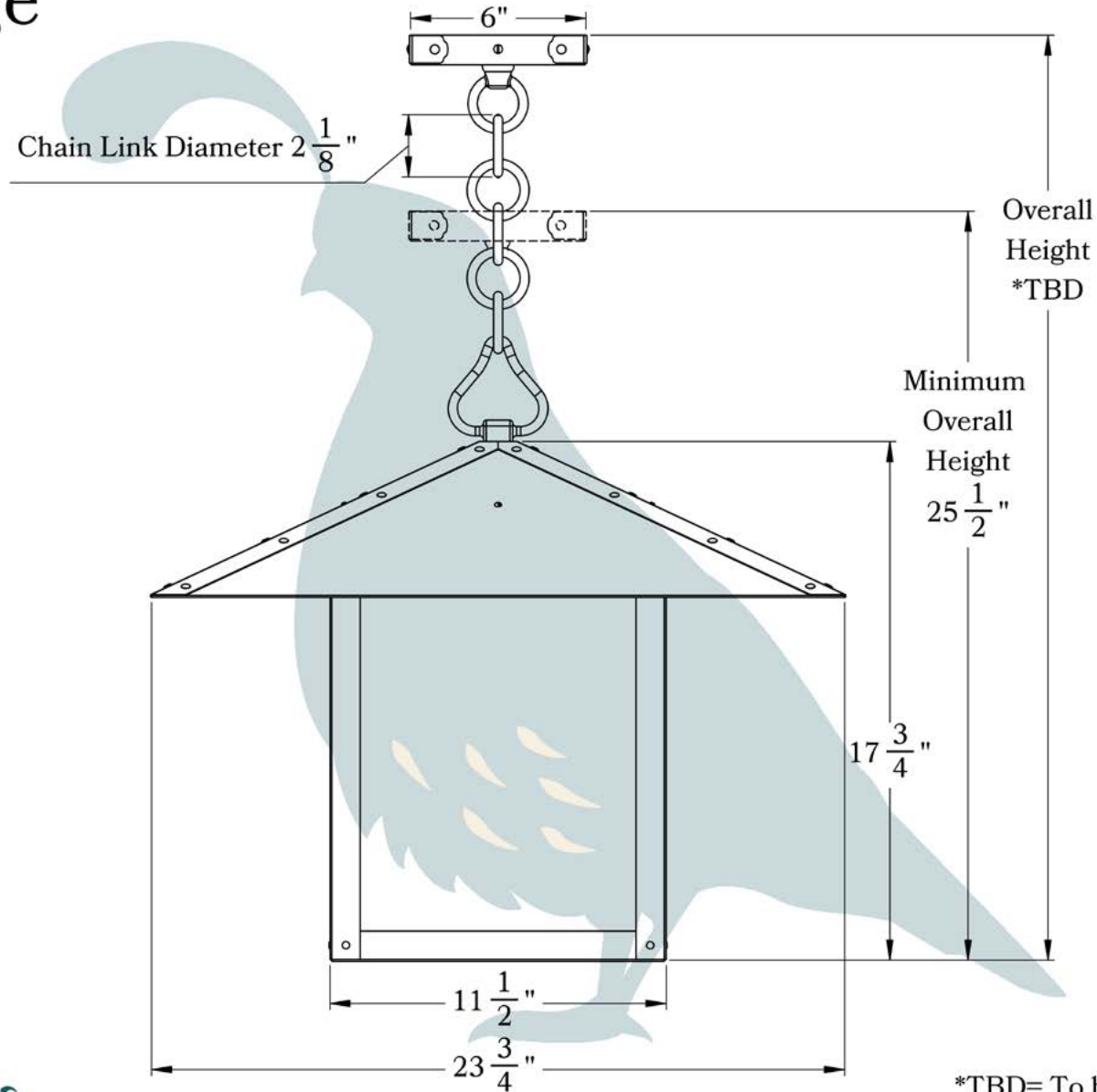
PRODUCT NO. 947-4



THE CRESCENT MEADOW SERIES
Chain Pendant Lantern
3XL

OLD CALIFORNIA
FINE LIGHTING &
HOME GOODS

3X Large



*TBD= To be determined

PROPRIETARY AND CONFIDENTIAL

The information contained in this drawing is the sole property of Old California. Any reproduction in part or as a whole without written permission from Old California is prohibited.



975 N ENTERPRISE ST • ORANGE, CA 92867

PRODUCT No.	947-4	LAMP BASE	Medium Base (E26)
TITLE	Crescent Meadow	MAX WATTAGE	100W
UL RATING	Damp	VOLTAGE	120V

DIMENSIONS

Roof Width	23 3/4"
Body Width	11 1/2"
Lantern Height	17 3/4"
Minimum Height	25 1/2"
Canopy	6"

OVERLAYS AVAILABLE IN THIS SERIES



Sequoia



Four Corners



Glass Only

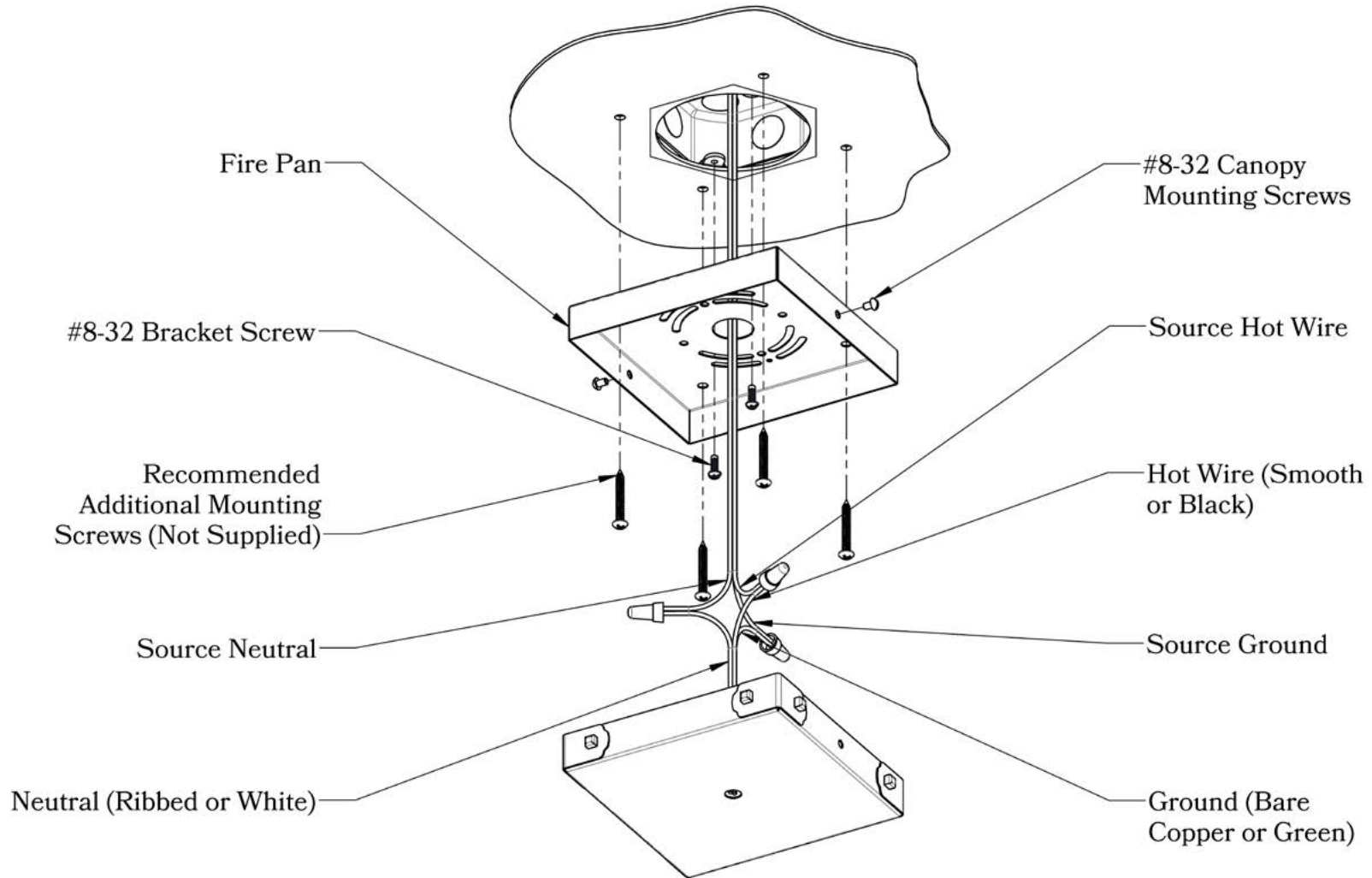
ELECTRICAL SPECS

UL Rating	Damp
Voltage	120V
Socket Type	Medium Base - E26
Number of Light Bulbs	1
Max Wattage per Bulb	100W
LED Bulb	Supplied
Dimmable	Yes

ADDITIONAL INFORMATION

Manufacturer	Old California
Mounting Location	Interior and Exterior
Material	Brass
Multiple Overlay Options	Yes
Bottom Glass Panels	Included

MOUNTING INSTRUCTIONS • Chain Mount With Fire Pan



CAUTION—DISCONNECT POWER

Always shut off power when installing or repairing this (or any other) electrical appliance. Failure to do so may result in severe injury or death. This product must be installed in accordance with applicable installation codes by a person familiar with the construction and operation of the product, and the hazards involved.