

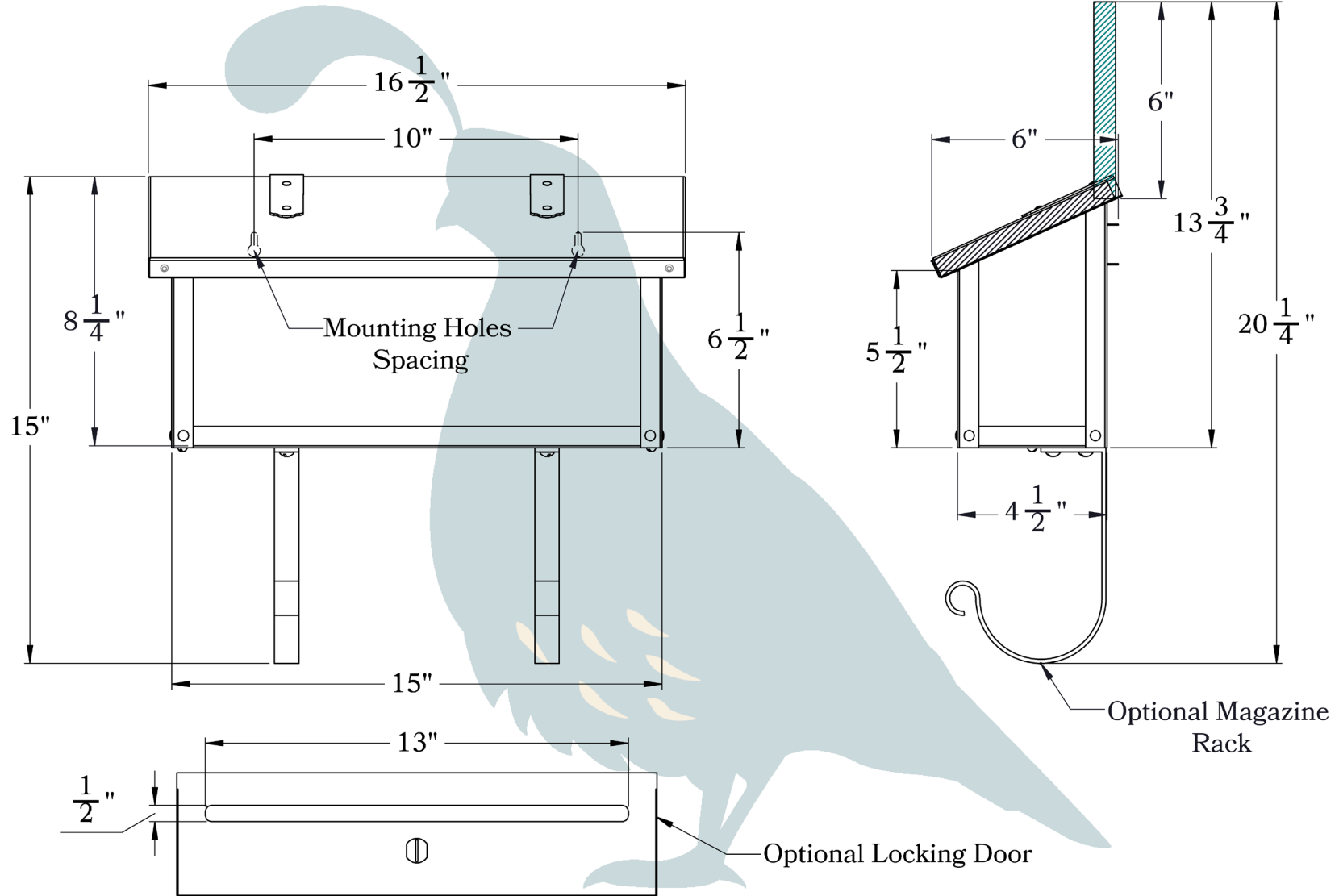


Wall Mount Mailbox

HORIZONTAL



Horizontal



975 N ENTERPRISE ST • ORANGE, CA 92867

Suitable for Damp Location

PROPRIETARY AND CONFIDENTIAL
The information contained in this drawing is the sole property of Old California. Any reproduction in part or as a whole without written permission from Old California is prohibited.

DIMENSIONS

Width	16 1/2"
Body Width	15"
Height	8 1/4"
Projection	6"
Lid Dimensions	16 1/2" x 6"

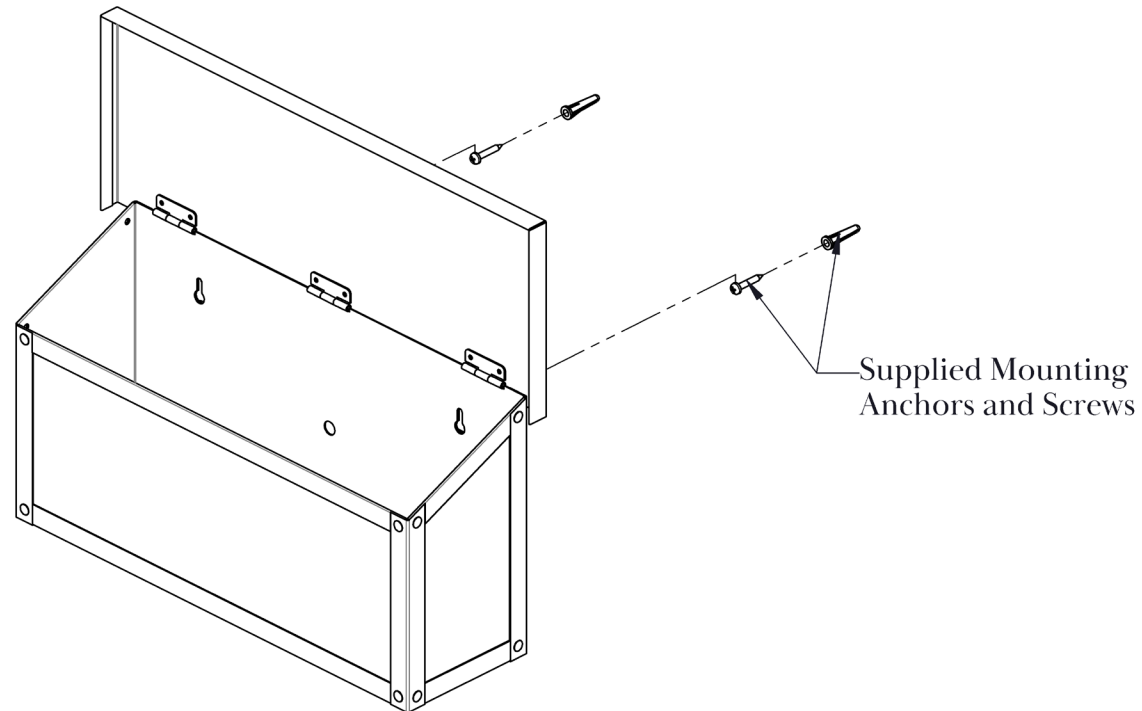
ADDITIONAL INFORMATION

Manufacturer	Old California
Mounting Location	Exterior
Material	Brass

ACCESSORIES

Locking Door	Must be ordered with new mailbox.
Magazine Rack	Matching finish. Can be added later.

MOUNTING INSTRUCTIONS • Mailbox

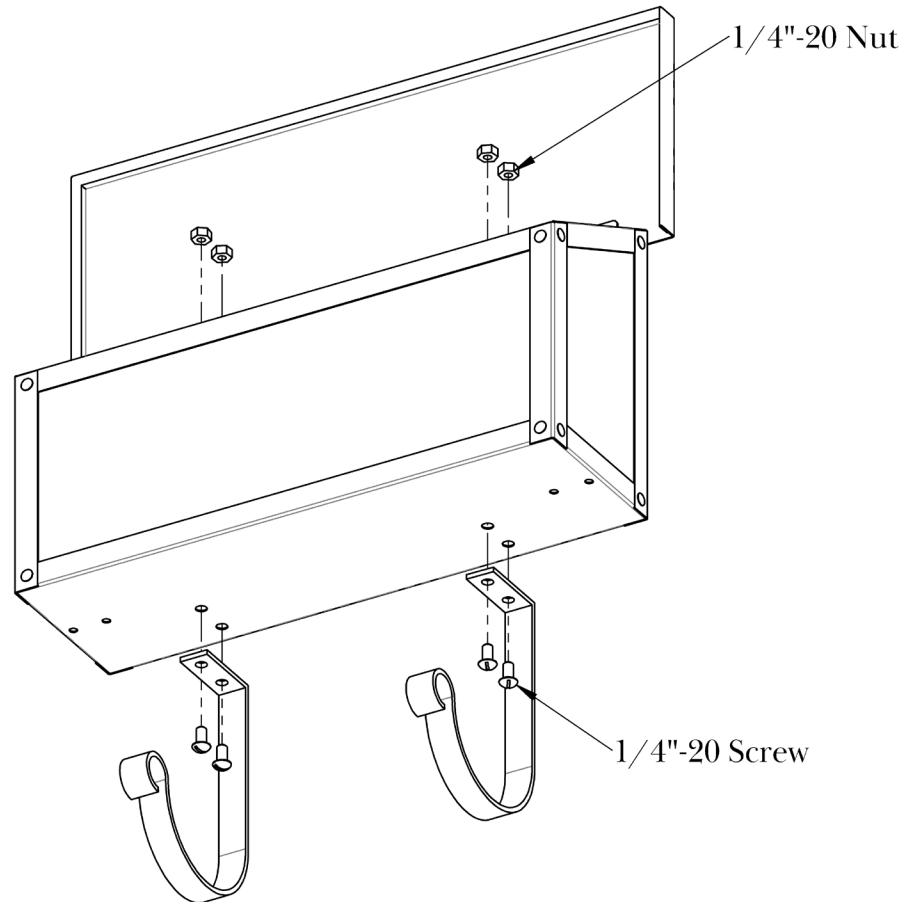


1. Using a ¼" drill bit, mark and drill two level holes 10" apart.
2. Hammer the blue plug anchors into the holes.
3. Screw the two #10 screws into the two blue anchors, leaving ½" of thread exposed outside the wall.
4. Slide the mailbox over the two stainless steel screws using the two key slot holes in the back of the mailbox. Once the heads of the screws have passed the back wall of the mailbox, allow the box to drop down and rest level on to the screws.
5. Gently tighten the screws until the mailbox is snug to the wall. Do not over tighten.

CAUTION—DISCONNECT POWER

Always shut off power when installing or repairing this (or any other) electrical appliance. Failure to do so may result in severe injury or death. This product must be installed in accordance with applicable installation codes by a person familiar with the construction and operation of the product, and the hazards involved.

IF YOU ORDERED THE OPTIONAL MAGAZINE RACK:
MOUNTING INSTRUCTIONS • Optional Magazine Rack Mounting



1. Attach the magazine rack to the bottom of the mailbox with the four screws and nuts provided in your parts kit.

CAUTION—DISCONNECT POWER

Always shut off power when installing or repairing this (or any other) electrical appliance. Failure to do so may result in severe injury or death. This product must be installed in accordance with applicable installation codes by a person familiar with the construction and operation of the product, and the hazards involved.