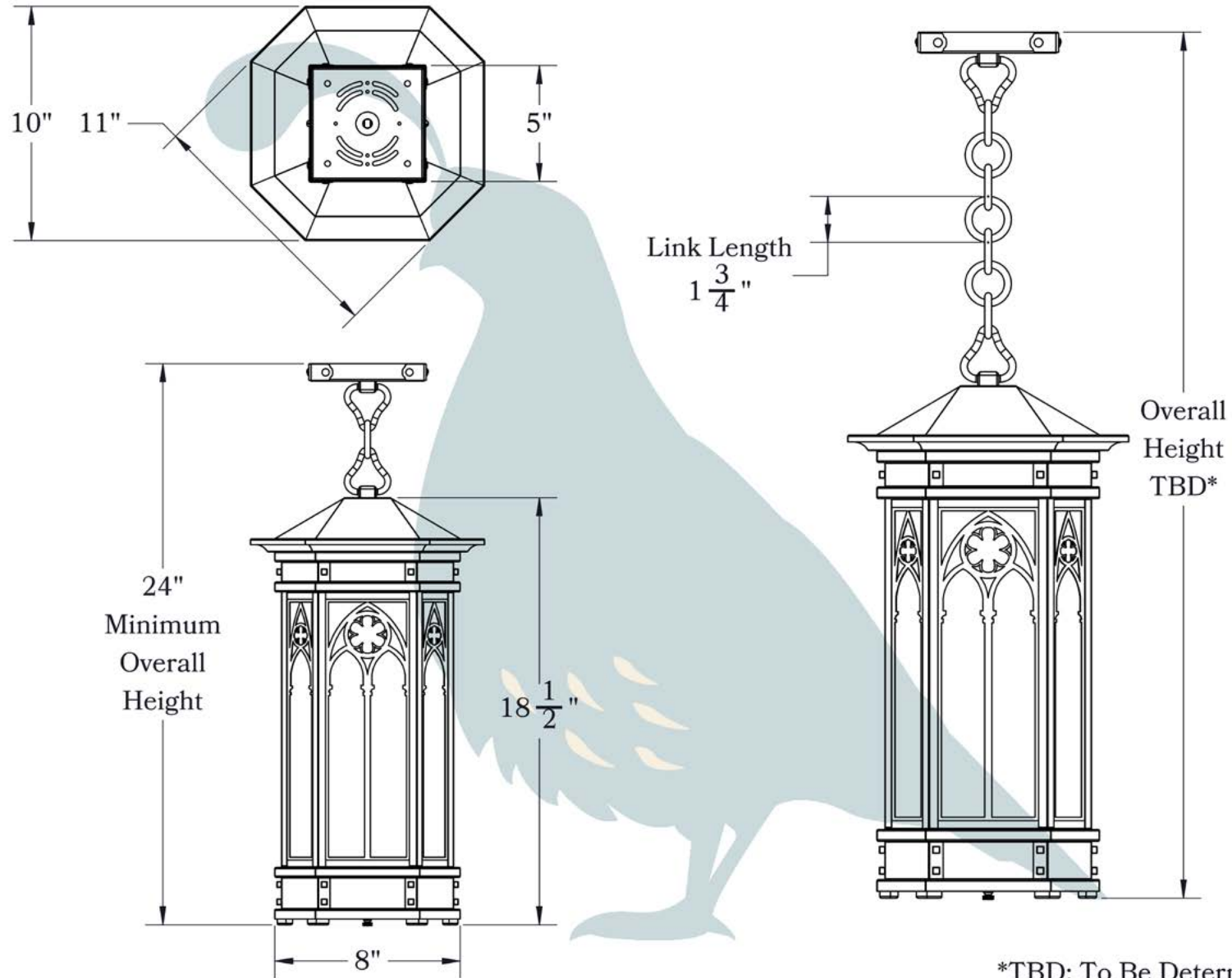




THE 'RESTORED' SERIES  
**1926 Tudor Revival Foyer Pendant**

**OLD CALIFORNIA**  
FINE LIGHTING & HOME GOODS





\*TBD: To Be Determined



975 N ENTERPRISE ST • ORANGE, CA 92867

PRODUCT No. | RST-5737  
 TITLE | Waterman Collaboration  
 UL RATING | Damp

LAMP BASE | Medium Base (E26)  
 WATTAGE | 2-75W  
 VOLTAGE | 120V

**PROPRIETARY AND CONFIDENTIAL**  
 The information contained in this drawing is the sole property of Old California. Any reproduction in part or as a whole without written permission from Old California is prohibited.

## DIMENSIONS

Roof Width	10" x 11"
Body Width	8"
Lantern Height	18 1/2"
Minimum Height	24"
Canopy	5"

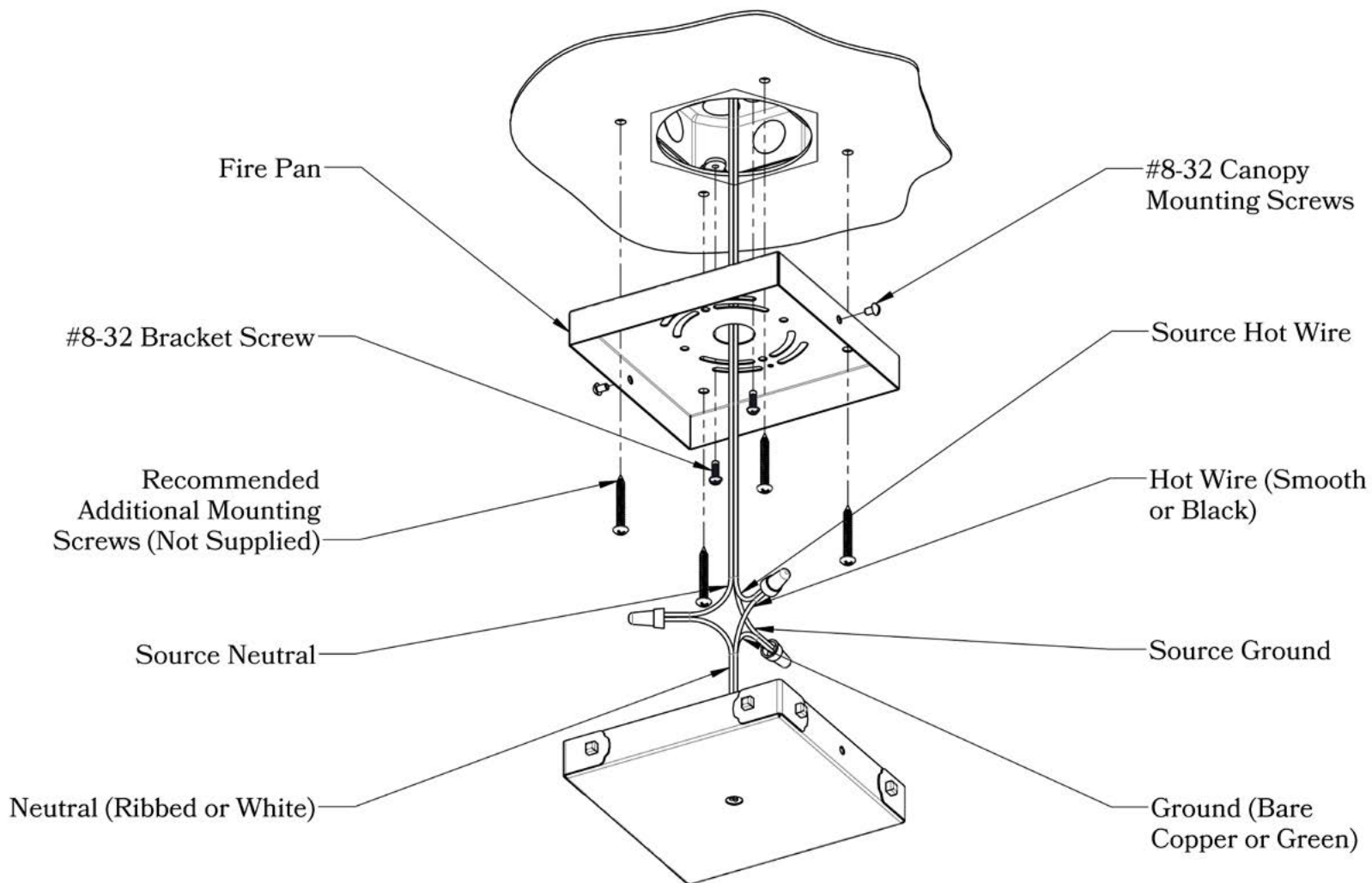
## ELECTRICAL SPECS

UL Rating	Damp
Voltage	120V
Socket Type	Medium Base - E26
Number of Light Bulbs	2
Max Wattage per Bulb	75W
LED Bulb	Supplied
Dimmable	Yes

## ADDITIONAL INFORMATION

Manufacturer	Old California
Mounting Location	Interior and Exterior
Material	Brass
Bottom Glass Panels	Included

## MOUNTING INSTRUCTIONS • Chain Mount With Fire Pan

**CAUTION—DISCONNECT POWER**

Always shut off power when installing or repairing this (or any other) electrical appliance. Failure to do so may result in severe injury or death. This product must be installed in accordance with applicable installation codes by a person familiar with the construction and operation of the product, and the hazards involved.