

PRODUCT NO. RST-6143-XL

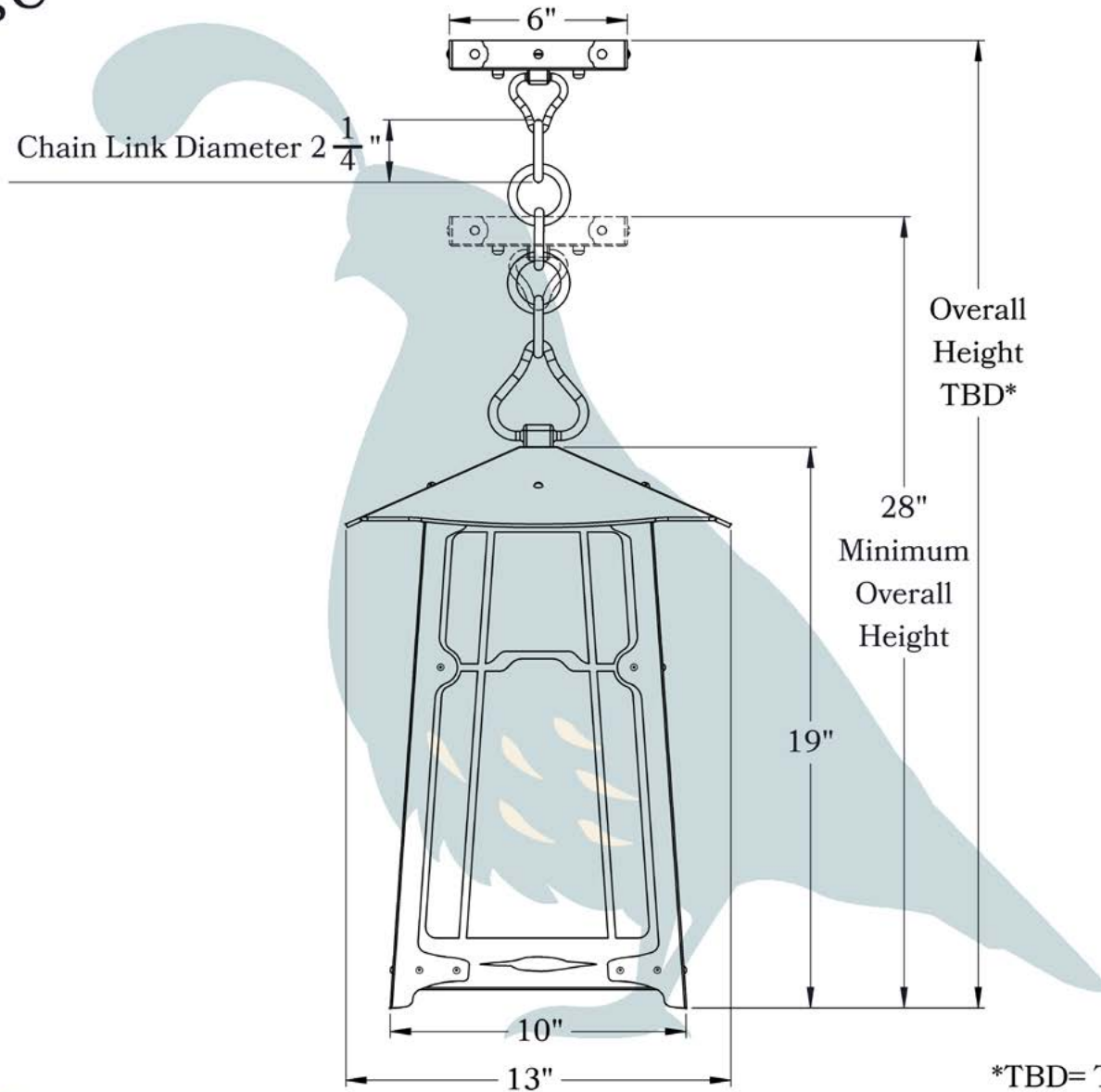


THE 'RESTORED' SERIES
Chain Pendant Lantern

EXTRA LARGE


**OLD
CALIFORNIA**
FINE LIGHTING &
HOME GOODS

X Large



*TBD= To be determined

PRODUCT No.	RST-6143-XL	LAMP BASE	Medium Base (E26)
TITLE	Waterman Collaboration	WATTAGE	100W
UL RATING	Damp	VOLTAGE	120V

PROPRIETARY AND CONFIDENTIAL
 The information contained in this drawing is the sole property of Old California. Any reproduction in part or as a whole without written permission from Old California is prohibited.



975 N ENTERPRISE ST • ORANGE, CA 92867

DIMENSIONS

Roof Width	13"
Body Width	10"
Lantern Height	19"
Minimum Height	28"
Canopy	6"

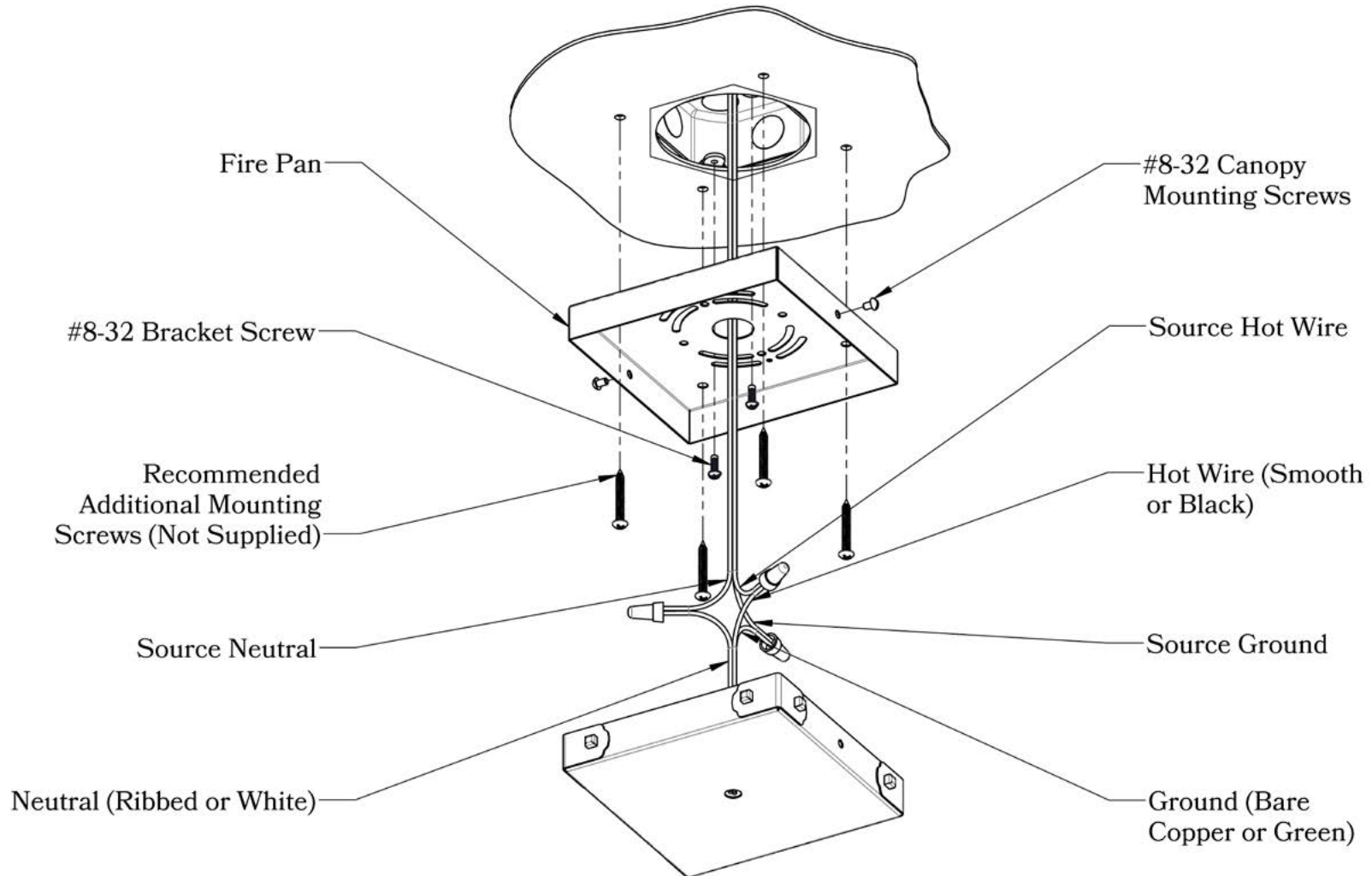
ELECTRICAL SPECS

UL Rating	Damp
Voltage	120V
Socket Type	Medium Base - E26
Number of Light Bulbs	1
Max Wattage per Bulb	100W
LED Bulb	Supplied
Dimmable	Yes

ADDITIONAL INFORMATION

Manufacturer	Old California
Mounting Location	Interior and Exterior
Material	Brass
Bottom Glass Panels	Included

MOUNTING INSTRUCTIONS • Chain Mount With Fire Pan

**CAUTION—DISCONNECT POWER**

Always shut off power when installing or repairing this (or any other) electrical appliance. Failure to do so may result in severe injury or death. This product must be installed in accordance with applicable installation codes by a person familiar with the construction and operation of the product, and the hazards involved.