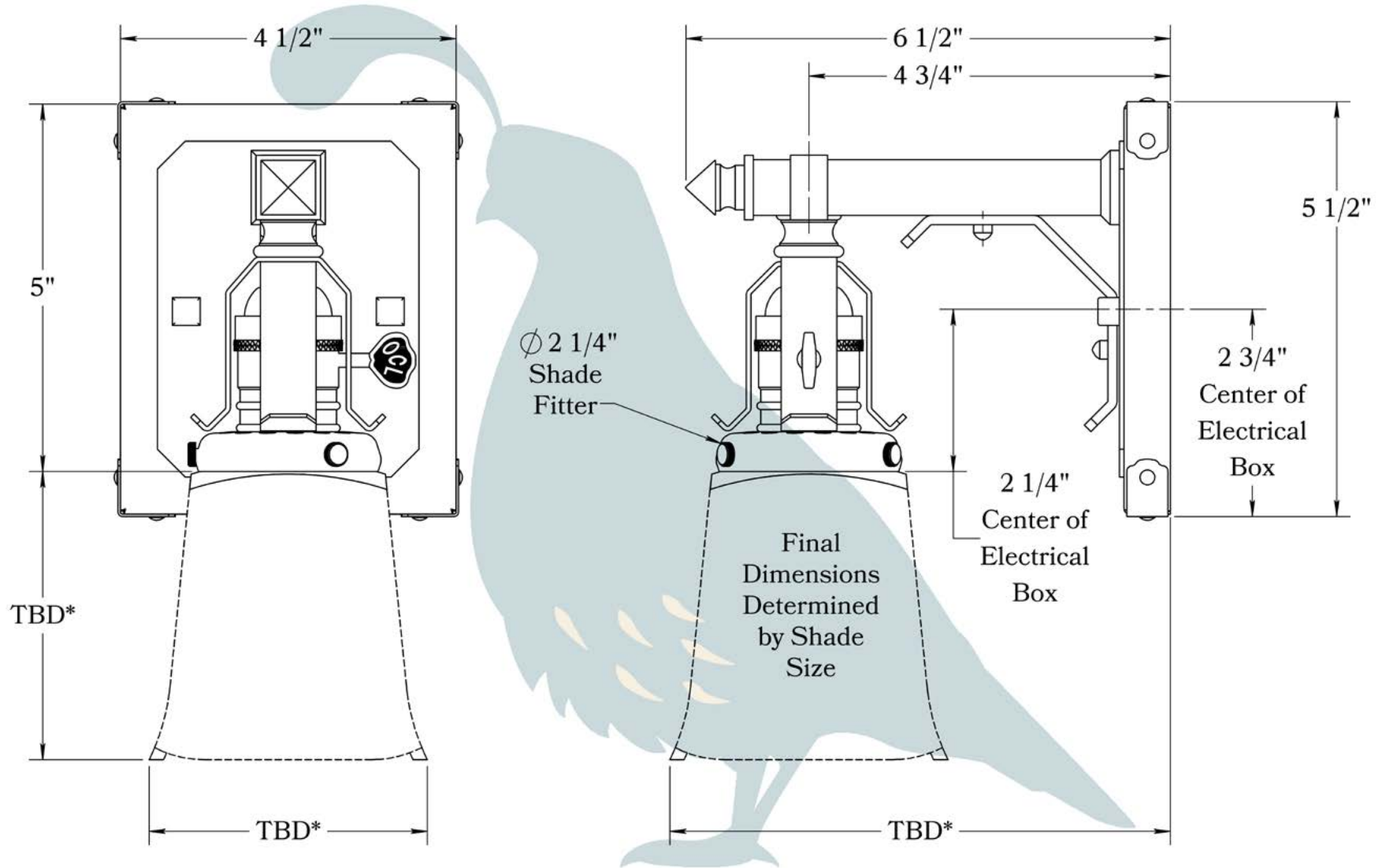




BRETT WATERMAN COLLABORATION  
**1923 Craftsman  
Bungalow Wall Sconce**

GLASS SHADE

**OLD CALIFORNIA**  
FINE LIGHTING &  
HOME GOODS



\*TBD: To Be Determined



975 N ENTERPRISE ST • ORANGE, CA 92867

PRODUCT No. | RST-910-1  
 TITLE | Waterman Collaboration  
 UL RATING | Damp

LAMP BASE | Medium Base (E26)  
 WATTAGE | 60W  
 VOLTAGE | 120V

**PROPRIETARY AND CONFIDENTIAL**  
 The information contained in this drawing is the sole property of Old California. Any reproduction in part or as a whole without written permission from Old California is prohibited.

## DIMENSIONS

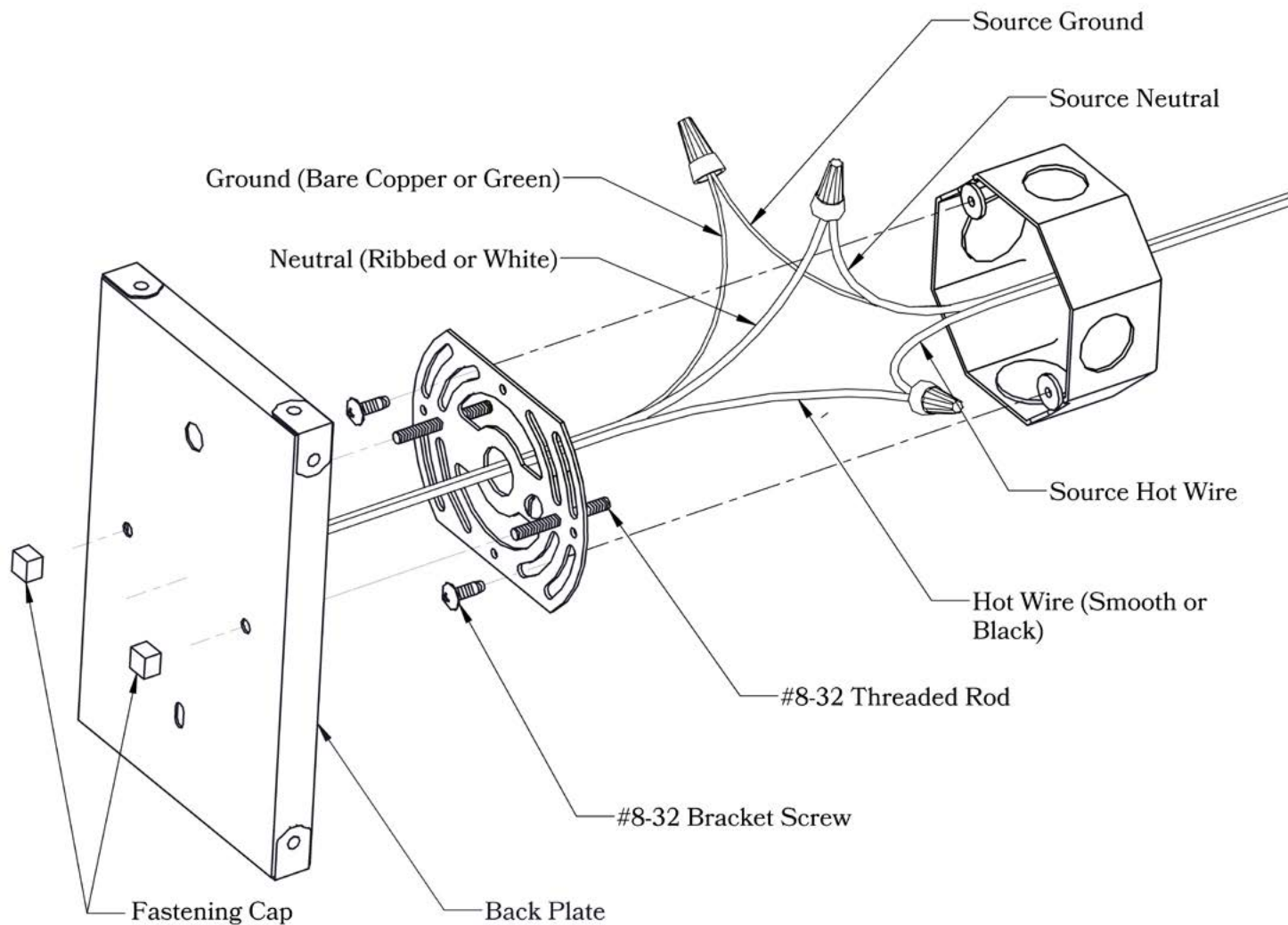
Width	4 1/2"
Height (Without Shade)	5"
Projection to Center of Socket	4 3/4"
Mounting Plate	4 1/2" x 5 1/2"
Shade Fitter Size	2 1/4"

## ELECTRICAL SPECS

UL Rating	Damp
Voltage	120V
Socket Type	Medium Base - E26
Number of Light Bulbs	1
Max Wattage per Bulb	60W
LED Bulb	Supplied
Dimmable	Yes
On/Off Switch	Key Switch

## ADDITIONAL INFORMATION

Manufacturer	Old California
Mounting Location	Interior
Material	Brass

**MOUNTING INSTRUCTIONS • Wall Mount With Caps****CAUTION—DISCONNECT POWER**

Always shut off power when installing or repairing this (or any other) electrical appliance. Failure to do so may result in severe injury or death. This product must be installed in accordance with applicable installation codes by a person familiar with the construction and operation of the product, and the hazards involved.