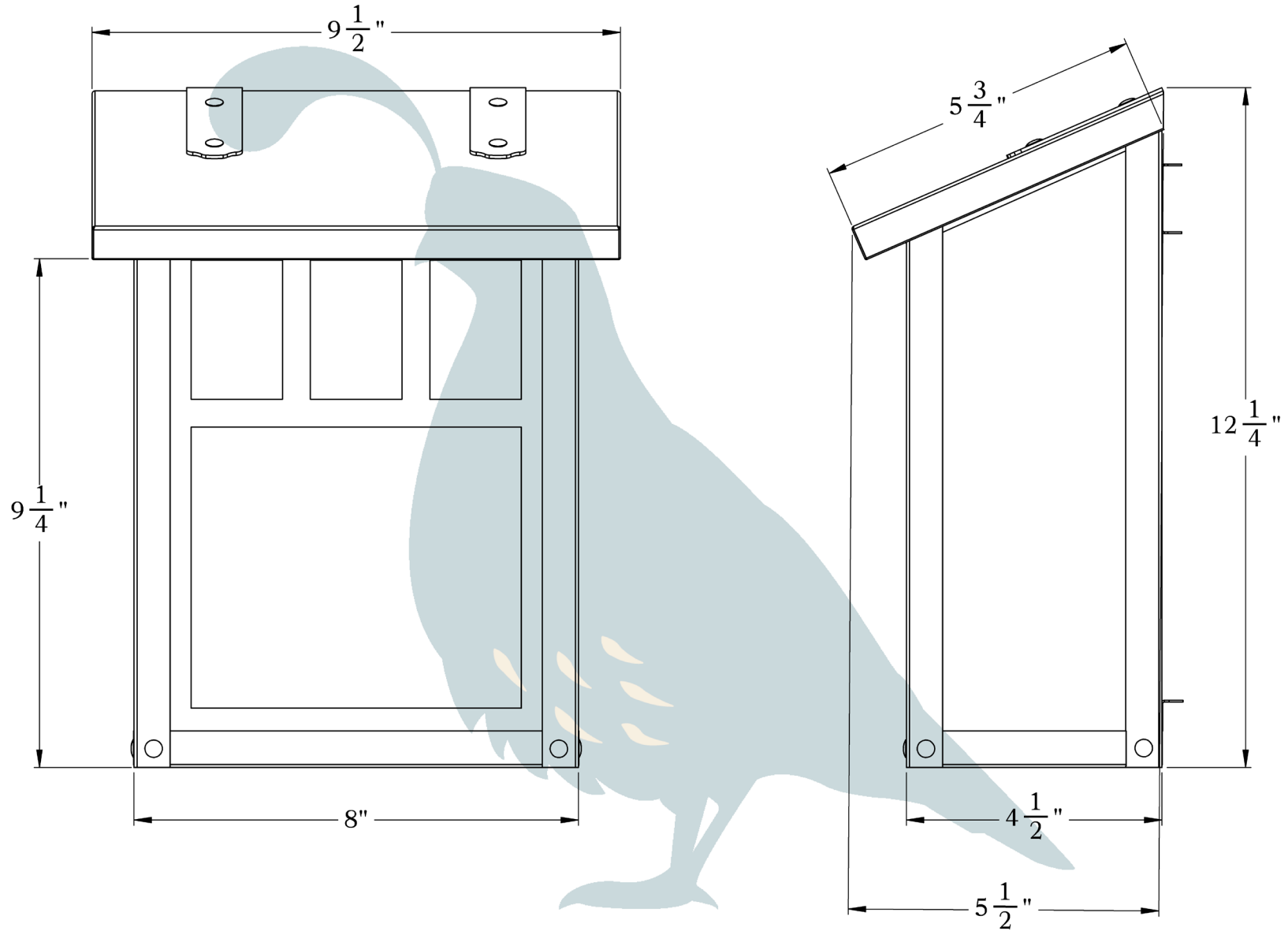




BRETT WATERMAN COLLABORATION  
**Wall Mount Mailbox**

VERTICAL





## DIMENSIONS

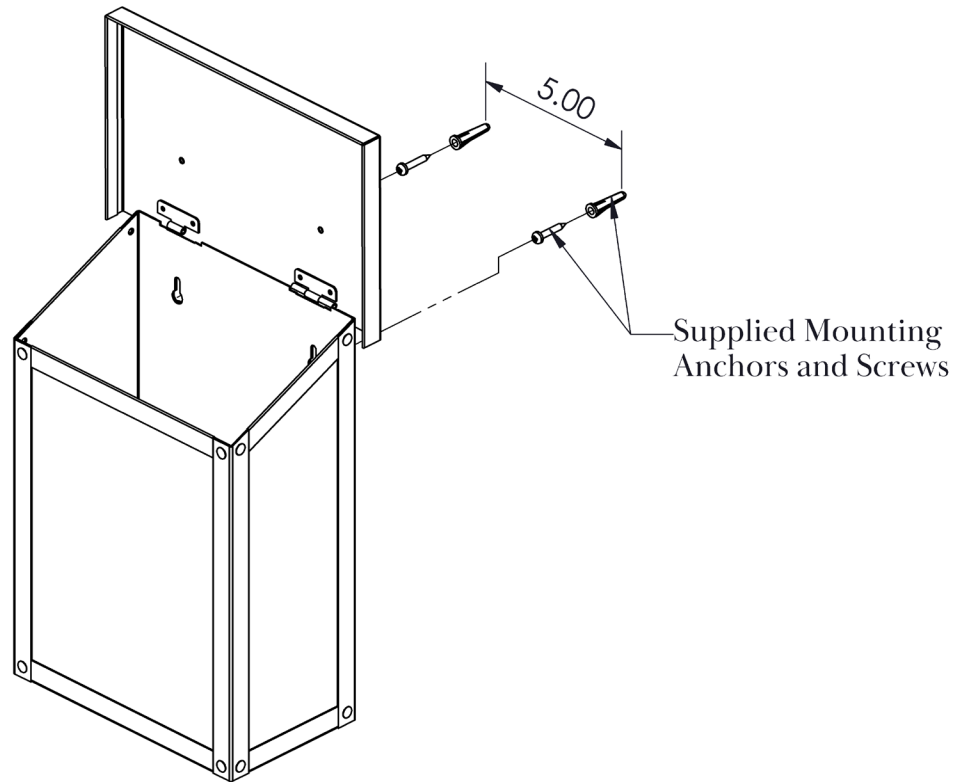
Width	9 1/2"
Body Width	8"
Height	12 1/4"
Projection	5 1/2"
Lid Dimensions	9 1/2" x 5 3/4"

## ADDITIONAL INFORMATION

Manufacturer	Old California
Mounting Location	Exterior
Material	Brass

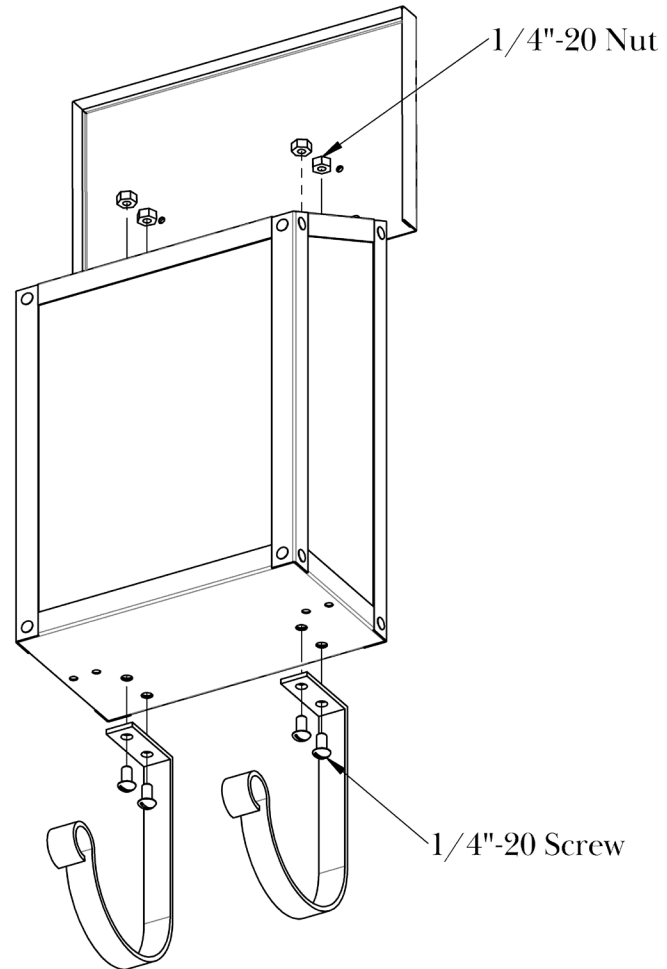
## ACCESSORIES

Locking Door	Must be ordered with new mailbox.
Magazine Rack	Matching finish. Can be added later.

**MOUNTING INSTRUCTIONS • Vertical Mailbox**

1. Using a  $\frac{1}{4}$ " drill bit, mark and drill two level holes 5" apart.
2. Hammer the blue plug anchors into the holes.
3. Screw the two #10 mounting screws into the two blue anchors, leaving  $\frac{1}{2}$ " of thread exposed outside the wall.
4. Slide the mailbox over the two stainless steel screws using the two key slot holes in the back of the mailbox. Once the heads of the screws have passed the back wall of the mailbox, allow the box to drop down and rest level on to the screws.
5. Gently tighten the screws until the mailbox is snug to the wall. Do not over tighten.

IF YOU ORDERED THE OPTIONAL MAGAZINE RACK:  
MOUNTING INSTRUCTIONS • Optional Magazine Rack Mounting



1. Attach the magazine rack to the bottom of the mailbox with the four screws and nuts provided in your parts kit.