

THE WENTWORTH AVENUE COLLECTION

OLD CALIFORNIA

'Where historie & architecture come to lyt'

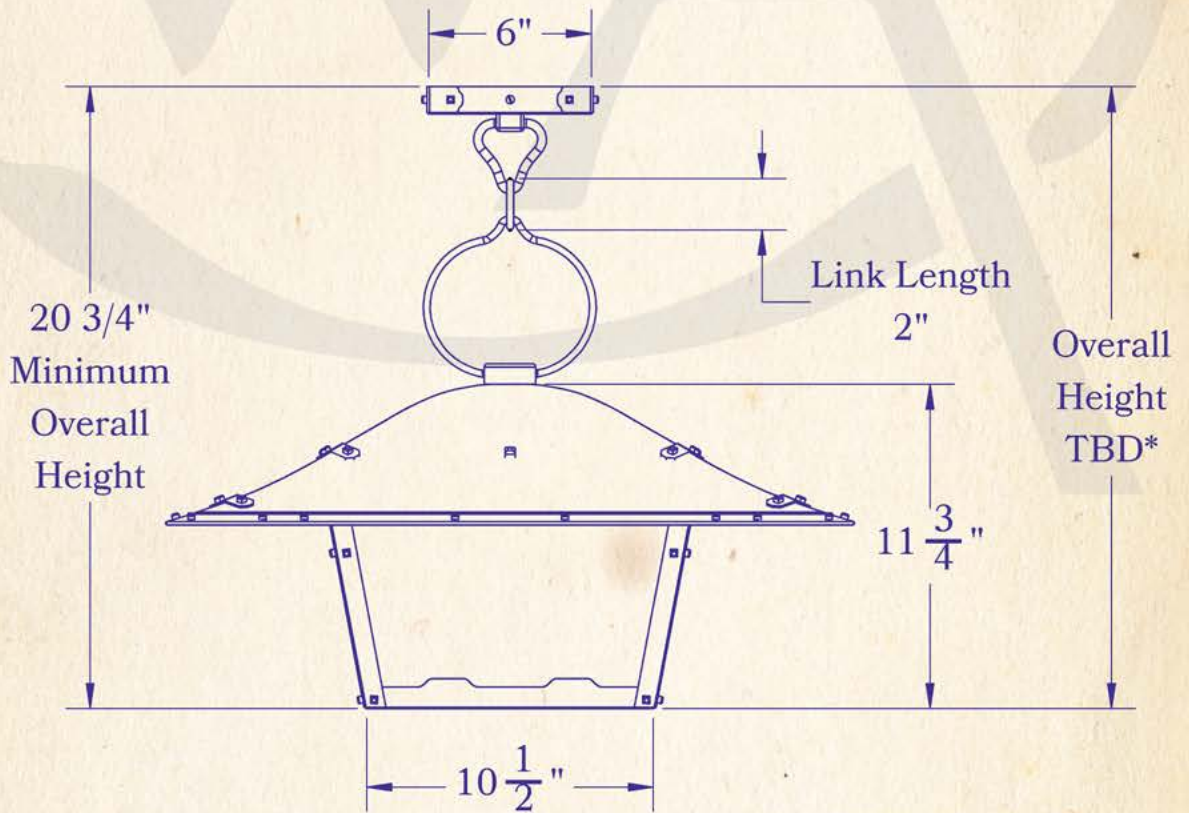
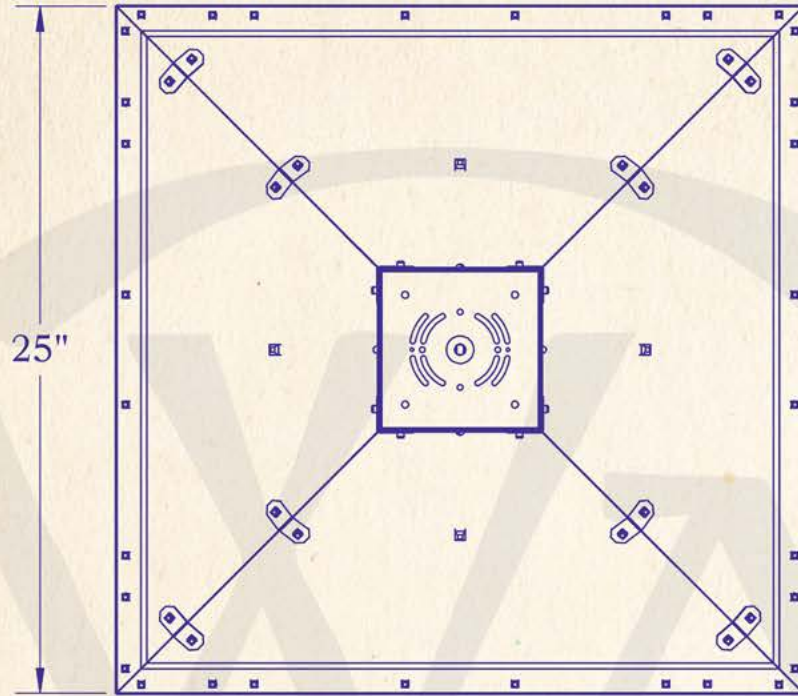


CHAIN MOUNTED GAMBLE HOUSE LANTERN

A REPRODUCTION OF THE PENDANT
LANTERN HANGING FROM THE EAVES
OF THE GARAGE AT THE GAMBLE HOUSE

PASADENA, CALIFORNIA • 1908

NINE-HUNDRED-SEVENTY-FIVE-NORTH-ENTERPRISE-STREET-ORANGE-CALIFORNIA



*TBD: To Be Determined



LAMP BASE	Medium Base (E26)	TITLE	GAMBLE HOUSE Chain Mount Lantern
MAX WATTAGE	60W	PRODUCT NO.	8004-4
VOLTAGE	120V		
UL RATING	Damp		

PROPRIETARY AND CONFIDENTIAL
The information contained in this drawing is the sole property of Old California. Any reproduction in part or as a whole without written permission from Old California is prohibited.

DIMENSIONS

Roof Width	25"
Body Width	10 1/2"
Lantern Height	11 3/4"
Minimum Height	20 3/4"
Canopy	6"

ELECTRICAL

UL Rating	Damp
Voltage	120v
Socket Type	Medium Base - E26
Number of Light Bulbs	1
Max Wattage per Bulb	60w
LED Bulb	Supplied
Dimmable	Yes

ADDITIONAL

Manufacturer	Old California
Mounting Location	Interior and Exterior
Material	Brass
Bottom Glass Panels	Included

MOUNTING INSTRUCTIONS
AVAILABLE SOON

PLEASE CALL 800.577.6679
FOR OUR CURRENT VERSIONS