

THE WENTWORTH AVENUE COLLECTION

OLD CALIFORNIA

'Where historie & architecture come to lyt'

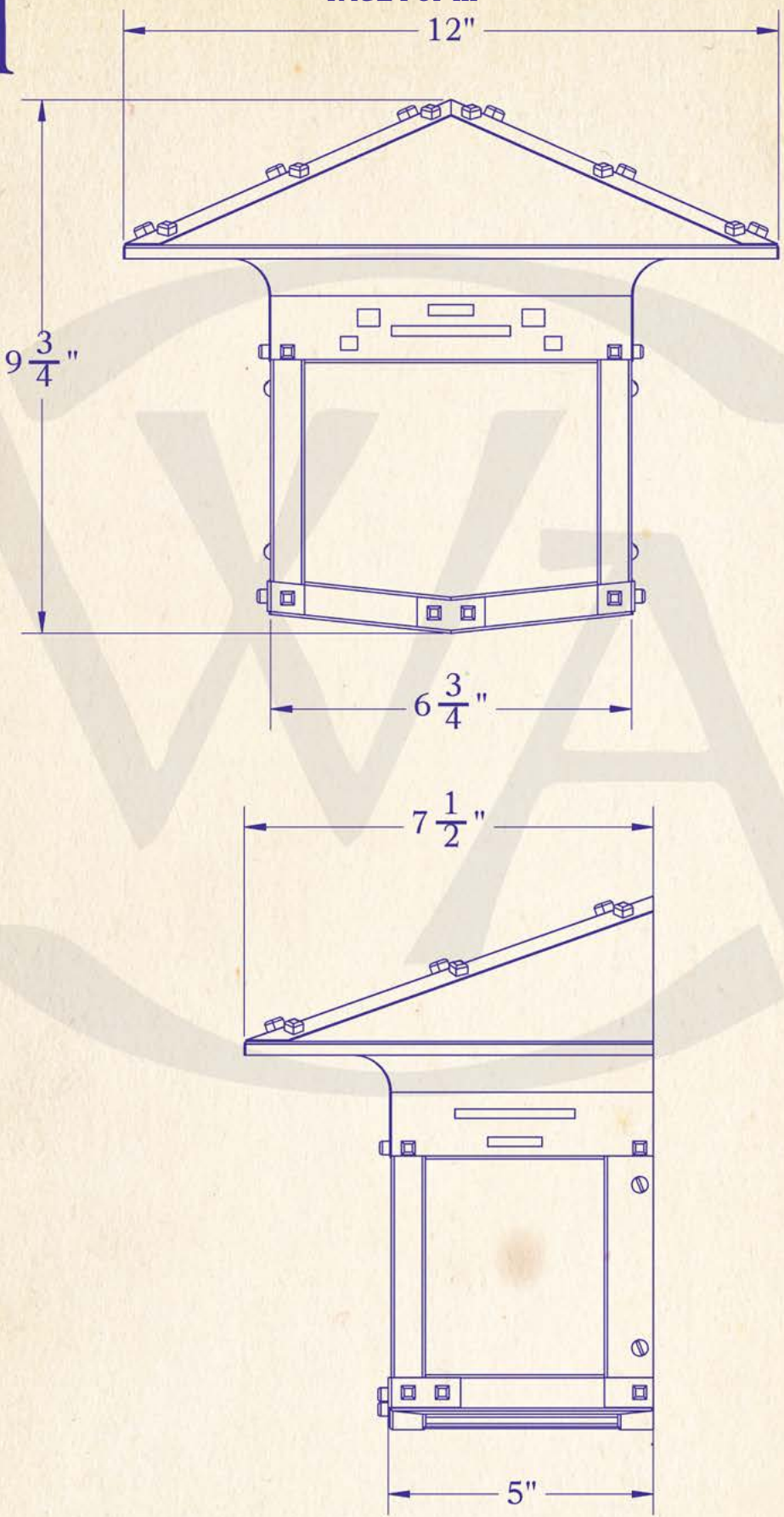


BLACKER HOUSE FLUSH MOUNTED LANTERN

A REPRODUCTION OF THE DISTINCTIVE
PORTE-COCHERE LANTERN FROM THE
BLACKER HOUSE, MODIFIED TO FIT FLUSH
TO A WALL • PASADENA, CALIFORNIA • 1907

NINE-HUNDRED-SEVENTY-FIVE-NORTH-ENTERPRISE-STREET-ORANGE-CALIFORNIA

Small



LAMP BASE	Medium Base (E26)
MAX WATTAGE	60W
VOLTAGE	120V
UL RATING	Damp

TITLE	BLACKER HOUSE Flush Mount Wall Sconce
PRODUCT NO.	8012-2

PROPRIETARY AND CONFIDENTIAL
The information contained in this drawing is the sole property of Old California. Any reproduction in part or as a whole without written permission from Old California is prohibited.

DIMENSIONS

Roof Width	12"
Body Width	6 3/4"
Height	9 3/4"
Projection	7 1/2"

ELECTRICAL

UL Rating	Damp
Voltage	120V
Socket Type	Medium Base - E26
Number of Light Bulbs	1
Max Wattage per Bulb	60w
LED Bulb	Supplied
Dimmable	Yes

ADDITIONAL

Manufacturer	Old California
Mounting Location	Interior and Exterior
Material	Brass
Bottom Glass Panels	Included

MOUNTING INSTRUCTIONS
AVAILABLE SOON

PLEASE CALL 800.577.6679
FOR OUR CURRENT VERSIONS