

THE WENTWORTH AVENUE COLLECTION

OLD CALIFORNIA

'Where historie & architecture come to lyt'

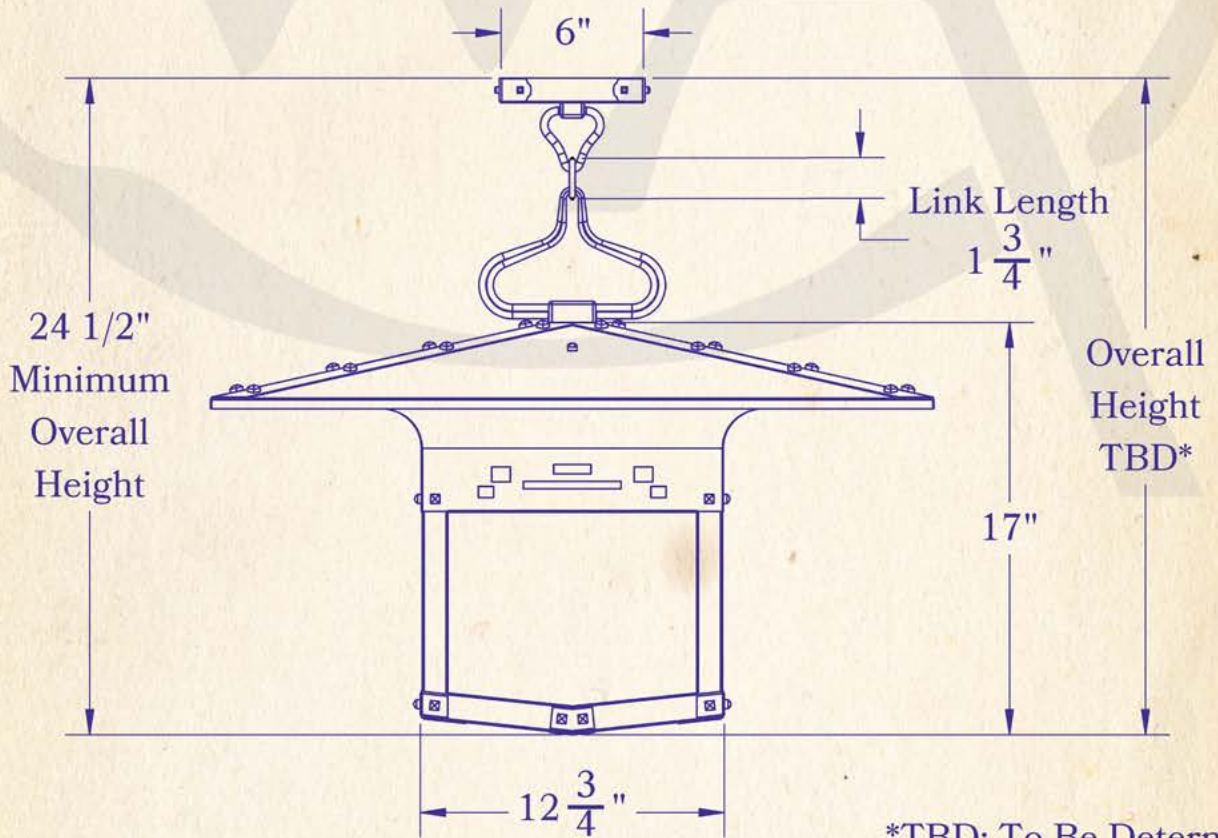
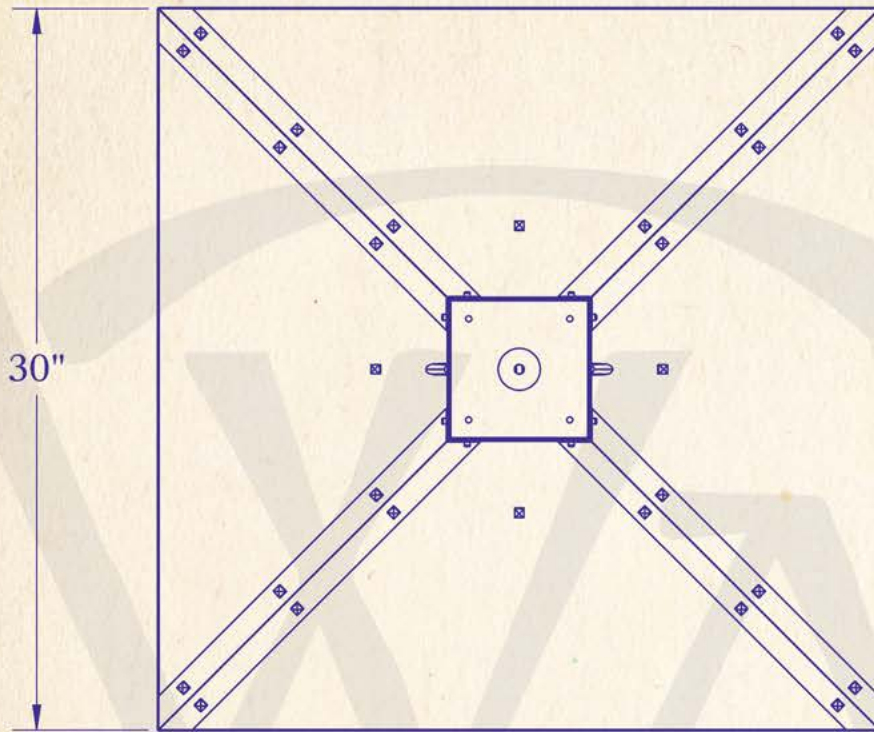


BLACKER HOUSE CHAIN MOUNTED LANTERN

A REPRODUCTION OF THE
PORTE-COCHERE LANTERN
FROM THE BLACKER HOUSE
PASADENA, CALIFORNIA • 1907

NINE-HUNDRED-SEVENTY-FIVE-NORTH-ENTERPRISE-STREET-ORANGE-CALIFORNIA

Large



*TBD: To Be Determined



LAMP BASE	Medium Base (E26)
MAX WATTAGE	60W
VOLTAGE	120V
UL RATING	Damp

TITLE
BLACKER HOUSE
Chain Mount Lantern

PRODUCT NO.

8014-4

PROPRIETARY AND CONFIDENTIAL
The information contained in this drawing is the sole property of Old California. Any reproduction in part or as a whole without written permission from Old California is prohibited.

DIMENSIONS

Roof Width	30"
Body Width	12 3/4"
Lantern Height	17"
Minimum Height	24 1/2"
Canopy	6"

ELECTRICAL

UL Rating	Damp
Voltage	120v
Socket Type	Medium Base - E26
Number of Light Bulbs	1
Max Wattage per Bulb	60w
LED Bulb	Supplied
Dimmable	Yes

ADDITIONAL

Manufacturer	Old California
Mounting Location	Interior and Exterior
Material	Brass
Bottom Glass Panels	Included

MOUNTING INSTRUCTIONS
AVAILABLE SOON

PLEASE CALL 800.577.6679
FOR OUR CURRENT VERSIONS