

THE WENTWORTH AVENUE COLLECTION

# OLD CALIFORNIA

'Where historie & architecture come to lyt'



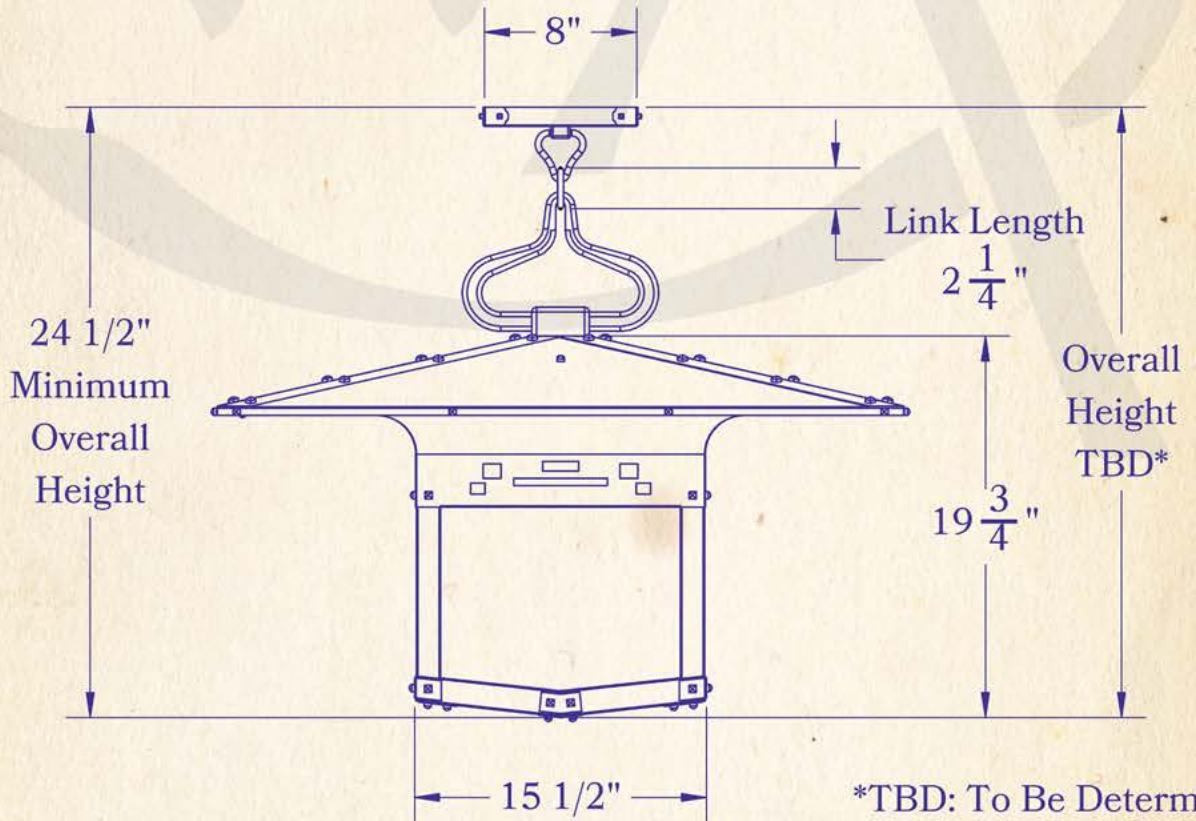
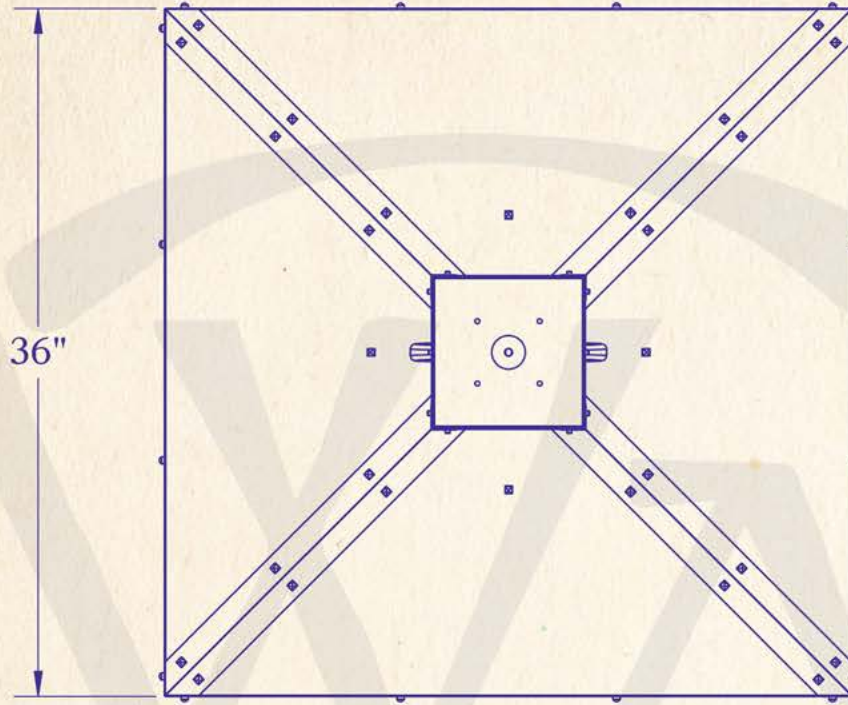
BLACKER HOUSE CHAIN MOUNTED LANTERN

A REPRODUCTION OF THE  
PORTE-COCHERE LANTERN  
FROM THE BLACKER HOUSE  
PASADENA, CALIFORNIA • 1907

NINE-HUNDRED-SEVENTY-FIVE-NORTH-ENTERPRISE-STREET-ORANGE-CALIFORNIA



# X Large



\*TBD: To Be Determined



LAMP BASE	Medium Base (E26)	TITLE	BLACKER HOUSE
MAX WATTAGE	60W		Chain Mount Lantern
VOLTAGE	120V	PRODUCT NO.	
UL RATING	Damp		<b>8015-4</b>

**PROPRIETARY AND CONFIDENTIAL**  
 The information contained in this drawing is the sole property of Old California. Any reproduction in part or as a whole without written permission from Old California is prohibited.

**DIMENSIONS**

Roof Width	36"
Body Width	15 1/2"
Lantern Height	19 3/4"
Minimum Height	24 1/2"
Canopy	8"

**ELECTRICAL**

UL Rating	Damp
Voltage	120V
Socket Type	Medium Base - E26
Number of Light Bulbs	1
Max Wattage per Bulb	60w
LED Bulb	Supplied
Dimmable	Yes

**ADDITIONAL**

Manufacturer	Old California
Mounting Location	Interior and Exterior
Material	Brass
Bottom Glass Panels	Included



MOUNTING INSTRUCTIONS  
AVAILABLE SOON

PLEASE CALL 800.577.6679  
FOR OUR CURRENT VERSIONS