

THE WENTWORTH AVENUE COLLECTION

OLD CALIFORNIA

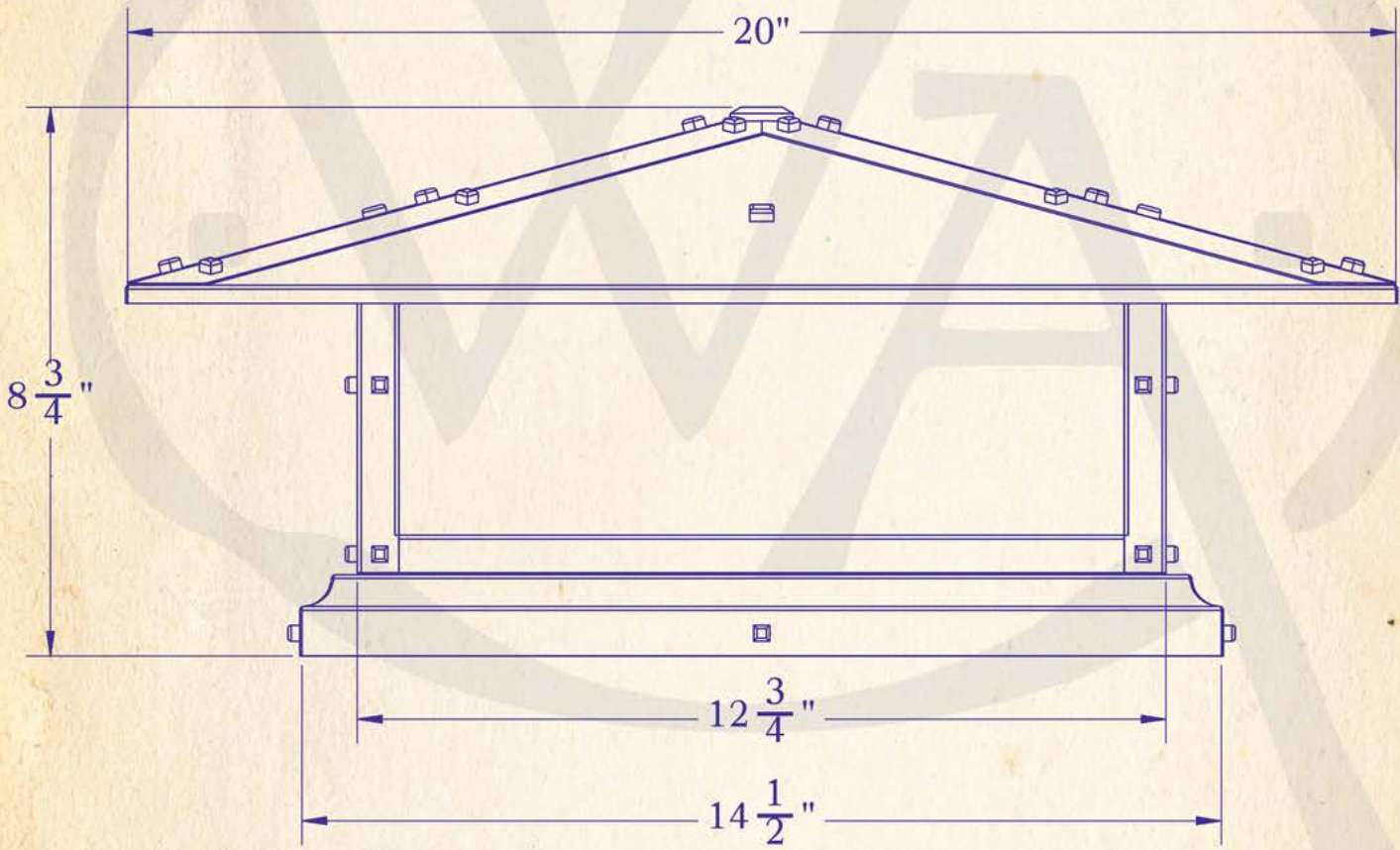
'Where historie & architecture come to lyt'



LARGE COLUMN LANTERN INSPIRED BY GREENE & GREENE

A COLUMN-MOUNTED PIER LANTERN WITH EXPOSED JOINERY BLENDING ELEMENTS OF BELOVED DESIGNS BY GREENE & GREENE

NINE-HUNDRED-SEVENTY-FIVE-NORTH-ENTERPRISE-STREET-ORANGE-CALIFORNIA



LAMP BASE	Medium Base (E26)
MAX WATTAGE	2-60W
VOLTAGE	12V or 120V
UL RATING	Wet

DIMENSIONS

Roof Width	20"
Body Width	12 3/4"
Height	8 3/4"
Mounting Plate	14 1/2"

ELECTRICAL

UL Rating	Wet
Voltage	12v or 120v
Socket Type	Medium Base - E26
Number of Light Bulbs	2
Max Wattage per Bulb	60w
LED Bulb	Supplied

ADDITIONAL

Manufacturer	Old California
Mounting Location	Exterior Only
Material	Brass

MOUNTING INSTRUCTIONS
AVAILABLE SOON

PLEASE CALL 800.577.6679
FOR OUR CURRENT VERSIONS