

THE WENTWORTH AVENUE COLLECTION

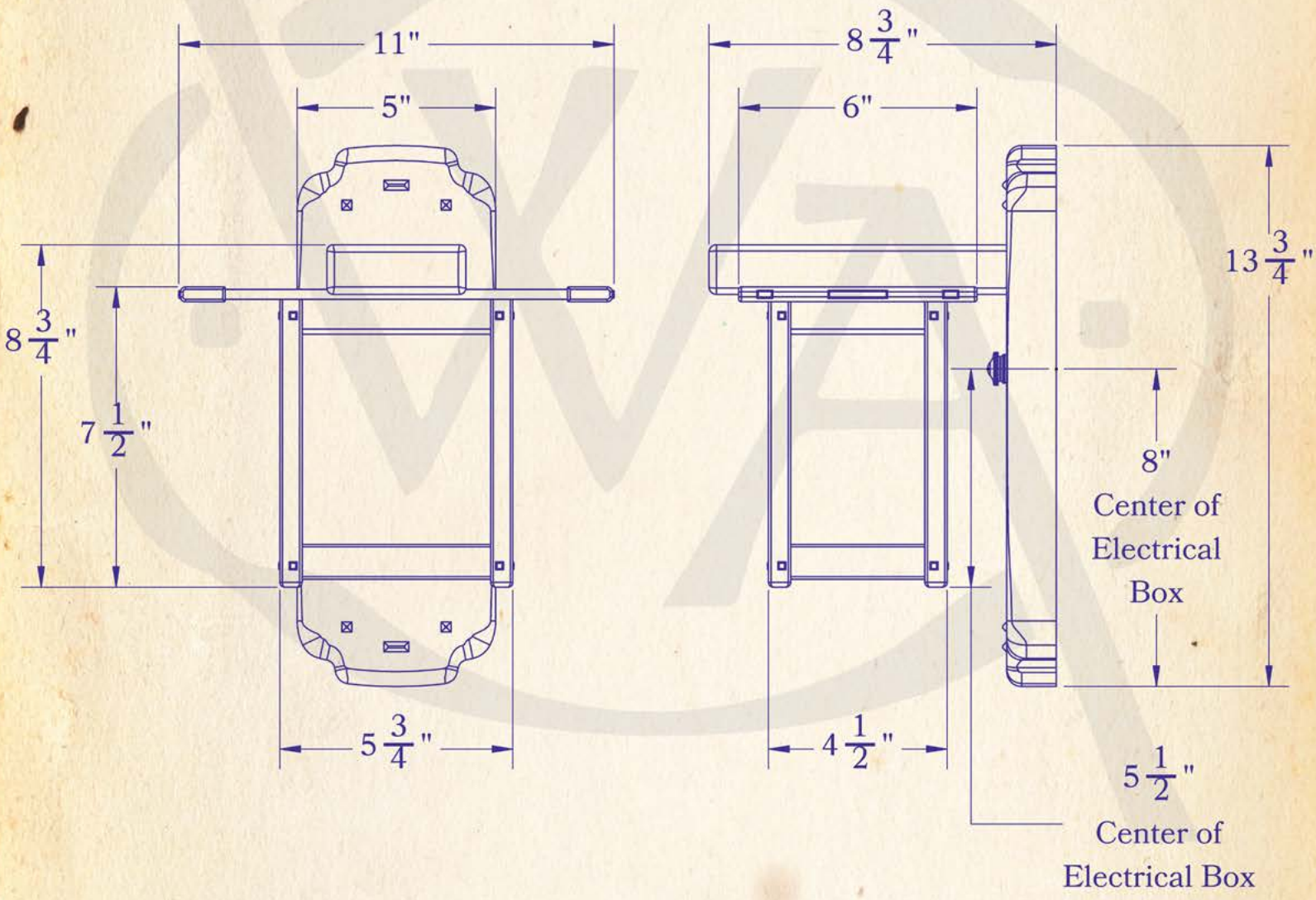
OLD CALIFORNIA

'Where historie & architecture come to lyt'



SMALL BLACKER HOUSE LIBRARY LANTERN

A REPRODUCTION OF THE WOOD AND
ART GLASS WALL SCONCE FROM THE
LIBRARY OF THE BLACKER HOUSE
IN PASADENA, CALIFORNIA • 1907



LAMP BASE	Medium Base (E26)
MAX WATTAGE	60W
VOLTAGE	120V
UL RATING	Dry

TITLE	BLACKER HOUSE Mahogany Wall Mount Lantern
PRODUCT NO.	9012-14

PROPRIETARY AND CONFIDENTIAL
The information contained in this drawing is the sole property of Old California. Any reproduction in part or as a whole without written permission from Old California is prohibited.

DIMENSIONS

Roof Width	11" x 6"
Body Width	5 3/4" x 4 1/2"
Lantern Height	7 1/2"
Height	13 3/4"
Projection	8 3/4"
Mounting Plate	5" x 13 3/4"

ELECTRICAL

UL Rating	Dry
Voltage	120v
Socket Type	Medium Base - E26
Number of Light Bulbs	1
Max Wattage per Bulb	60w
LED Bulb	Supplied
Dimmable	Yes

ADDITIONAL

Manufacturer	Old California
Mounting Location	Interior
Material	Sapele
Bottom Glass Panels	Included

MOUNTING INSTRUCTIONS
AVAILABLE SOON

PLEASE CALL 800.577.6679
FOR OUR CURRENT VERSIONS