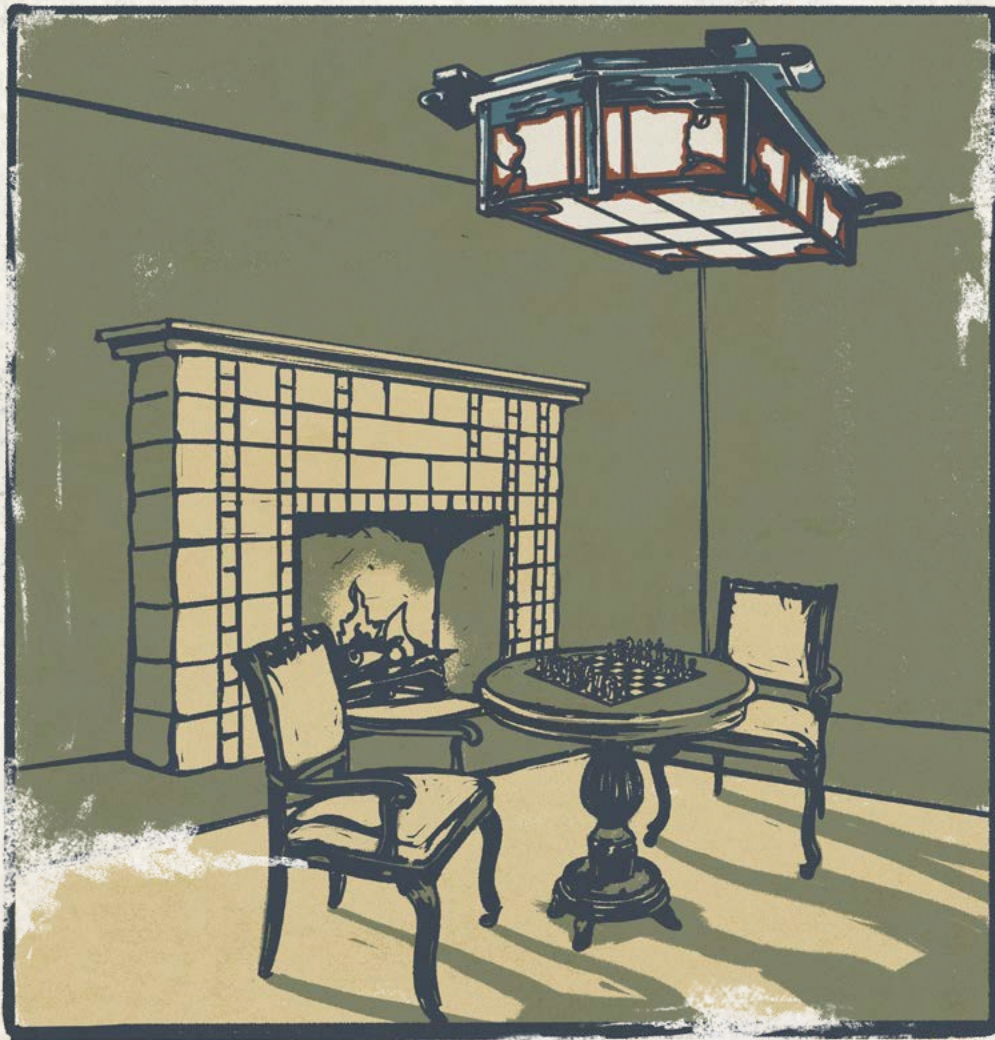


THE WENTWORTH AVENUE COLLECTION

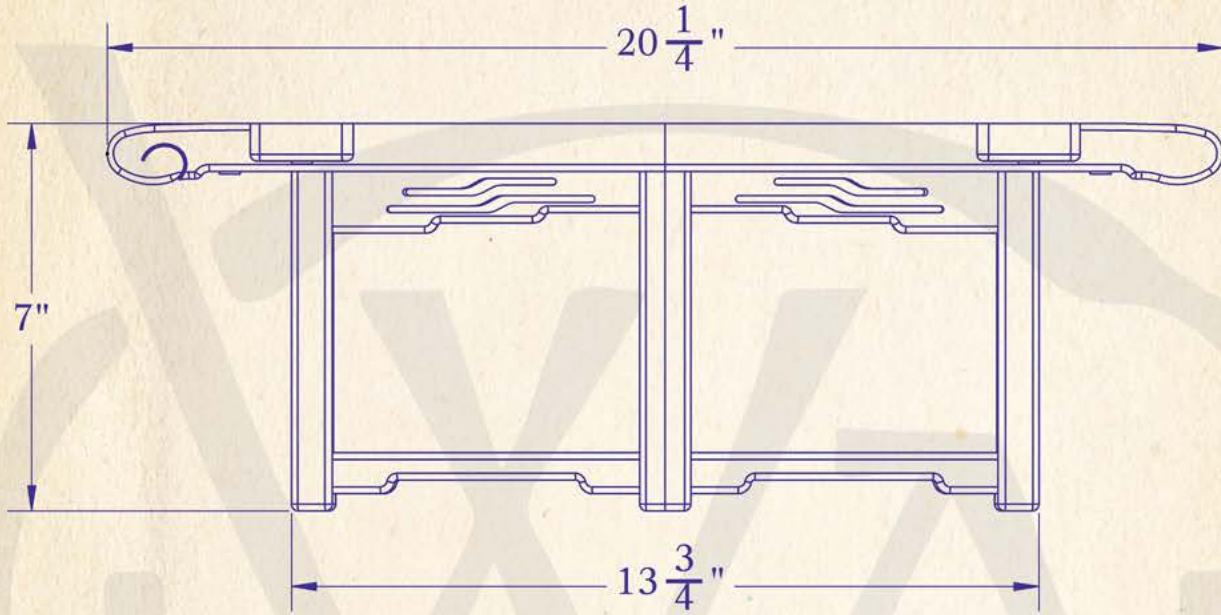
OLD CALIFORNIA

'Where historie & architecture come to lyt'

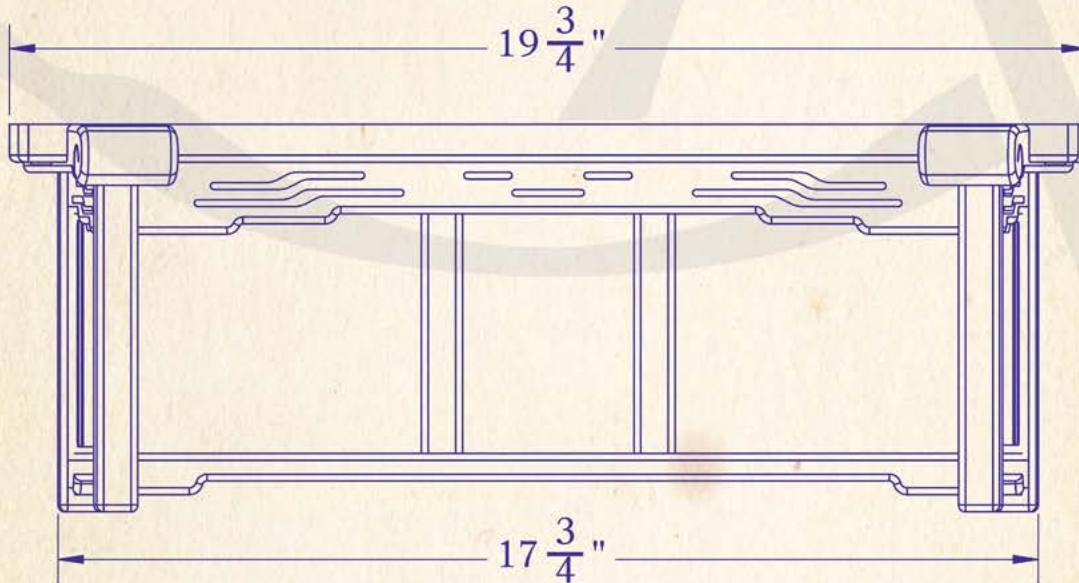


SMALL PRATT HOUSE CEILING LIGHT

REPRODUCTION OF A WOOD AND GLASS
FLUSH CEILING LIGHT DESIGNED BY
GREENE & GREENE FOR THE PRATT
HOUSE IN OJAI, CALIFORNIA • 1909



Front View



Side View

LAMP BASE	Medium Base (E26)	TITLE	PRATT HOUSE Stained Glass Ceiling Light
MAX WATTAGE	2-60W	PRODUCT NO.	9022-5
VOLTAGE	120V		
UL RATING	Dry		

PROPRIETARY AND CONFIDENTIAL
The information contained in this drawing is the sole property of Old California. Any reproduction in part or as a whole without written permission from Old California is prohibited.

DIMENSIONS

Height	7"
Width	20 1/4" x 19 3/4"
Body Width	13 3/4" x 17 3/4"
Mounting Plate	20 1/4" x 19 3/4"

ELECTRICAL

UL Rating	Dry
Voltage	120V
Socket Type	Medium Base - E26
Number of Light Bulbs	2
Max Wattage per Bulb	60w
LED Bulb	Supplied
Dimmable	Yes

ADDITIONAL

Manufacturer	Old California
Mounting Location	Interior Only
Material	Sapele
Bottom Glass Panels	Included

MOUNTING INSTRUCTIONS
AVAILABLE SOON

PLEASE CALL 800.577.6679
FOR OUR CURRENT VERSIONS